



Potent; ZL 2013 3 0051068.9

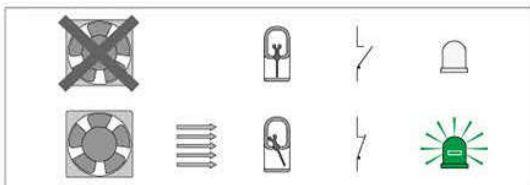
The most simplest way to change the filter mat

When the fan filter install on the cabinet, the traditional way to change the filter mat is very complicated and may take users a few hours. Now the solution is simple, for the LEIPOLE FK99 series, users only need to slide the button to open the cover, change the filter and close it.

The whole process only need to take a few seconds.

Now you can monitor the airflow

The indicator on the filter shows whether the fan is blowing or out of work. It protects electronic components is working under safty climate. Users can choose either normally open or normally close fans under their requirement.



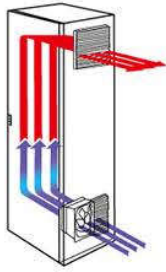
Normally open

Slide to open the cover



FK9922

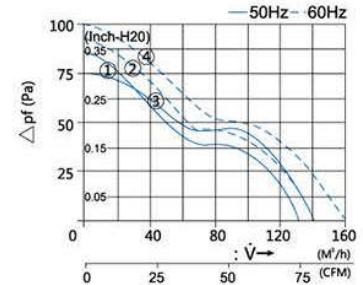
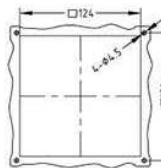
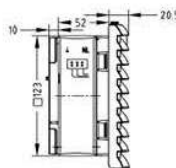
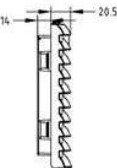
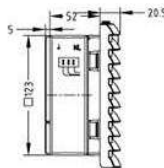
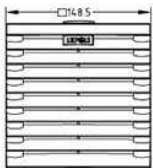
Material	Retardent Rating	IP rating
ABS	UL94-V2	IP54



Patent: ZL 2013 3 0051068.9

RAL7035

Fans and filters FK 9922....	Fans and filters FK 9922.230....	Exit filter FK 9922.300	Fans and filters FK9922.230-120.NO	Drawing FK 9922....	Performance FK 9922....
---------------------------------	-------------------------------------	----------------------------	---------------------------------------	------------------------	----------------------------

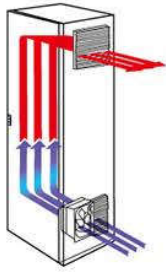


Technical data

Model/Order number	FK9922.230 2023.001	FK9922.115 2023.002	FK9922.024 2023.003
Normally open/close/Order number	FK9922.230-120.NO 2023.004	FK9922.115-120.NO 2023.005	FK9922.024-120.NO 2023.006
Model EMC/Order number	FK9922.230-EMC 2023.052		
Standard fan	F2E-120S-230	F2E-120S-115	F2E-120S-24
Rated voltage (V / Hz)	230/50/60	115/50/60	24 (DC)
Air flow, free blowing	55/66m³/h		
Air flow With export filters	1xFK9922.300:43/50m³/h		
Axial Fan:	Automatically shield pole motor		DC Motor
Rated current (A)	0.12/0.10	0.24/0.20	0.3
Power (W)	19/14	18/15	3.5
Noise level (dB)	50/52		
Service life	70,000 hours at 25°C / 52,000 hours at 50°C		
Operating temperature range	-10°C to +55°C		
Exit filter/Order number	FK9922.300/FK9922.300-EMC 2023.010/2023.053		
Remarks	Special voltage needs can call the inquiry of the Company		

FK9923


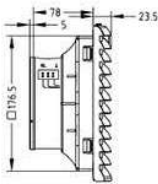
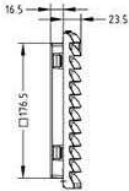
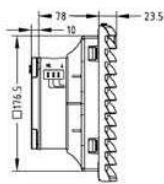
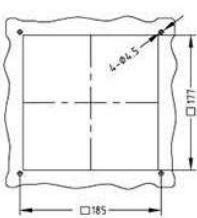
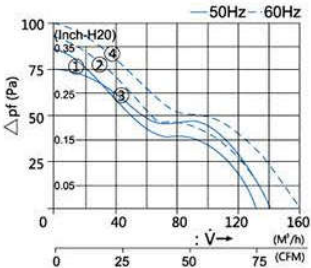
Material	Retardent Rating	IP rating
ABS	UL94-V2	IP54



LEIPOLE

Patent: ZL 2013 3 0051068.9

RAL7035

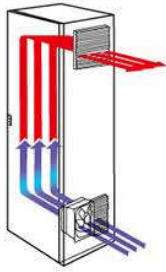
Fans and filters FK 9923.... 	Fans and filters FK 9923.230.... 	Exit filter FK 9923.300 	Fans and filters FK9923.230-120.NO 	Drawing FK 9923.... 	Performance FK 9923.... 
---	---	--	---	---	--

Technical data

Model/Order number	FK9923.230 2023.011	FK9923.115 2023.012	FK9923.024 2023.013
Normally open/close/Order number	FK9923.230-120.NO 2023.014	FK9923.115-120.NO 2023.015	FK9923.024-120.NO 2023.016
Model EMC/Order number	FK9923.230-EMC 2023.054		
Standard fan	F2E-120S-230	F2E-120S-115	F2E-120S-24
Rated voltage (V / Hz)	230/50/60	115/50/60	24 (DC)
Air flow, free blowing	105/120m³/h		
Air flow With export filters	1xFK9923.300:71/82m³/h		
Axial Fan	Automatically shield pole motor		DC Motor
Rated current (A)	0.12/0.10	0.24/0.20	0.3
Power (W)	19/14	18/15	3.5
Noise level (dB)	50/52		
Service life	70,000 hours at 25°C / 49,000 hours at 50°C		
Operating temperature range	-10°C to +55°C		
Exit filter/Order number	FK9923.300/FK9923.300-EMC 2023.020/2023.055		
Remarks	Special voltage needs can call the inquiry of the Company		

FK9925

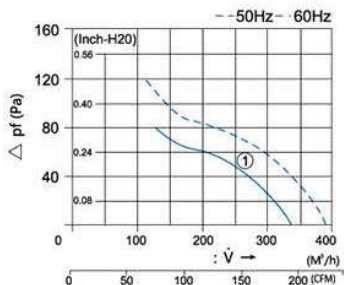
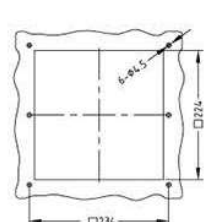
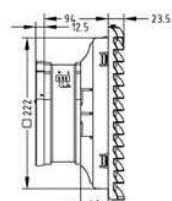
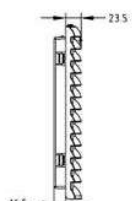
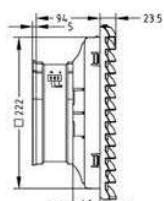
Material	Retardent Rating	IP rating
ABS	UL94-V2	IP54



Patent: ZL 2013 3 0051068.9

RAL7035

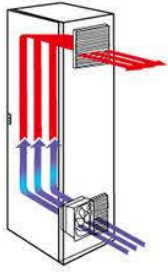
Fans and filters FK 9925....	Fans and filters FK 9925.230....	Exit filter FK 9925.300	Fans and filters FK9925.230-162.NO	Drawing FK 9925....	Performance FK 9925....
---------------------------------	-------------------------------------	----------------------------	---------------------------------------	------------------------	----------------------------



Technical data						
Model/Order number	FK9925.230	2023.021	FK9925.115	2023.022	FK9925.024	2023.023
Normally open/close/Order number	FK9925.230-162.NO	2023.024	FK9925.115-162.NO	2023.025	FK9925.024-162.NO	2023.026
Model EMC/Order number	FK9925.230-EMC	2023.056				
Standard fan	F2E-162B-230		F2E-162B-115		F2E-162B-24-B	
Rated voltage (V / Hz)	230/50/60		115/50/60		24 (DC)	
Air flow, free blowing	230/265m³/h					
Air flow With export filters	1xFK9925.300:170/205m³/h					
Axial Fan:	Automatically shield pole motor				DC Motor	
Rated current (A)	0.26/0.20		0.51/0.42		0.46	
Power (W)	37/33		40/35		14	
Noise level (dB)	48/52					
Service life	70,000 hours at 25°C / 47,700 hours at 50°C					
Operating temperature range	-10°C to +55°C					
Exit filter/Order number	FK9925.300/FK9925.300-EMC					2023.030/2023.057
Remarks	Special voltage needs can call the inquiry of the Company					

FK9926

Material	Retardent Rating	IP rating
ABS	UL94-V2	IP54



Patent: ZL 2013 3 0051068.9
RAL7035

LEIPOLE

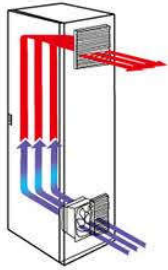
Fans and filters FK 9926....	Fans and filters FK 9926.230....	Exit filter FK 9926.300	Fans and filters FK9926.230-260.NO	Drawing FK 9926....	Performance FK 9926....

Technical data

Model/Order number	FK9926.230 2023.031	FK9926.115 2023.032
Normally open/close/Order number	FK9926.230-260.NO 2023.034	FK9926.115-260.NO 2023.035
Model EMC/Order number	FK9926.230-EMC 2023.058	
Standard fan	F2E-260B-230	F2E-260B-115
Rated voltage (V / Hz)	230/50/60	115/50/60
Air flow, free blowing	500/560m³/h	
Air flow With export filters	1xFK9926.300:360/390m³/h	
Axial Fan	Electric capacitance	
Rated current (A)	0.29/0.33	0.61/0.63
Power (W)	65/77	61/71
Noise level (dB)	62/64	
Service life	70,000 hours at 25°C / 48,000 hours at 50°C	
Operating temperature range	-10°C to +55°C	
Exit filter/Order number	FK9926.300/FK9926.300-EMC 2023.040/2023.059	
Remarks	Special voltage needs can call the inquiry of the Company	

FK9926-D

Material	Retardent Rating	IP rating
ABS	UL94-V2	IP54



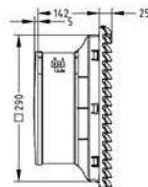
Patent: ZL 2013 3 0051068.9

RAL7035

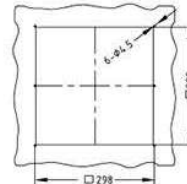
Fans and filters
FK 9926.230-D....



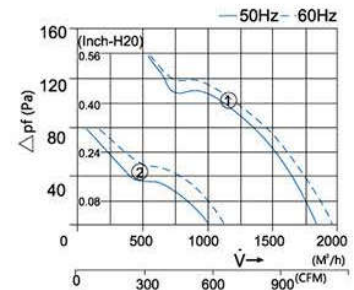
Fans and filters
FK 9926.230-D....



Drawing
FK 9926....



Performance
FK 9926-D....



Technical data

Model/Order number	FK9926.230-D 2023.041	FK9926.115-D 2023.042
Model EMC/Order number	FK9926.230D-EMC 2023.060	
Standard fan	F2E-320B-230	F2E-320B-115
Rated voltage (V / Hz)	230/50/60	115/50/60
Air flow, free blowing	1282.44m³/h	
Air flow With export filters	1xFK9926.300:769/890m³/h 2xFK9926.300:910/1000m³/h	
Axial Fan	Electric capacitance	
Rated current (A)	0.26/0.20	0.51/0.42
Power (W)	37/33	40/35
Noise level (dB)	68/70	
Service life	70,000 hours at 25°C / 48,000 hours at 50°C	
Operating temperature range	-10°C to +55°C	
Exit filter/Order number	FK9926.300/FK9926.300-EMC 2023.040/2023.059	
Remarks	Special voltage needs can call the inquiry of the Company	