

FK-505 Series



EASY and FAST

The automatic screw feeder for enhancing efficiency and productivity.



FEEDKIDS

FK-505 Series (Fixed rail width)

- Supporting many screw and rail variations
 - Applicable screw head shapes
- FK-505: standard screw
FK-505RS: robot-compatible
FK-505 is based on RoHS.

We have purchased the business relating to this product
from Sony EMCS Corporation as of March 31, 2013.

Entrust Corporation

◆Model Line up
Fixed rail width type

Model		Nominal screw sizes M(mm)	Screw length (mm)			Maximum length (mm)
			Minimum length (mm)			
			Single screw	Screw with spring washer	Screw with spring +flat washer	
FK-505 Standard screw	FK-514	M1.4	1.4	-	-	18.0
	FK-517	M1.7	1.6	-	-	
	FK-520	M2.0	1.8	3.0	5.0	
	FK-523 ※	M2.3	2.5	4.0	5.0	
	FK-526	M2.6	2.8	4.0	6.0	
	FK-530	M3.0	3.0	4.0	6.0	
	FK-535 ※	M3.5	3.5	6.8	8.0	
	FK-540	M4.0	4.0	6.8	8.0	
	FK-550	M5.0	5.0	8.0	10.0	
FK-505RS Automatic only	FK-514RS	M1.4	1.4	-	-	
	FK-517RS	M1.7	1.6	-	-	
	FK-520RS	M2.0	1.8	3.0	5.0	
	FK-523RS ※	M2.3	2.5	4.0	5.0	
	FK-526RS	M2.6	2.8	4.0	6.0	
	FK-530RS	M3.0	3.0	4.0	6.0	
	FK-535RS ※	M3.5	3.5	6.8	8.0	
	FK-540RS	M4.0	4.0	6.8	8.0	
	FK-550RS ※	M5.0	5.0	8.0	10.0	

※All products are manufactured upon receipt of orders. For delivery dates, please make inquiries to our sales agents or Entrust Chubu Sales Branch. (unit : mm)

◆Available screw type

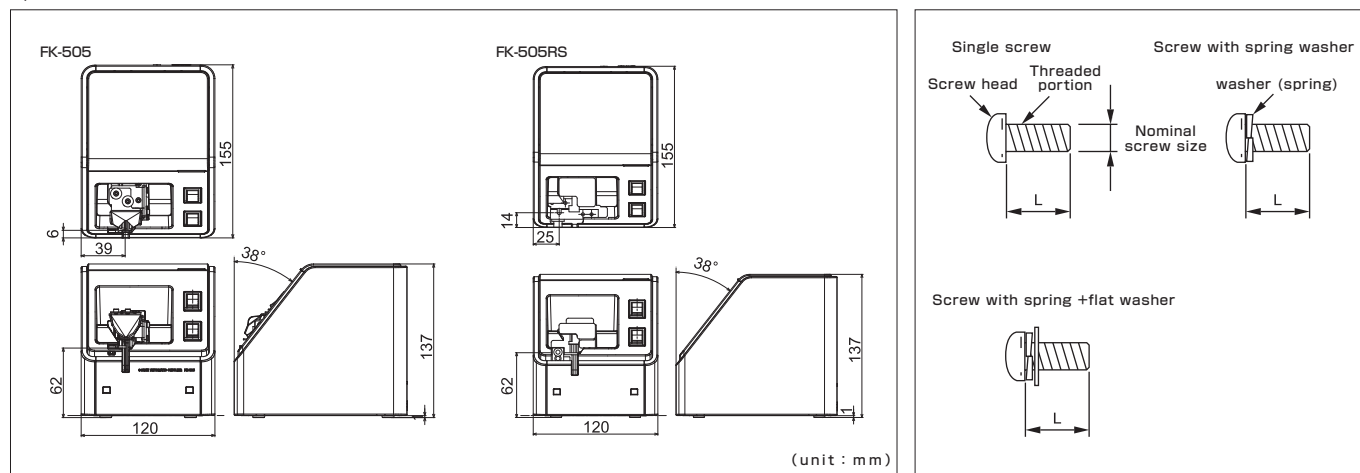
Model	FK-505 Series
Nominal screw sizes M(mm)	9 rail variations(M1.4~M5.0)
Screw type	M type screw, Tapping screw
Shape of screw head(+ shaped screw top)	JCIS : Pan-head-Type1, Type2, Type3 JIS : Pan-head, binding, truss, brazier, flat, pan-head with collar, w/t spring washer, w/t spring washer and washer
Material	Ferrum, or material attaching to magnet

※Caution : Please note no correspondence to the screw other than the above-mentioned.

◆Specifications

FK-505 Series	
Input Voltage	DC12V 200mA
AC adaptor (SQN30W12P-13)	AC100~240V 50/60Hz 12V, 2.5A AC cable (accessory)
DC plug	EIAJ Type
Outside dimensions	120 (W) × 155 (D) × 137 (H) mm
Mass (Main unit only)	FK-505 1.1kg / FK-505RS 1.15kg
Continuous screw supply speed	Approx. 1.5 sec per one screw (+P M3.0×8)
screw transfer method	Inclined rail type
Working environment	+10~+30°C(no condensation), Less than 1,000m above sea level
Storage temperature	-10~+50°C(no condensation)
Noise level	66 dB
Operating Environment	Indoor use only

◆Dimensions



⚠ Safety Precautions : To use the product safely, read and understand the contents of the instruction manual before use.

●Standards, specifications and appearance are subject to change due to continual improvements without prior notice.

●Indicating below is for using in European countries.

This apparatus intended for use in industrial environments. The apparatus shall not be used in the residential, commercial and light- industrial environment. It must not be connected to public power supply systems. It is only intended for use inside industrial power supply network.

Distributor

Entrust Corporation

[Entrust International (Hong Kong) Co., Ltd]

Unit 807, 8/F, Fo Tan Industrial Centre, No.26-28

Au Pui Wan Street, Fo Tan, Shatin, New Territories-Hong Kong

tel. +852-3521-0916 fax. +852-3521-0915

[Head Office]

6F, 1-25-13, Higashigotanda, Shinagawa-ku, Tokyo,

141-0022, Japan

<http://www.entrust-group.co.jp>

The contents of this material are as of April 2013.