

DK1116-1A

目录
Category



A拉手系列
Handles series

B平面锁系列
Plane lock series

C连杆锁系列
Rod control series

D面板锁系列
Plane lock series

E执手锁系列
Handle lock series

F转舌锁系列
Cam lock series

G铰链系列
Hinge series

H搭扣锁系列
Toggle lock series

I门销系列
Door bolt series

J电子锁系列
Electronic lock series

K密封条系列
Gasketing series

L限位系列
Door stop series

M附件系列
Accessories series

N不锈钢系列
Stainless steel series

索引
Index



- 材质：不锈钢
- 表面处理：抛光研磨
- Material: stainless steel
- Finish: Vibrating polishing

DK1116-1G

目录
Category



A拉手系列
Handles series

B平面锁系列
Plane lock series

C连杆锁系列
Rod control series

D面板锁系列
Plane lock series

E执手锁系列
Handle lock series

F转舌锁系列
Cam lock series

G铰链系列
Hinge series

H搭扣锁系列
Toggle lock series

I门销系列
Door bolt series

J电子锁系列
Electronic lock series

K密封条系列
Gasketing series

L限位系列
Door stop series

M附件系列
Accessories series

N不锈钢系列
Stainless steel series

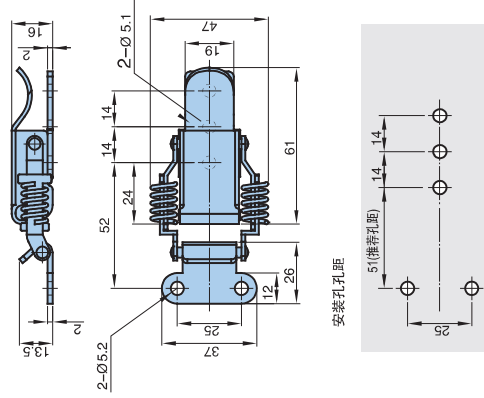
索引
Index



- 材质：不锈钢
- 表面处理：抛光研磨
- Material: stainless steel
- Finish: Vibrating polishing

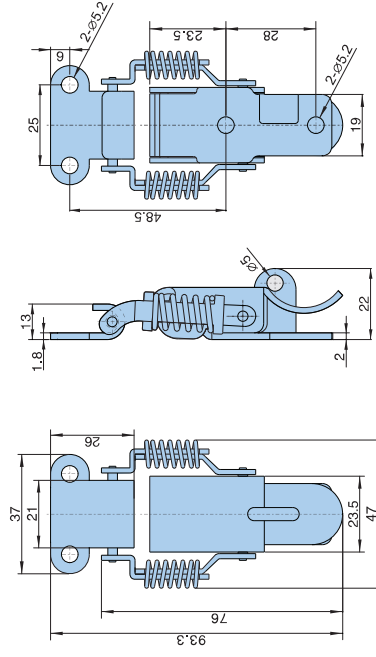
N1105

弹簧搭扣 Spring buckle



型号 Product no.	DK1116-1A	装箱数 Lot	76
产品重量(g) Weight			

弹簧搭扣 Spring buckle

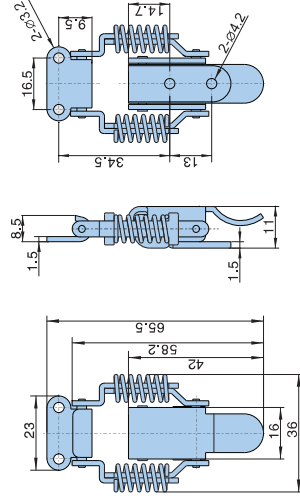


型号 Product no.	DK1116-1G	装箱数 Lot	
产品重量(g) Weight			

益升华恒球 电话(TEL): 400 997 8777

E-mail: Hengzhu@essentra.com

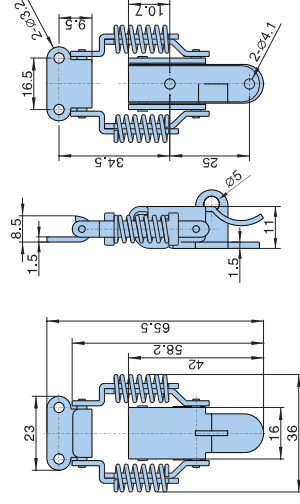
弹簧搭扣 Spring buckle



型号 Product no.	DK1116-2	装箱数 Lot	
产品重量(g) Weight			

- 材质：不锈钢
- 表面处理：抛光研磨
- Material: stainless steel
- Finish: Vibrating polishing

弹簧搭扣 Spring buckle



型号 Product no.	DK1116-2G	装箱数 Lot	
产品重量(g) Weight			

- 材质：不锈钢
- 表面处理：抛光研磨
- Material: stainless steel
- Finish: Vibrating polishing

益升华恒球 电话(TEL): 400 997 8777

E-mail: Hengzhu@essentra.com

N1106

DK1116-2



- 材质：不锈钢
- 表面处理：抛光研磨
- Material: stainless steel
- Finish: Vibrating polishing

DK1116-2G



- 材质：不锈钢
- 表面处理：抛光研磨
- Material: stainless steel
- Finish: Vibrating polishing

N1106