

CR series

Pilot lamp

● Suffix code

Model	Code	Description
CR-	<input type="checkbox"/> <input type="checkbox"/> <input type="checkbox"/> <input type="checkbox"/> <input type="checkbox"/>	CR series indicator
Installing dimension	25	Ø25
	30	Ø30
Type classification	2	Pilot lamp (Transformer attached type)
	1	Pilot lamp (Without voltage dropping unit : 24 V d.c/a.c)
Power supply voltage	0	24 V d.c/a.c
	1	110 V a.c
	2	220 V a.c
	3	380 V a.c
	4	440 V a.c
Light source selection	L	LED (luminescent diode)
		Incandescent lamp
Cap color	R	Red
	G	Green
	Y	Yellow
	B	Blue
	W	White

Control switch
Combination display light

Power switch
Main switch
Cam switch

Limit switch
Micro switch

Hoist switch
Foot switch
Mono lever switch

Sign tower
Signal light

Buzzer
Terminal block
Fuse holder

Control box
Cable connector

Discontinued Products

● Specification

■ Transformer attached type

Model	Installing dimension	Lamp voltage (Trans attached)		Color of lamp cap
		1st voltage	2nd voltage	
CR-252-1	Ø25	110 V a.c	6.3 V a.c	Red, green, yellow, blue and white
CR-252-2		220 V a.c		
CR-252-3		380 V a.c		
CR-252-4		440 V a.c		
CR-302-1	Ø30	110 V a.c	6.3 V a.c	Red, green, yellow, blue and white
CR-302-2		220 V a.c		
CR-302-3		380 V a.c		
CR-302-4		440 V a.c		

■ Without voltage dropping unit


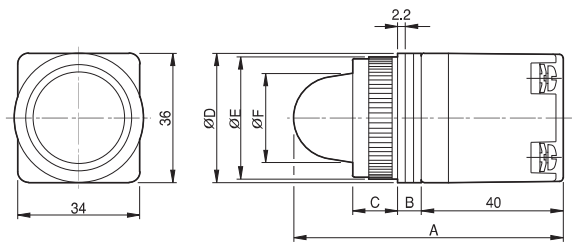

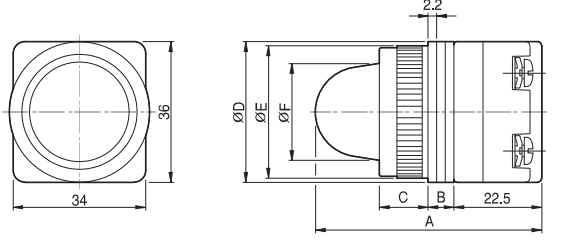
Model	Installing dimension	Power supply voltage	Color of lamp cap
CR-2510	Ø25	24 V d.c/a.c	red, green, yellow, blue, white
CR-3010	Ø30	24 V d.c/a.c	red, green, yellow, blue, white

* In case of the pilot lamp without voltage dropping unit, please refer to the "incandescent lamp and LED specification"

●● Incandescent lamp and LED specification

Classification	Incandescent lamp	LED (luminescent diode)		
		Red	Green	Yellow
Colors	transparent			
Rated current	6,3 V 150 mA	6 V 2,94 mA	6 V 9,6 mA	6 V 29,4 mA
	24 V 40 mA	24 V 10,2 mA	24 V 10,8 mA	24 V 10,2 mA
	110 V 18 mA	110 V 6,0 mA	110 V 4,6 mA	110 V 6,0 mA
	220 V 14 mA	220 V 4,7 mA	220 V 5,1 mA	220 V 4,7 mA
Base rating	E10 (screw type)			

●● Dimension (unit : mm)

Model	Design	Dimension																					
CR-252 (Ø25) CR-302 (Ø30) Transformer attached type		 <table border="1"> <thead> <tr> <th>Model</th> <th>A</th> <th>B</th> <th>C</th> <th>D</th> <th>E</th> <th>F</th> </tr> </thead> <tbody> <tr> <td>CR-252</td> <td>70</td> <td>6</td> <td>13</td> <td>31,5</td> <td>29,5</td> <td>20</td> </tr> <tr> <td>CR-302</td> <td>73</td> <td>7,5</td> <td>12,5</td> <td>36,5</td> <td>34</td> <td>25</td> </tr> </tbody> </table>	Model	A	B	C	D	E	F	CR-252	70	6	13	31,5	29,5	20	CR-302	73	7,5	12,5	36,5	34	25
Model	A	B	C	D	E	F																	
CR-252	70	6	13	31,5	29,5	20																	
CR-302	73	7,5	12,5	36,5	34	25																	
CR-2510 (Ø25) CR-3010 (Ø30) Without voltage dropping unit		 <table border="1"> <thead> <tr> <th>Model</th> <th>A</th> <th>B</th> <th>C</th> <th>D</th> <th>E</th> <th>F</th> </tr> </thead> <tbody> <tr> <td>CR-2510</td> <td>54</td> <td>6</td> <td>13</td> <td>31,5</td> <td>29,5</td> <td>20</td> </tr> <tr> <td>CR-3010</td> <td>57</td> <td>7,5</td> <td>12,5</td> <td>31,5</td> <td>34</td> <td>25</td> </tr> </tbody> </table>	Model	A	B	C	D	E	F	CR-2510	54	6	13	31,5	29,5	20	CR-3010	57	7,5	12,5	31,5	34	25
Model	A	B	C	D	E	F																	
CR-2510	54	6	13	31,5	29,5	20																	
CR-3010	57	7,5	12,5	31,5	34	25																	