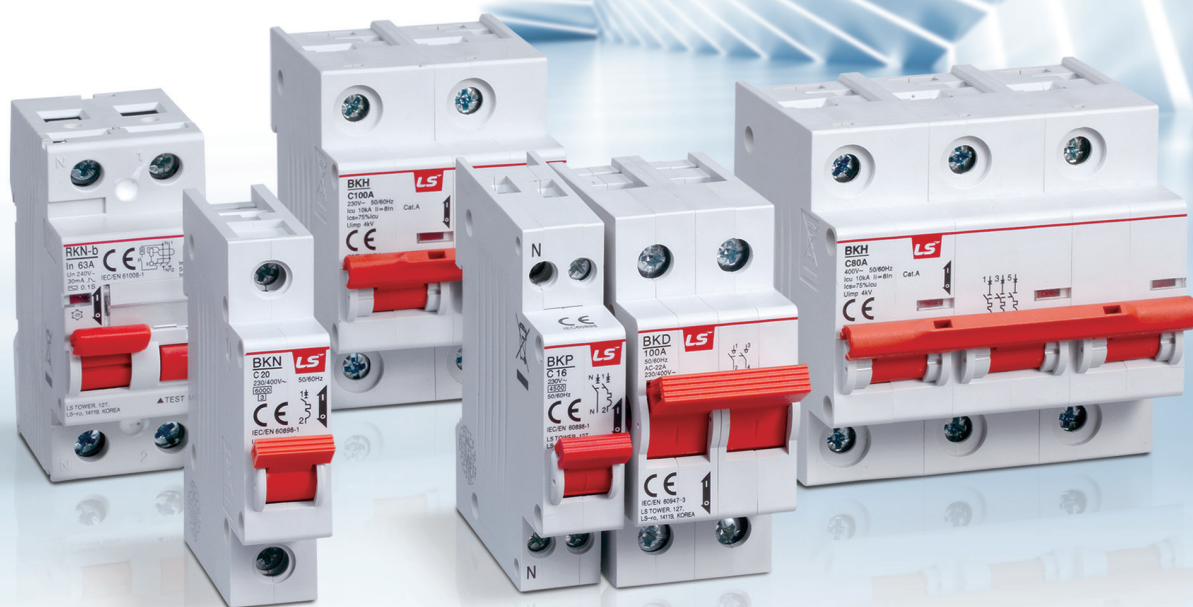


Derwent  
Top 100  
Global  
Innovator  
2020

# Miniature Circuit Breakers & Residual Current Devices



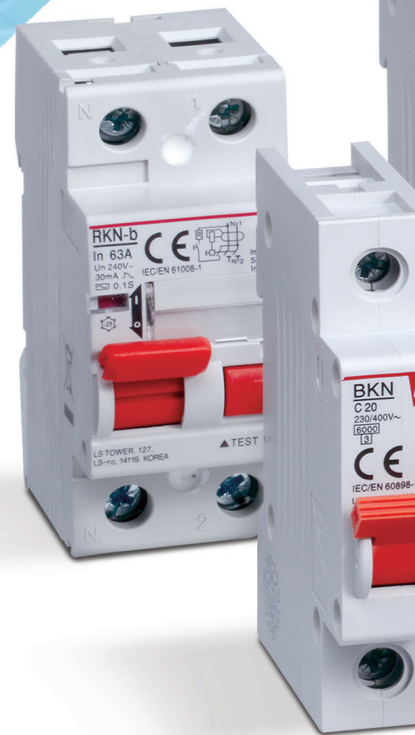
**LS** ELECTRIC

# MCB & RCCB

Miniature Circuit Breakers & Residual Current Devices

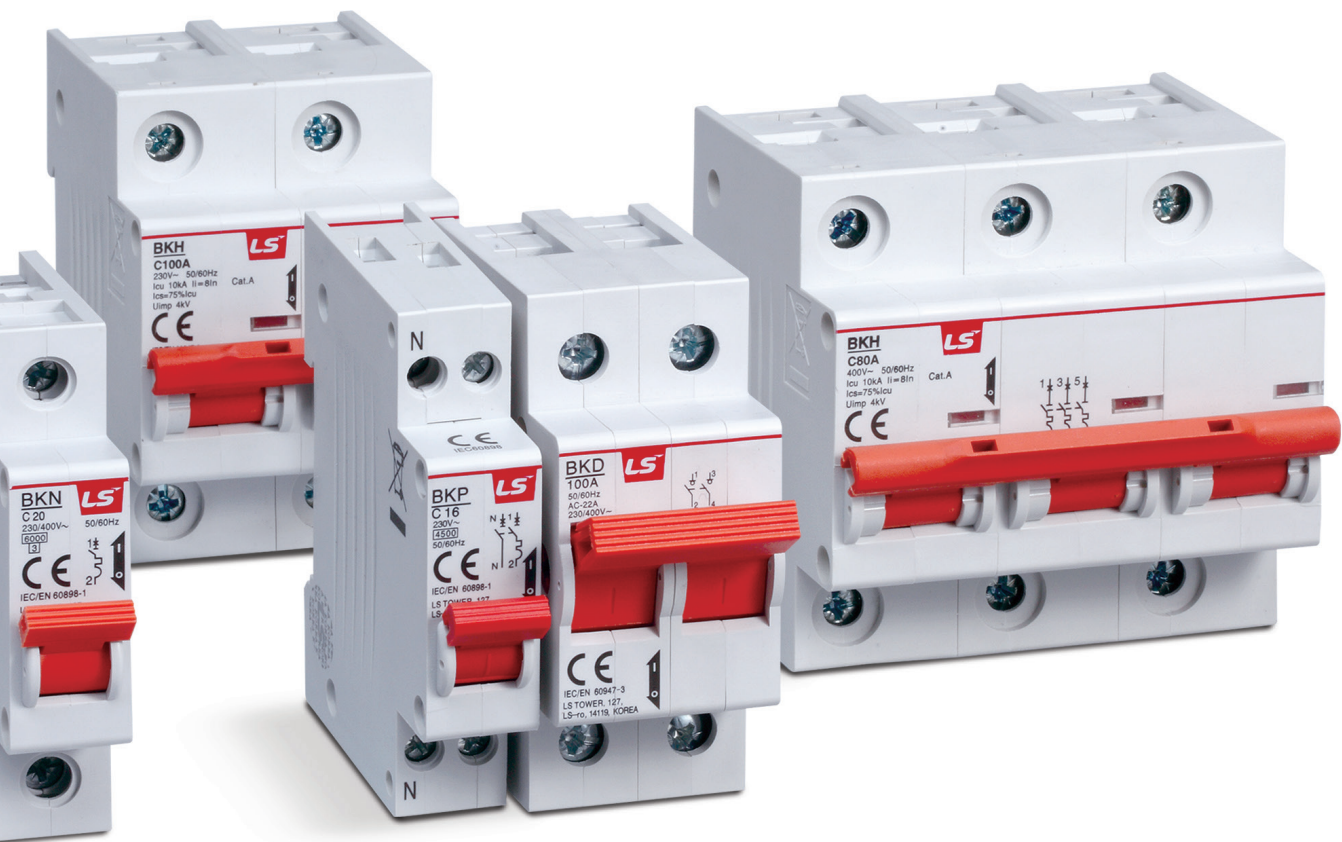
The best solution for perfect safety environment,  
customer satisfaction through best quality and service,  
LS produces the world's best products.

Suitable for protection against overload & short circuit(BKN, BKH, BKP, BF series)  
ground fault & over circuit(RKP, RKS) ground fault(RKN) surge protect device(BKS)  
1, 2, 3, 4 poles & isolator 35mm DIN rail mounting & Plug-in types rated voltage  
230/400V characteristics: B, C, D according to IEC 60898-1 for MCB accessories:  
auxiliary switch CE, KEMA, SEMKO, CQC/CCC, SABS, SASO, GOST, UL1077, SNI



## Contents



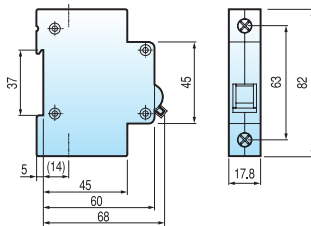
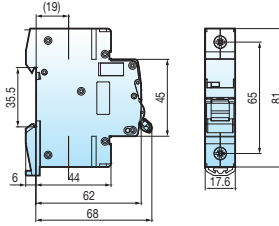
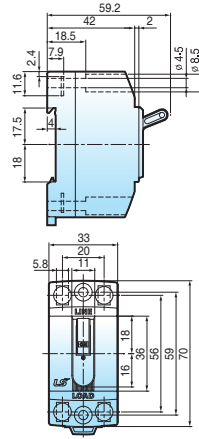
- 04 Quick selection table
- 08 Main characteristics
  - 08 MCB-Miniature Circuit Breakers
  - 32 RCBO-Residual Current Circuit Breakers with Overcurrent protection
  - 43 RCCB-Residual Current Circuit Breakers
  - 47 Isolator
  - 48 60mm depth Miniature Circuit Breakers
  - 50 Standard busbars
- 51 Characteristics curves & temperature compensation
- 54 Overall dimensions



# Miniature Circuit Breakers

## 1, 2, 3 and 4 pole series up to 125AF [IEC 60898-1, IEC 60947-2]



| Type                                  | MCB  |                            |  |                            |   |                   |  |
|---------------------------------------|--|----------------------------|--|----------------------------|---|-------------------|--|
|                                       | BKN  | BKN-c                      | BKN-b  |                            | BS32c   | BS32d             |  |
| Protection                            | Overload and short circuit   |                            | Overload and short circuit   |                            | Overload and short circuit  |                   |  |
| Rated current                         | 1, 2, 3, 4, 6, 10, 13, 16, 20, 25, 32, 40, 50, 63A   |                            | 1, 2, 3, 4, 6, 10, 16, 20, 25, 32, 40, 50, 63A   |                            | 6, 10, 15, 20, 30A  | 10, 15, 20, 30A   |  |
| Characteristic                        | B, C, D curve  | B, C, curve                | B, C, D curve  |                            | -   | -                 |  |
| Poles                                 | 1P, 1P+N, 2P, 3P, 3P+N, 4P   | 1P, 2P, 3P, 4P             | 1P, 1P+N, 2P, 3P, 3P+N, 4P   |                            | -   | -                 |  |
| Breaking capacity                     | 1pole  | 2~4pole                    | 1pole  | 2~4pole                    | 2pole   |                   |  |
|                                       | 1A ~ 63A<br>6kA at 230/400VAC  | 1A ~ 63A<br>6kA at 400VAC  | 1A ~ 63A<br>10kA at 240/415VAC   | 1A ~ 63A<br>10kA at 415VAC | 1.5kA   | 2.5kA             |  |
| Standard                              | IEC 60898-1  |                            | IEC 60898-1, IEC 60947-2   |                            | IEC 60898-1, KS   |                   |  |
| Approval                              | CCC, SABS, SEMKO CB  | SEMKO CB                   | KEMA CB, SABS, CE  |                            | CCC   | -                 |  |
| Type of trip                          | Thermal magnetic release   |                            | Thermal magnetic release   |                            | -   | -                 |  |
| Endurance                             | Electrical   | 4,000 operations           |  | 4,000 operations           |   | 4,000 operations  |  |
|                                       | Mechanical   | 10,000 operations          |  | 10,000 operations          |   | 10,000 operations |  |
| Mount                                 | On 35mm DIN rail   |                            | On 35mm DIN rail   |                            | DIN rail / Screw  |                   |  |
| Width                                 | 17.8mm per pole  |                            | 17.8mm per pole  |                            | 33mm per pole   |                   |  |
| Terminal                              | Lug type<br>(Cable up to 25mm <sup>2</sup> )   | Dual type<br>(Lug & Screw) | Lug type (Cable up to 25mm <sup>2</sup> )  |                            | Screw clamp type<br>(Cable up to 5.5mm <sup>2</sup> )                                 |                   |  |
| Auxiliary switch, AX & AL<br>Optional |  <p>1 changeover contact<br/>6A at 240VAC, 3A at 415VAC (AX)<br/>6A at 230VAC, 3A at 415VAC (AL)<br/>2A at 48VDC, 1A at 125VDC<br/>Lug terminal<br/>Cable capacity 2.5mm<sup>2</sup><br/>9mm wide<br/>*Only for BKN</p> |                            |  <p>1 changeover contact<br/>6A at 240VAC, 3A at 415VAC (AX/ AL)<br/>6A at 24VDC, 2A at 48VDC, 1A at 130VDC<br/>Lug terminal<br/>Cable capacity 0.75~2.5mm<sup>2</sup><br/>8.8mm wide</p> |                            |   |                   |  |
| Dimension                             |   |                            |    |                            |  |                   |  |
| Characteristic curve                  | See page 49  |                            | See page 49  |                            | -   |                   |  |
| Remarks                               | -  |                            | -  |                            | -   |                   |  |



|  |  | MCB  |   |   |  |
|--|--|--|---|---|--|
|  |  | BKH  | BKP                                       | BF-a  | BFN  |
|  |  | Overload and short circuit                                     | Overload and short circuit                | Overload and short circuit                        | Overload and short circuit                             |
|  |  | 63, 80, 100, 125A  | 3, 6, 10, 16, 20, 25, 32A                 | 10~100A   | 5, 10, 15, 20, 30, 40, 50A                             |
|  |  | C, D curve   | B, C, D curve                             | -   | -  |
|  |  | 1P, 2P, 3P, 3P+N, 4P   | 1P+N                                      | 1p, 2p, 3p  | 1p, 2p, 3p   |
|  |  | 1pole      2~4pole   | -   | -   | 1pole      2~3pole                                     |
|  |  | 63A ~ 125A<br>10kA at 230VAC      63A ~ 125A<br>10kA at 400VAC | 3A ~ 32A<br>4.5kA at 230VAC               | 10A~100A<br>10kA at 240VAC<br>2.5kA at 415VAC     | 5A~50A<br>10kA at 230VAC      5A~50A<br>10kA at 400VAC |
|  |  | IEC 60947-2  | IEC 60898-1                               | IEC 60947-2                                       | IEC 60947-2  |
|  |  | CCC, SEMKO CB, SABS, CE  | CCC, SEMKO CB, SABS, CE                   | -   | SEMKO CB, CE   |
|  |  | Thermal magnetic release                                       | Thermal magnetic release                  | Thermal magnetic release                          | Thermal magnetic release                               |
|  |  | 1,500 operations   | 4,000 operations                          | 1,500 operations                                  | 1,500 operations                                       |
|  |  | 10,000 operations  | 10,000 operations                         | 10,000 operations                                 | 10,000 operations                                      |
|  |  | On 35mm DIN rail   | On 35mm DIN rail                          | Holder mounting<br>(Bolt on with fixing brackets) | Plug-in  |
|  |  | 27mm per pole  | 17.8mm                                    | 25mm per pole                                     | 25mm per pole  |
|  |  | Lug type (Cable up to 50mm <sup>2</sup> )                      | Lug type (Cable up to 10mm <sup>2</sup> ) | Clamp type  | Lug type (14-6 AWG.)                                   |
|  |  |  |   |   |  |
|  |  | See page 49<br>IEC 60947-2 (SABS)                              | See page 49<br>-                          | See page 50<br>-                                  | See page 51<br>-                                       |

# Residual Current Circuit Breakers

## 1, 2 and 4pole series up to 125AF



| Type                               | RCBO   |   |                  |   |                  |   |
|------------------------------------|--|---|------------------|---|------------------|---|
|                                    | RKP  | RKS   | RKS-b            | RKJ   | RKJ-b            |   |
| Protection                         | Ground fault and overcurrent                           | Ground fault and overcurrent                    |                  | Ground fault and overcurrent                                    |                  | Ground fault and overcurrent              |
| Rated current                      | 3 (C, D curve), 6, 10, 16, 20, 25, 32A (B, C, D curve) | 6, 10, 16, 20, 25, 32A (40, 50A) * (B, C curve) |                  | 1, 2, 3, 4, 5, 6, 10, 16, 20, 25, 32, 40, 50, 63(B, C, D curve) |                  | 6, 10, 16, 20, 25, 32A (B, C curve)       |
| Rated residual current             | -  | -   |                  | -   |                  | -   |
| Operating, $I_{\Delta n}$          | 30, 100, 300mA (Non-adjustable)                        | 30, 100mA (Non-adjustable)                      |                  | 30, 100, 300mA (Non-adjustable)                                 |                  | 10, 30mA (Non-adjustable)                 |
| Non-operating, $I_{\Delta no}$     | 0.5 $I_{\Delta n}$                                     | 0.5 $I_{\Delta n}$                              |                  | 0.5 $I_{\Delta n}$  |                  | 0.5 $I_{\Delta n}$                        |
| Poles                              | 1P+N   | 1P+N  |                  | 1P+N, 2P, 3P, 3P+N, 4P  |                  | 1P+N                                      |
| Rated voltage                      | 230VAC   | 230VAC  | 240VAC           | 230VAC  |                  | 240VAC                                    |
| Residual current off-time          | ≤0.1 sec.  | ≤0.3 sec.                                       |                  | ≤0.1 sec.   |                  | ≤0.1 sec                                  |
| Standard                           | IEC 61009  | IEC 61009                                       |                  | IEC61009-1  |                  | IEC 61009                                 |
| Approval                           | CCC, SEMKO CB, CE, SABS                                | SEMKO CB, CE, SABS                              | SEMKO CB, CE     | SEMKO CB  |                  | SEMKO CB, CE                              |
| Type of trip                       | -  | -   |                  | -   |                  | -   |
| Ground fault                       | Electronic   | Electronic                                      |                  | Electro-magnetic  |                  | Electronic                                |
| Overcurrent                        | Thermal-magnetic                                       | Thermal-magnetic                                |                  | Thermal-magnetic  |                  | Thermal-magnetic                          |
| Breaking capacity                  | 4.5kA  | 10kA  |                  | 6kA   | 10kA             | 6kA (32A 4.5kA)                           |
| Conditional short circuit capacity | -  | -   |                  | -   |                  | -   |
| Endurance                          | Electrical   | 4,000 operations                                |                  | 4,000 operations  |                  | 4,000 operations                          |
|                                    | Mechanical   | 10,000 operations                               |                  | 10,000 operations   |                  | 10,000 operations                         |
| Mount                              | On 35mm DIN rail                                       |   | On 35mm DIN rail |   | On 35mm DIN rail |   |
| Width                              | 35.6mm   | 18mm  |                  | 17.8mm  |                  | 18mm                                      |
| Terminal                           | Lug type (Cable up to 10mm <sup>2</sup> )              | Lug type (Cable up to 10mm <sup>2</sup> )       |                  | Lug type (Cable up to 25mm <sup>2</sup> )                       |                  | Lug type (Cable up to 10mm <sup>2</sup> ) |
| Type of operation                  | AC   | AC  |                  | A/AC  |                  | A/AC                                      |
| Dimension                          |  |   |                  |   |                  |   |
| Characteristic curve               | See page 49  | See page 49                                     |                  |   |                  | -   |

\* 40, 50A are available only for RKS-b



|  | RCBO  |       |   | RCCB                  |   |                     | Isolator                                    |                           |
|--|---|-------|---|-----------------------|---|---------------------|---|---------------------------|
|  | 32GRC   | 32GRd | 32GRh   | RKN                   | RKN-b                                     |                     | BKD   |                           |
|  | Ground fault and overcurrent                          |       | Ground fault and overcurrent                          |                       | Ground fault                              |                     | -   |                           |
|  | 15, 20, 30A   |       | N type<br>15, 20, 30A                                 | S type<br>15, 20, 30A | 25, 32, 40, 63A                           | 63AF<br>25, 40, 63A | 100AF<br>80, 100A                           | 40, 50, 63, 80, 100, 125A |
|  | -   |       | -   |                       | -   |                     | -   |                           |
|  | 15, 30mA (Non-adjustable)                             |       | 15, 30mA (Non-adjustable)                             |                       | 30, 100, 300mA (Non-adjustable)           |                     | -   |                           |
|  | 0.5I <sub>Δn</sub>                                    |       | 0.5I <sub>Δn</sub>                                    |                       | 0.5I <sub>Δn</sub>                        |                     | -   |                           |
|  | 2pole   |       | 2pole   |                       | 1P+N, 3P+N                                |                     | 1p, 2p, 3p, 4p                              |                           |
|  | 110/240VAC  |       | 110/220/230VAC  |                       | 240VAC (1P+N), 240/415V (3P+N)            |                     | 230/400VAC                                  |                           |
|  | ≤0.03 sec   |       | ≤0.03 sec   |                       | ≤0.1 sec                                  |                     | -   |                           |
|  | IEC 61009, KS   |       | CB(IEC60947/IEC61009-1)                               |                       | IEC 61008                                 |                     | IEC 60947-3                                 |                           |
|  | CCC   |       | -   |                       | SEMKO CB, CE, SABS, CCC                   | SEMKO CB, CE, SABS  | SABS, SEMKO CB                              |                           |
|  | -   |       | -   |                       | -   |                     | -   |                           |
|  | Electronic  |       | Electronic  |                       | Electro-magnetic                          |                     | -   |                           |
|  | Bimetallic  |       | Bimetallic  |                       | N.A.                                      |                     | -   |                           |
|  | 1.5kA   | 2.5kA | 1.5kA   | 2.5kA                 | 3.5kA                                     | -                   | -   |                           |
|  | -   |       | -   |                       | 6kA                                       | 10kA                | -   |                           |
|  | 4,000 operations                                      |       | 4,000 operations                                      |                       | 4,000 operations                          |                     | 1,500 operations<br>(125A 1,000 operations) |                           |
|  | 10,000 operations                                     |       | 10,000 operations                                     |                       | 10,000 operations                         |                     | 10,000 operations                           |                           |
|  | On 35mm DIN rail / Screw<br>35mm                      |       | On 35mm DIN rail / Screw<br>32mm                      |                       | On 35mm DIN rail<br>-                     |                     | On 35mm DIN rail<br>17.8mm per pole         |                           |
|  | Screw clamp type<br>(Cable up to 5.5mm <sup>2</sup> ) |       | Screw clamp type<br>(Cable up to 5.5mm <sup>2</sup> ) |                       | Lug type (Cable up to 35mm <sup>2</sup> ) |                     | Lug type (Cable up to 50mm <sup>2</sup> )   |                           |
|  | -   |       | -   |                       | A/AC                                      | A/AC                | AC  |                           |
|  |   |       |   |                       |   |                     |   |                           |

# Miniature Circuit Breakers

## DIN rail mounting

### BKP type

CE 4500

CE  
Certificate



BKP 1P+N

#### Technical data

|  |                                |
|--|--------------------------------|
| Standard                               | Confirming to IEC 60898-1      |
| Approval                               | CCC, SEMKO CB, CE, SABS        |
| Protection                             | Overload and short circuit     |
| Rated current                          | 3, 6, 10, 16, 20, 25, 32A      |
| Rated voltage                          | 230VAC                         |
| Breaking capacity                      | 4.5kA                          |
| Characteristic                         | B, C, D curve                  |
| Number of poles                        | 1P+N                           |
| Rated insulation voltage [Ui]          | 500V                           |
| Rated impulse withstand voltage [Uimp] | 4kV                            |
| Type of trip                           | Thermal magnetic release       |
| Type of terminal                       | Lug type                       |
| Terminal capacity                      | Cables up to 10mm <sup>2</sup> |
| Installation                           | Mounting on 35mm DIN rail      |
| Width                                  | 17.8mm per pole                |
| Electrical endurance                   | 4,000 operations               |

#### Order No.

| Pole | Type    | In  | Model    | Order No.  | Pack. unit (Pcs.) | Price |  |
|------|---------|-----|----------|------------|-------------------|-------|--|
| 1P+N | B curve | 3A  | BKP B3A  | 06120302R0 | 120               |       |  |
|      |         | 6A  | BKP B6A  | 06120228R0 | 120               |       |  |
|      |         | 10A | BKP B10A | 06120229R0 | 120               |       |  |
|      |         | 16A | BKP B16A | 06120230R0 | 120               |       |  |
|      |         | 20A | BKP B20A | 06120231R0 | 120               |       |  |
|      |         | 25A | BKP B25A | 06120303R0 | 120               |       |  |
|      | C curve | 3A  | BKP C3A  | 06120307R0 | 120               |       |  |
|      |         | 6A  | BKP C6A  | 06120235R0 | 120               |       |  |
|      |         | 10A | BKP C10A | 06120236R0 | 120               |       |  |
|      |         | 16A | BKP C16A | 06120237R0 | 120               |       |  |
|      |         | 20A | BKP C20A | 06120238R0 | 120               |       |  |
|      |         | 25A | BKP C25A | 06120309R0 | 120               |       |  |
|      | D curve | 3A  | BKP D3A  | 06120308R0 | 120               |       |  |
|      |         | 6A  | BKP D6A  | 06120242R0 | 120               |       |  |
|      |         | 10A | BKP D10A | 06120243R0 | 120               |       |  |
|      |         | 16A | BKP D16A | 06120244R0 | 120               |       |  |
|      |         | 20A | BKP D20A | 06120245R0 | 120               |       |  |
|      |         | 25A | BKP D25A | 06120311R0 | 120               |       |  |
|      |         |     | 32A      | BKP D32A   | 06120246R0        | 120   |  |





BKN 2P

## BKN type



### Technical data

|  |  |                  |
|--|--|------------------|
| Standard                               | Confirming to IEC 60898-1                              |                  |
| Approval                               | CCC, SABS, SEMKO CB, CE                                |                  |
| Protection                             | Against overload and short circuit                     |                  |
| Rated current                          | 1, 2, 3, 4, 6, 10, 13, 16, 20, 25, 32, 40, 50, 63A     |                  |
| Rated voltage                          | 1pole 230/400VAC 50/60Hz<br>2, 3, 4pole 400VAC 50/60Hz |                  |
| Breaking capacity                      | 6kA  |                  |
| Characteristic                         | B, C, D curve  |                  |
| Number of poles                        | 1P, 1P+N, 2P, 3P, 3P+N and 4P                          |                  |
| Rated insulation voltage [Ui]          | 500V   |                  |
| Rated impulse withstand voltage [Uimp] | 4kV  |                  |
| Type of trip                           | Thermal-magnetic release                               |                  |
| Type of terminal                       | Lug type   |                  |
| Terminal capacity                      | Cables up to 25mm <sup>2</sup>                         |                  |
| Installation                           | Mounting on 35mm DIN rail                              |                  |
| Width                                  | 17.8mm per pole  |                  |
| Electrical endurance                   | —  |                  |
| In                                     | 1 ... 32A  | 40 ... 63A       |
| Endurance                              | 4,000 operations                                       | 4,000 operations |
| Max. frequency (Cycles/hour)           | 240  | 120              |

### Optional accessories ... Auxiliary switch, AX



|                   |  |   |
|-------------------|--|---|
| Composition       | Consists of 1 changeover contact           |   |
| Rating            | AC circuit<br>6A at 240VAC<br>3A at 415VAC | DC circuit<br>2A at 48VDC<br>1A at 125VDC |
| Type of terminal  | Lug type                                   |   |
| Terminal capacity | Cables up to 2.5mm <sup>2</sup>            |   |
| Width             | 9mm  |   |

### Optional accessories ... Auxiliary switch, AL



|                   |  |   |
|-------------------|--|---|
| Composition       | Consists of 1 changeover contact           |   |
| Rating            | AC circuit<br>6A at 230VAC<br>3A at 415VAC | DC circuit<br>2A at 48VDC<br>1A at 125VDC |
| Type of terminal  | Lug type                                   |   |
| Terminal capacity | Cables up to 2.5mm <sup>2</sup>            |   |
| Width             | 9mm  |   |

Attach to the left side of BKN. Possible to attach only one AX or AL.

### Optional accessories ... Shunt trip device, SHT



|                       |                    |
|-----------------------|--------------------|
| Rated voltage (Ue)    | AC 24V, AC110-415V |
| Operate voltage range | 70-100% Ue         |
| Width                 | 18mm               |

### Optional accessories ... Over/Under voltage trip device, OVT/OVT



|                              |          |
|------------------------------|----------|
| Rated Voltage (Ue)           | AC 230V  |
| Over-voltage tripping range  | 280V ±5% |
| Under-voltage tripping range | 170V ±5% |
| Width                        | 18mm     |

Attach to the right side of BKN. Possible to attach only one SHUNT or OVT/OVT.  
SHT or OVT accessory are not tripped when zero voltage.

# Miniature Circuit Breakers DIN rail mounting

## BKN type, B curve



### 6kA at 230/400VAC



BKN 1P

| In  | Model       | Order No.  | Pack. unit (Pcs.) | Price |
|-----|-------------|------------|-------------------|-------|
| 1A  | BKN 1P B1A  | 06110086R0 | 120               |       |
| 2A  | BKN 1P B2A  | 06110087R0 | 120               |       |
| 3A  | BKN 1P B3A  | 06110088R0 | 120               |       |
| 4A  | BKN 1P B4A  | 06110089R0 | 120               |       |
| 6A  | BKN 1P B6A  | 06110090R0 | 120               |       |
| 10A | BKN 1P B10A | 06110091R0 | 120               |       |
| 13A | BKN 1P B13A | 06112094R0 | 120               |       |
| 16A | BKN 1P B16A | 06110092R0 | 120               |       |
| 20A | BKN 1P B20A | 06110093R0 | 120               |       |
| 25A | BKN 1P B25A | 06110094R0 | 120               |       |
| 32A | BKN 1P B32A | 06110095R0 | 120               |       |
| 40A | BKN 1P B40A | 06110096R0 | 120               |       |
| 50A | BKN 1P B50A | 06110097R0 | 120               |       |
| 63A | BKN 1P B63A | 06110098R0 | 120               |       |

### 6kA at 230/400VAC



BKN 1P+N

| In  | Model         | Order No.  | Pack. unit (Pcs.) | Price |
|-----|---------------|------------|-------------------|-------|
| A   | BKN 1P+N B1A  | 06120250R0 | 60                |       |
| 2A  | BKN 1P+N B2A  | 06120251R0 | 60                |       |
| 3A  | BKN 1P+N B3A  | 06120252R0 | 60                |       |
| 4A  | BKN 1P+N B4A  | 06120253R0 | 60                |       |
| 6A  | BKN 1P+N B6A  | 06120254R0 | 60                |       |
| 10A | BKN 1P+N B10A | 06120255R0 | 60                |       |
| 13A | BKN 1P+N B13A | 06122285R0 | 60                |       |
| 16A | BKN 1P+N B16A | 06120256R0 | 60                |       |
| 20A | BKN 1P+N B20A | 06120257R0 | 60                |       |
| 25A | BKN 1P+N B25A | 06120258R0 | 60                |       |
| 32A | BKN 1P+N B32A | 06120259R0 | 60                |       |
| 40A | BKN 1P+N B40A | 06120260R0 | 60                |       |
| 50A | BKN 1P+N B50A | 06120261R0 | 60                |       |
| 63A | BKN 1P+N B63A | 06120262R0 | 60                |       |

### 6kA at 400VAC



BKN 2P

| In  | Model       | Order No.  | Pack. unit (Pcs.) | Price |
|-----|-------------|------------|-------------------|-------|
| 1A  | BKN 2P B1A  | 06120263R0 | 60                |       |
| 2A  | BKN 2P B2A  | 06120264R0 | 60                |       |
| 3A  | BKN 2P B3A  | 06120265R0 | 60                |       |
| 4A  | BKN 2P B4A  | 06120266R0 | 60                |       |
| 6A  | BKN 2P B6A  | 06120267R0 | 60                |       |
| 10A | BKN 2P B10A | 06120268R0 | 60                |       |
| 13A | BKN 2P B13A | 06122288R0 | 60                |       |
| 16A | BKN 2P B16A | 06120269R0 | 60                |       |
| 20A | BKN 2P B20A | 06120270R0 | 60                |       |
| 25A | BKN 2P B25A | 06120271R0 | 60                |       |
| 32A | BKN 2P B32A | 06120272R0 | 60                |       |
| 40A | BKN 2P B40A | 06120273R0 | 60                |       |
| 50A | BKN 2P B50A | 06120274R0 | 60                |       |
| 63A | BKN 2P B63A | 06120275R0 | 60                |       |

## BKN type, B curve



### 6kA at 400VAC



BKN 3P

| In  | Model       | Order No.  | Pack. unit (Pcs.) | Price |
|-----|-------------|------------|-------------------|-------|
| 1A  | BKN 3P B1A  | 06130066R0 | 40                |       |
| 2A  | BKN 3P B2A  | 06130067R0 | 40                |       |
| 3A  | BKN 3P B3A  | 06130068R0 | 40                |       |
| 4A  | BKN 3P B4A  | 06130069R0 | 40                |       |
| 6A  | BKN 3P B6A  | 06130070R0 | 40                |       |
| 10A | BKN 3P B10A | 06130071R0 | 40                |       |
| 13A | BKN 3P B13A | 06130963R0 | 40                |       |
| 16A | BKN 3P B16A | 06130072R0 | 40                |       |
| 20A | BKN 3P B20A | 06130073R0 | 40                |       |
| 25A | BKN 3P B25A | 06130074R0 | 40                |       |
| 32A | BKN 3P B32A | 06130075R0 | 40                |       |
| 40A | BKN 3P B40A | 06130076R0 | 40                |       |
| 50A | BKN 3P B50A | 06130077R0 | 40                |       |
| 63A | BKN 3P B63A | 06130078R0 | 40                |       |



BKN 3P+N

### 6kA at 400VAC

| In  | Model         | Order No.  | Pack. unit (Pcs.) | Price |
|-----|---------------|------------|-------------------|-------|
| 1A  | BKN 3P+N B1A  | 06140133R0 | 30                |       |
| 2A  | BKN 3P+N B2A  | 06140134R0 | 30                |       |
| 3A  | BKN 3P+N B3A  | 06140135R0 | 30                |       |
| 4A  | BKN 3P+N B4A  | 06140136R0 | 30                |       |
| 6A  | BKN 3P+N B6A  | 06140137R0 | 30                |       |
| 10A | BKN 3P+N B10A | 06140138R0 | 30                |       |
| 13A | BKN 3P+N B13A | 06141773R0 | 30                |       |
| 16A | BKN 3P+N B16A | 06140139R0 | 30                |       |
| 20A | BKN 3P+N B20A | 06140140R0 | 30                |       |
| 25A | BKN 3P+N B25A | 06140141R0 | 30                |       |
| 32A | BKN 3P+N B32A | 06140142R0 | 30                |       |
| 40A | BKN 3P+N B40A | 06140143R0 | 30                |       |
| 50A | BKN 3P+N B50A | 06140144R0 | 30                |       |
| 63A | BKN 3P+N B63A | 06140145R0 | 30                |       |



BKN 4P

### 6kA at 400VAC

| In  | Model       | Order No.  | Pack. unit (Pcs.) | Price |
|-----|-------------|------------|-------------------|-------|
| 1A  | BKN 4P B1A  | 06140146R0 | 30                |       |
| 2A  | BKN 4P B2A  | 06140147R0 | 30                |       |
| 3A  | BKN 4P B3A  | 06140148R0 | 30                |       |
| 4A  | BKN 4P B4A  | 06140149R0 | 30                |       |
| 6A  | BKN 4P B6A  | 06140150R0 | 30                |       |
| 10A | BKN 4P B10A | 06140151R0 | 30                |       |
| 13A | BKN 4P B13A | 06141776R0 | 30                |       |
| 16A | BKN 4P B16A | 06140152R0 | 30                |       |
| 20A | BKN 4P B20A | 06140153R0 | 30                |       |
| 25A | BKN 4P B25A | 06140154R0 | 30                |       |
| 32A | BKN 4P B32A | 06140155R0 | 30                |       |
| 40A | BKN 4P B40A | 06140156R0 | 30                |       |
| 50A | BKN 4P B50A | 06140157R0 | 30                |       |
| 63A | BKN 4P B63A | 06140158R0 | 30                |       |



### Auxiliary switch 1c contact

| In | Model     | Order No.  | Pack. unit (Pcs.) | Price |
|----|-----------|------------|-------------------|-------|
| 6A | BKN-AX-6A | 06150002R0 |                   |       |
| 6A | BKN-AL-6A | 06150004R0 |                   |       |

# Miniature Circuit Breakers

## DIN rail mounting

### BKN type, C curve



#### 6kA at 230/400VAC



BKN 1P

| In  | Model       | Order No.  | Pack. unit (Pcs.) | Price |
|-----|-------------|------------|-------------------|-------|
| 1A  | BKN 1P C1A  | 06110070R0 | 120               |       |
| 2A  | BKN 1P C2A  | 06110071R0 | 120               |       |
| 3A  | BKN 1P C3A  | 06110072R0 | 120               |       |
| 4A  | BKN 1P C4A  | 06110073R0 | 120               |       |
| 6A  | BKN 1P C6A  | 06110074R0 | 120               |       |
| 10A | BKN 1P C10A | 06110075R0 | 120               |       |
| 13A | BKN 1P C13A | 06112095R0 | 120               |       |
| 16A | BKN 1P C16A | 06110076R0 | 120               |       |
| 20A | BKN 1P C20A | 06110077R0 | 120               |       |
| 25A | BKN 1P C25A | 06110078R0 | 120               |       |
| 32A | BKN 1P C32A | 06110079R0 | 120               |       |
| 40A | BKN 1P C40A | 06110080R0 | 120               |       |
| 50A | BKN 1P C50A | 06110081R0 | 120               |       |
| 63A | BKN 1P C63A | 06110082R0 | 120               |       |

#### 6kA at 230/400VAC



BKN 1P+N

| In  | Model         | Order No.  | Pack. unit (Pcs.) | Price |
|-----|---------------|------------|-------------------|-------|
| A   | BKN 1P+N C1A  | 06120200R0 | 60                |       |
| 2A  | BKN 1P+N C2A  | 06120201R0 | 60                |       |
| 3A  | BKN 1P+N C3A  | 06120202R0 | 60                |       |
| 4A  | BKN 1P+N C4A  | 06120203R0 | 60                |       |
| 6A  | BKN 1P+N C6A  | 06120204R0 | 60                |       |
| 10A | BKN 1P+N C10A | 06120205R0 | 60                |       |
| 13A | BKN 1P+N C13A | 06122286R0 | 60                |       |
| 16A | BKN 1P+N C16A | 06120206R0 | 60                |       |
| 20A | BKN 1P+N C20A | 06120207R0 | 60                |       |
| 25A | BKN 1P+N C25A | 06120208R0 | 60                |       |
| 32A | BKN 1P+N C32A | 06120209R0 | 60                |       |
| 40A | BKN 1P+N C40A | 06120210R0 | 60                |       |
| 50A | BKN 1P+N C50A | 06120211R0 | 60                |       |
| 63A | BKN 1P+N C63A | 06120212R0 | 60                |       |

#### 6kA at 400VAC



BKN 2P

| In  | Model       | Order No.  | Pack. unit (Pcs.) | Price |
|-----|-------------|------------|-------------------|-------|
| 1A  | BKN 2P C1A  | 06120213R0 | 60                |       |
| 2A  | BKN 2P C2A  | 06120214R0 | 60                |       |
| 3A  | BKN 2P C3A  | 06120215R0 | 60                |       |
| 4A  | BKN 2P C4A  | 06120216R0 | 60                |       |
| 6A  | BKN 2P C6A  | 06120217R0 | 60                |       |
| 10A | BKN 2P C10A | 06120218R0 | 60                |       |
| 13A | BKN 2P C13A | 06122289R0 | 60                |       |
| 16A | BKN 2P C16A | 06120219R0 | 60                |       |
| 20A | BKN 2P C20A | 06120220R0 | 60                |       |
| 25A | BKN 2P C25A | 06120221R0 | 60                |       |
| 32A | BKN 2P C32A | 06120222R0 | 60                |       |
| 40A | BKN 2P C40A | 06120223R0 | 60                |       |
| 50A | BKN 2P C50A | 06120224R0 | 60                |       |
| 63A | BKN 2P C63A | 06120225R0 | 60                |       |

## BKN type, C curve



BKN 3P

### 6kA at 400VAC

| In  | Model       | Order No.  | Pack. unit (Pcs.) | Price |
|-----|-------------|------------|-------------------|-------|
| 1A  | BKN 3P C1A  | 06130050R0 | 40                |       |
| 2A  | BKN 3P C2A  | 06130051R0 | 40                |       |
| 3A  | BKN 3P C3A  | 06130052R0 | 40                |       |
| 4A  | BKN 3P C4A  | 06130053R0 | 40                |       |
| 6A  | BKN 3P C6A  | 06130054R0 | 40                |       |
| 10A | BKN 3P C10A | 06130055R0 | 40                |       |
| 13A | BKN 3P C13A | 06130964R0 | 40                |       |
| 16A | BKN 3P C16A | 06130056R0 | 40                |       |
| 20A | BKN 3P C20A | 06130057R0 | 40                |       |
| 25A | BKN 3P C25A | 06130058R0 | 40                |       |
| 32A | BKN 3P C32A | 06130059R0 | 40                |       |
| 40A | BKN 3P C40A | 06130060R0 | 40                |       |
| 50A | BKN 3P C50A | 06130061R0 | 40                |       |
| 63A | BKN 3P C63A | 06130062R0 | 40                |       |



BKN 3P+N

### 6kA at 400VAC

| In  | Model         | Order No.  | Pack. unit (Pcs.) | Price |
|-----|---------------|------------|-------------------|-------|
| 1A  | BKN 3P+N C1A  | 06140104R0 | 30                |       |
| 2A  | BKN 3P+N C2A  | 06140105R0 | 30                |       |
| 3A  | BKN 3P+N C3A  | 06140106R0 | 30                |       |
| 4A  | BKN 3P+N C4A  | 06140107R0 | 30                |       |
| 6A  | BKN 3P+N C6A  | 06140108R0 | 30                |       |
| 10A | BKN 3P+N C10A | 06140109R0 | 30                |       |
| 13A | BKN 3P+N C13A | 06141774R0 | 30                |       |
| 16A | BKN 3P+N C16A | 06140110R0 | 30                |       |
| 20A | BKN 3P+N C20A | 06140111R0 | 30                |       |
| 25A | BKN 3P+N C25A | 06140112R0 | 30                |       |
| 32A | BKN 3P+N C32A | 06140113R0 | 30                |       |
| 40A | BKN 3P+N C40A | 06140114R0 | 30                |       |
| 50A | BKN 3P+N C50A | 06140115R0 | 30                |       |
| 63A | BKN 3P+N C63A | 06140116R0 | 30                |       |



BKN 4P

### 6kA at 400VAC

| In  | Model       | Order No.  | Pack. unit (Pcs.) | Price |
|-----|-------------|------------|-------------------|-------|
| 1A  | BKN 4P C1A  | 06140117R0 | 30                |       |
| 2A  | BKN 4P C2A  | 06140118R0 | 30                |       |
| 3A  | BKN 4P C3A  | 06140119R0 | 30                |       |
| 4A  | BKN 4P C4A  | 06140120R0 | 30                |       |
| 6A  | BKN 4P C6A  | 06140121R0 | 30                |       |
| 10A | BKN 4P C10A | 06140122R0 | 30                |       |
| 13A | BKN 4P C13A | 06141777R0 | 30                |       |
| 16A | BKN 4P C16A | 06140123R0 | 30                |       |
| 20A | BKN 4P C20A | 06140124R0 | 30                |       |
| 25A | BKN 4P C25A | 06140125R0 | 30                |       |
| 32A | BKN 4P C32A | 06140126R0 | 30                |       |
| 40A | BKN 4P C40A | 06140127R0 | 30                |       |
| 50A | BKN 4P C50A | 06140128R0 | 30                |       |
| 63A | BKN 4P C63A | 06140129R0 | 30                |       |



### Auxiliary switch 1c contact

| In | Model     | Order No.  | Pack. unit (Pcs.) | Price |
|----|-----------|------------|-------------------|-------|
| 6A | BKN-AX-6A | 06150002R0 | —                 |       |
| 6A | BKN-AL-6A | 06150004R0 | —                 |       |

# Miniature Circuit Breakers DIN rail mounting

## BKN type, D curve

CE **6000**  
**3**

### 6kA at 230/400VAC



BKN 1P

| In  | Model       | Order No.  | Pack. unit (Pcs.) | Price |
|-----|-------------|------------|-------------------|-------|
| 1A  | BKN 1P D1A  | 06110099R0 | 120               |       |
| 2A  | BKN 1P D2A  | 06110100R0 | 120               |       |
| 3A  | BKN 1P D3A  | 06110101R0 | 120               |       |
| 4A  | BKN 1P D4A  | 06110102R0 | 120               |       |
| 6A  | BKN 1P D6A  | 06110103R0 | 120               |       |
| 10A | BKN 1P D10A | 06110104R0 | 120               |       |
| 13A | BKN 1P D13A | 06112096R0 | 120               |       |
| 16A | BKN 1P D16A | 06110105R0 | 120               |       |
| 20A | BKN 1P D20A | 06110106R0 | 120               |       |
| 25A | BKN 1P D25A | 06110107R0 | 120               |       |
| 32A | BKN 1P D32A | 06110108R0 | 120               |       |
| 40A | BKN 1P D40A | 06110109R0 | 120               |       |
| 50A | BKN 1P D50A | 06110110R0 | 120               |       |
| 63A | BKN 1P D63A | 06110111R0 | 120               |       |



BKN 1P+N

### 6kA at 230/400VAC

| In  | Model         | Order No.  | Pack. unit (Pcs.) | Price |
|-----|---------------|------------|-------------------|-------|
| 1A  | BKN 1P+N D1A  | 06120276R0 | 60                |       |
| 2A  | BKN 1P+N D2A  | 06120277R0 | 60                |       |
| 3A  | BKN 1P+N D3A  | 06120278R0 | 60                |       |
| 4A  | BKN 1P+N D4A  | 06120279R0 | 60                |       |
| 6A  | BKN 1P+N D6A  | 06120280R0 | 60                |       |
| 10A | BKN 1P+N D10A | 06120281R0 | 60                |       |
| 13A | BKN 1P+N D13A | 06122287R0 | 60                |       |
| 16A | BKN 1P+N D16A | 06120282R0 | 60                |       |
| 20A | BKN 1P+N D20A | 06120283R0 | 60                |       |
| 25A | BKN 1P+N D25A | 06120284R0 | 60                |       |
| 32A | BKN 1P+N D32A | 06120285R0 | 60                |       |
| 40A | BKN 1P+N D40A | 06120286R0 | 60                |       |
| 50A | BKN 1P+N D50A | 06120287R0 | 60                |       |
| 63A | BKN 1P+N D63A | 06120288R0 | 60                |       |



BKN 2P

### 6kA at 400VAC

| In  | Model       | Order No.  | Pack. unit (Pcs.) | Price |
|-----|-------------|------------|-------------------|-------|
| 1A  | BKN 2P D1A  | 06120289R0 | 60                |       |
| 2A  | BKN 2P D2A  | 06120290R0 | 60                |       |
| 3A  | BKN 2P D3A  | 06120291R0 | 60                |       |
| 4A  | BKN 2P D4A  | 06120292R0 | 60                |       |
| 6A  | BKN 2P D6A  | 06120293R0 | 60                |       |
| 10A | BKN 2P D10A | 06120294R0 | 60                |       |
| 13A | BKN 2P D13A | 06122290R0 | 60                |       |
| 16A | BKN 2P D16A | 06120295R0 | 60                |       |
| 20A | BKN 2P D20A | 06120296R0 | 60                |       |
| 25A | BKN 2P D25A | 06120297R0 | 60                |       |
| 32A | BKN 2P D32A | 06120298R0 | 60                |       |
| 40A | BKN 2P D40A | 06120299R0 | 60                |       |
| 50A | BKN 2P D50A | 06120300R0 | 60                |       |
| 63A | BKN 2P D63A | 06120301R0 | 60                |       |

## BKN type, D curve



BKN 3P

### 6kA at 400VAC

| In  | Model       | Order No.  | Pack. unit (Pcs.) | Price |
|-----|-------------|------------|-------------------|-------|
| 1A  | BKN 3P D1A  | 06130079R0 | 40                |       |
| 2A  | BKN 3P D2A  | 06130080R0 | 40                |       |
| 3A  | BKN 3P D3A  | 06130081R0 | 40                |       |
| 4A  | BKN 3P D4A  | 06130082R0 | 40                |       |
| 6A  | BKN 3P D6A  | 06130083R0 | 40                |       |
| 10A | BKN 3P D10A | 06130084R0 | 40                |       |
| 13A | BKN 3P D13A | 06130965R0 | 40                |       |
| 16A | BKN 3P D16A | 06130085R0 | 40                |       |
| 20A | BKN 3P D20A | 06130086R0 | 40                |       |
| 25A | BKN 3P D25A | 06130087R0 | 40                |       |
| 32A | BKN 3P D32A | 06130088R0 | 40                |       |
| 40A | BKN 3P D40A | 06130089R0 | 40                |       |
| 50A | BKN 3P D50A | 06130090R0 | 40                |       |
| 63A | BKN 3P D63A | 06130091R0 | 40                |       |



BKN 3P+N

### 6kA at 400VAC

| In  | Model         | Order No.  | Pack. unit (Pcs.) | Price |
|-----|---------------|------------|-------------------|-------|
| 1A  | BKN 3P+N D1A  | 06140159R0 | 30                |       |
| 2A  | BKN 3P+N D2A  | 06140160R0 | 30                |       |
| 3A  | BKN 3P+N D3A  | 06140161R0 | 30                |       |
| 4A  | BKN 3P+N D4A  | 06140162R0 | 30                |       |
| 6A  | BKN 3P+N D6A  | 06140163R0 | 30                |       |
| 10A | BKN 3P+N D10A | 06140164R0 | 30                |       |
| 13A | BKN 3P+N D13A | 06141775R0 | 30                |       |
| 16A | BKN 3P+N D16A | 06140165R0 | 30                |       |
| 20A | BKN 3P+N D20A | 06140166R0 | 30                |       |
| 25A | BKN 3P+N D25A | 06140167R0 | 30                |       |
| 32A | BKN 3P+N D32A | 06140168R0 | 30                |       |
| 40A | BKN 3P+N D40A | 06140169R0 | 30                |       |
| 50A | BKN 3P+N D50A | 06140170R0 | 30                |       |
| 63A | BKN 3P+N D63A | 06140171R0 | 30                |       |



BKN 4P

### 6kA at 400VAC

| In  | Model       | Order No.  | Pack. unit (Pcs.) | Price |
|-----|-------------|------------|-------------------|-------|
| 1A  | BKN 4P D1A  | 06140172R0 | 30                |       |
| 2A  | BKN 4P D2A  | 06140173R0 | 30                |       |
| 3A  | BKN 4P D3A  | 06140174R0 | 30                |       |
| 4A  | BKN 4P D4A  | 06140175R0 | 30                |       |
| 6A  | BKN 4P D6A  | 06140176R0 | 30                |       |
| 10A | BKN 4P D10A | 06140177R0 | 30                |       |
| 13A | BKN 4P D13A | 06141778R0 | 30                |       |
| 16A | BKN 4P D16A | 06140178R0 | 30                |       |
| 20A | BKN 4P D20A | 06140179R0 | 30                |       |
| 25A | BKN 4P D25A | 06140180R0 | 30                |       |
| 32A | BKN 4P D32A | 06140181R0 | 30                |       |
| 40A | BKN 4P D40A | 06140182R0 | 30                |       |
| 50A | BKN 4P D50A | 06140183R0 | 30                |       |
| 63A | BKN 4P D63A | 06140184R0 | 30                |       |



### Auxiliary switch 1c contact

| In | Model     | Order No.  | Pack. unit (Pcs.) | Price |
|----|-----------|------------|-------------------|-------|
| 6A | BKN-AX-6A | 06150002R0 |                   |       |
| 6A | BKN-AL-6A | 06150004R0 |                   |       |

# Miniature Circuit Breakers

## DIN rail mounting

CE  
Certificate  
Patent  
protection



BKN-b 2P

### BKN-b type (High rupturing capacity)



#### Technical data

|  |  |                  |
|--|--|------------------|
| Standard                               | Confirming to IEC 60898-1, IEC 60947-2                 |                  |
| Approval                               | KEMA CB, SABS, CE                                      |                  |
| Protection                             | Against overload and short circuit                     |                  |
| Rated current                          | 1, 2, 3, 4, 6, 10, 16, 20, 25, 32, 40, 50, 63A         |                  |
| Rated voltage                          | 1pole 240/415VAC 50/60Hz<br>2, 3, 4pole 415VAC 50/60Hz |                  |
| Ambient temperature                    | -5°C to +40°C pursuant to IEC 60898-1                  |                  |
| Breaking capacity                      | 10kA   |                  |
| Characteristic                         | B, C, D curve  |                  |
| Number of poles                        | 1P, 1P+N, 2P, 3P, 3P+N and 4P                          |                  |
| Rated insulation voltage [Ui]          | 500V   |                  |
| Rated impulse withstand voltage [Uimp] | 4kV  |                  |
| Type of trip                           | Thermal-magnetic release                               |                  |
| Type of terminal                       | Dual type (Lug & Screw)                                |                  |
| Terminal capacity                      | Cables up to 25mm <sup>2</sup>                         |                  |
| Installation                           | Mounting on 35mm DIN rail                              |                  |
| Width                                  | 17.8mm per pole  |                  |
| Electrical endurance                   | —  |                  |
| In                                     | 1 ... 32A  | 40 ... 63A       |
| Endurance                              | 4,000 operations                                       | 4,000 operations |
| Max. frequency (Cycles/hour)           | 240  | 120              |



#### Influence of ambient temperature on nominal currents

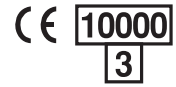
| Nominal current of MCB (A) | Internally resistance (mohm) | Power loss (W) | Max. impedance of impedance loop (Ohm) |       |       | Thermal correction of nominal currents |      |       |       |       |
|----------------------------|------------------------------|----------------|--|-------|-------|--|------|-------|-------|-------|
|                            |                              |                | B                                      | C     | D     | 20°C                                   | 30°C | 40°C  | 50°C  | 60°C  |
| 1                          | 1215.69                      | 1.24           | 46.20                                  | 25.70 | 14.40 | 1.05                                   | 1    | 0.95  | 0.90  | 0.85  |
| 2                          | 343.28                       | 1.38           | 21.60                                  | 12.02 | 6.73  | 2.08                                   | 2    | 1.92  | 1.84  | 1.74  |
| 3                          | 128.09                       | 1.15           | 16.90                                  | 9.40  | 5.26  | 3.18                                   | 3    | 2.82  | 2.61  | 2.37  |
| 4                          | 105.53                       | 1.68           | 10.68                                  | 5.94  | 3.33  | 4.24                                   | 4    | 3.76  | 3.52  | 3.24  |
| 6                          | 29.22                        | 1.08           | 7.14                                   | 3.97  | 2.22  | 6.24                                   | 6    | 5.76  | 5.52  | 5.30  |
| 10                         | 14.49                        | 1.55           | 3.87                                   | 2.15  | 1.21  | 10.60                                  | 10   | 9.30  | 8.60  | 7.80  |
| 16                         | 10.00                        | 2.56           | 2.24                                   | 1.25  | 0.70  | 16.80                                  | 16   | 15.20 | 14.20 | 13.30 |
| 20                         | 8.02                         | 3.32           | 1.55                                   | 0.86  | 0.48  | 21.00                                  | 20   | 19.00 | 17.80 | 16.80 |
| 25                         | 3.11                         | 2.00           | 2.43                                   | 1.35  | 0.76  | 26.20                                  | 25   | 23.70 | 22.20 | 20.70 |
| 32                         | 3.05                         | 3.17           | 1.27                                   | 0.71  | 0.40  | 33.50                                  | 32   | 30.40 | 28.40 | 27.50 |
| 40                         | 2.16                         | 3.40           | 0.60                                   | 0.33  | 0.19  | 42.00                                  | 40   | 38.00 | 35.60 | 33.20 |
| 50                         | 1.65                         | 4.20           | 0.71                                   | 0.39  | 0.22  | 52.50                                  | 50   | 47.40 | 44.00 | 40.50 |
| 63                         | 1.68                         | 6.30           | 0.47                                   | 0.32  | 0.15  | 66.20                                  | 63   | 58.00 | 54.20 | 49.20 |

#### Optional accessories. SHT, OVT/UVT

|                               |   |             |
|-------------------------------|---|-------------|
| SHT-b                         | Rated voltage (Ue)                        | AC 110~415V |
|                               | Operate voltage range                     | 70~110% Ue  |
| U/OVT-b                       | Rated voltage (Ue)                        | AC 230V     |
|                               | Over-voltage tripping range               | AC 280V±5%  |
|                               | Under-voltage tripping range              | AC 170V±5%  |
| Electric-mechanical endurance | 10,000 operations                         |             |
| Terminal                      | MS screw (cable up to 25mm <sup>2</sup> ) |             |
| Width                         | 18mm                                      |             |



## BKN-b type, B curve



### 10kA at 240/415VAC



BKN-b 1P

| In  | Model         | Order No.  | Pack. unit (Pcs.) | Price |
|-----|---------------|------------|-------------------|-------|
| 1A  | BKN-b 1P B1A  | 06110160R0 | 120               |       |
| 2A  | BKN-b 1P B2A  | 06110161R0 | 120               |       |
| 3A  | BKN-b 1P B3A  | 06110162R0 | 120               |       |
| 4A  | BKN-b 1P B4A  | 06110163R0 | 120               |       |
| 6A  | BKN-b 1P B6A  | 06110164R0 | 120               |       |
| 10A | BKN-b 1P B10A | 06110165R0 | 120               |       |
| 16A | BKN-b 1P B16A | 06110166R0 | 120               |       |
| 20A | BKN-b 1P B20A | 06110167R0 | 120               |       |
| 25A | BKN-b 1P B25A | 06110168R0 | 120               |       |
| 32A | BKN-b 1P B32A | 06110169R0 | 120               |       |
| 40A | BKN-b 1P B40A | 06110170R0 | 120               |       |
| 50A | BKN-b 1P B50A | 06110171R0 | 120               |       |
| 63A | BKN-b 1P B63A | 06110172R0 | 120               |       |

### 10kA at 240/415VAC



BKN-b 1P+N

| In  | Model           | Order No.  | Pack. unit (Pcs.) | Price |
|-----|-----------------|------------|-------------------|-------|
| 1A  | BKN-b 1P+N B1A  | 06120417R0 | 60                |       |
| 2A  | BKN-b 1P+N B2A  | 06120418R0 | 60                |       |
| 3A  | BKN-b 1P+N B3A  | 06120419R0 | 60                |       |
| 4A  | BKN-b 1P+N B4A  | 06120420R0 | 60                |       |
| 6A  | BKN-b 1P+N B6A  | 06120421R0 | 60                |       |
| 10A | BKN-b 1P+N B10A | 06120422R0 | 60                |       |
| 16A | BKN-b 1P+N B16A | 06120423R0 | 60                |       |
| 20A | BKN-b 1P+N B20A | 06120424R0 | 60                |       |
| 25A | BKN-b 1P+N B25A | 06120425R0 | 60                |       |
| 32A | BKN-b 1P+N B32A | 06120426R0 | 60                |       |
| 40A | BKN-b 1P+N B40A | 06120427R0 | 60                |       |
| 50A | BKN-b 1P+N B50A | 06120428R0 | 60                |       |
| 63A | BKN-b 1P+N B63A | 06120429R0 | 60                |       |

### 10kA at 415VAC



BKN-b 2P

| In  | Model         | Order No.  | Pack. unit (Pcs.) | Price |
|-----|---------------|------------|-------------------|-------|
| 1A  | BKN-b 2P B1A  | 06120430R0 | 60                |       |
| 2A  | BKN-b 2P B2A  | 06120431R0 | 60                |       |
| 3A  | BKN-b 2P B3A  | 06120432R0 | 60                |       |
| 4A  | BKN-b 2P B4A  | 06120433R0 | 60                |       |
| 6A  | BKN-b 2P B6A  | 06120434R0 | 60                |       |
| 10A | BKN-b 2P B10A | 06120435R0 | 60                |       |
| 16A | BKN-b 2P B16A | 06120436R0 | 60                |       |
| 20A | BKN-b 2P B20A | 06120437R0 | 60                |       |
| 25A | BKN-b 2P B25A | 06120438R0 | 60                |       |
| 32A | BKN-b 2P B32A | 06120439R0 | 60                |       |
| 40A | BKN-b 2P B40A | 06120440R0 | 60                |       |
| 50A | BKN-b 2P B50A | 06120441R0 | 60                |       |
| 63A | BKN-b 2P B63A | 06120442R0 | 60                |       |

# Miniature Circuit Breakers

## DIN rail mounting

### BKN-b type, B curve



BKN-b 3P

#### 10kA at 415VAC

| In  | Model         | Order No.  | Pack. unit (Pcs.) | Price |
|-----|---------------|------------|-------------------|-------|
| 1A  | BKN-b 3P B1A  | 06120443R0 | 40                |       |
| 2A  | BKN-b 3P B2A  | 06120444R0 | 40                |       |
| 3A  | BKN-b 3P B3A  | 06120445R0 | 40                |       |
| 4A  | BKN-b 3P B4A  | 06120446R0 | 40                |       |
| 6A  | BKN-b 3P B6A  | 06120447R0 | 40                |       |
| 10A | BKN-b 3P B10A | 06120448R0 | 40                |       |
| 16A | BKN-b 3P B16A | 06120449R0 | 40                |       |
| 20A | BKN-b 3P B20A | 06120450R0 | 40                |       |
| 25A | BKN-b 3P B25A | 06120451R0 | 40                |       |
| 32A | BKN-b 3P B32A | 06120452R0 | 40                |       |
| 40A | BKN-b 3P B40A | 06120453R0 | 40                |       |
| 50A | BKN-b 3P B50A | 06120454R0 | 40                |       |
| 63A | BKN-b 3P B63A | 06120455R0 | 40                |       |



BKN-b 3P+N

#### 10kA at 415VAC

| In  | Model           | Order No.  | Pack. unit (Pcs.) | Price |
|-----|-----------------|------------|-------------------|-------|
| 1A  | BKN-b 3P+N B1A  | 06120456R0 | 30                |       |
| 2A  | BKN-b 3P+N B2A  | 06120457R0 | 30                |       |
| 3A  | BKN-b 3P+N B3A  | 06120458R0 | 30                |       |
| 4A  | BKN-b 3P+N B4A  | 06120459R0 | 30                |       |
| 6A  | BKN-b 3P+N B6A  | 06120460R0 | 30                |       |
| 10A | BKN-b 3P+N B10A | 06120461R0 | 30                |       |
| 16A | BKN-b 3P+N B16A | 06120462R0 | 30                |       |
| 20A | BKN-b 3P+N B20A | 06120463R0 | 30                |       |
| 25A | BKN-b 3P+N B25A | 06120464R0 | 30                |       |
| 32A | BKN-b 3P+N B32A | 06120465R0 | 30                |       |
| 40A | BKN-b 3P+N B40A | 06120466R0 | 30                |       |
| 50A | BKN-b 3P+N B50A | 06120467R0 | 30                |       |
| 63A | BKN-b 3P+N B63A | 06120468R0 | 30                |       |



BKN-b 4P

#### 10kA at 415VAC

| In  | Model         | Order No.  | Pack. unit (Pcs.) | Price |
|-----|---------------|------------|-------------------|-------|
| 1A  | BKN-b 4P B1A  | 06120430R0 | 30                |       |
| 2A  | BKN-b 4P B2A  | 06120431R0 | 30                |       |
| 3A  | BKN-b 4P B3A  | 06120432R0 | 30                |       |
| 4A  | BKN-b 4P B4A  | 06120433R0 | 30                |       |
| 6A  | BKN-b 4P B6A  | 06120434R0 | 30                |       |
| 10A | BKN-b 4P B10A | 06120435R0 | 30                |       |
| 16A | BKN-b 4P B16A | 06120436R0 | 30                |       |
| 20A | BKN-b 4P B20A | 06120437R0 | 30                |       |
| 25A | BKN-b 4P B25A | 06120438R0 | 30                |       |
| 32A | BKN-b 4P B32A | 06120439R0 | 30                |       |
| 40A | BKN-b 4P B40A | 06120440R0 | 30                |       |
| 50A | BKN-b 4P B50A | 06120441R0 | 30                |       |
| 63A | BKN-b 4P B63A | 06120442R0 | 30                |       |

## BKN-b type, C curve



### 10kA at 240/415VAC



BKN-b 1P

| In  | Model         | Order No.  | Pack. unit (Pcs.) | Price |
|-----|---------------|------------|-------------------|-------|
| 1A  | BKN-b 1P C1A  | 06110173R0 | 120               |       |
| 2A  | BKN-b 1P C2A  | 06110174R0 | 120               |       |
| 3A  | BKN-b 1P C3A  | 06110175R0 | 120               |       |
| 4A  | BKN-b 1P C4A  | 06110176R0 | 120               |       |
| 6A  | BKN-b 1P C6A  | 06110177R0 | 120               |       |
| 10A | BKN-b 1P C10A | 06110178R0 | 120               |       |
| 16A | BKN-b 1P C16A | 06110179R0 | 120               |       |
| 20A | BKN-b 1P C20A | 06110180R0 | 120               |       |
| 25A | BKN-b 1P C25A | 06110181R0 | 120               |       |
| 32A | BKN-b 1P C32A | 06110182R0 | 120               |       |
| 40A | BKN-b 1P C40A | 06110183R0 | 120               |       |
| 50A | BKN-b 1P C50A | 06110184R0 | 120               |       |
| 63A | BKN-b 1P C63A | 06110185R0 | 120               |       |

### 10kA at 240/415VAC



BKN-b 1P+N

| In  | Model           | Order No.  | Pack. unit (Pcs.) | Price |
|-----|-----------------|------------|-------------------|-------|
| 1A  | BKN-b 1P+N C1A  | 06110186R0 | 60                |       |
| 2A  | BKN-b 1P+N C2A  | 06110187R0 | 60                |       |
| 3A  | BKN-b 1P+N C3A  | 06110188R0 | 60                |       |
| 4A  | BKN-b 1P+N C4A  | 06110189R0 | 60                |       |
| 6A  | BKN-b 1P+N C6A  | 06110190R0 | 60                |       |
| 10A | BKN-b 1P+N C10A | 06110191R0 | 60                |       |
| 16A | BKN-b 1P+N C16A | 06110192R0 | 60                |       |
| 20A | BKN-b 1P+N C20A | 06110193R0 | 60                |       |
| 25A | BKN-b 1P+N C25A | 06110194R0 | 60                |       |
| 32A | BKN-b 1P+N C32A | 06110195R0 | 60                |       |
| 40A | BKN-b 1P+N C40A | 06110196R0 | 60                |       |
| 50A | BKN-b 1P+N C50A | 06110197R0 | 60                |       |
| 63A | BKN-b 1P+N C63A | 06110198R0 | 60                |       |

### 10kA at 415VAC



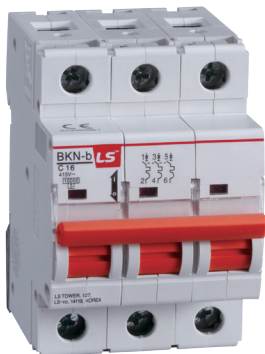
BKN-b 2P

| In  | Model         | Order No.  | Pack. unit (Pcs.) | Price |
|-----|---------------|------------|-------------------|-------|
| 1A  | BKN-b 2P C1A  | 06110199R0 | 60                |       |
| 2A  | BKN-b 2P C2A  | 06110200R0 | 60                |       |
| 3A  | BKN-b 2P C3A  | 06110201R0 | 60                |       |
| 4A  | BKN-b 2P C4A  | 06110202R0 | 60                |       |
| 6A  | BKN-b 2P C6A  | 06110203R0 | 60                |       |
| 10A | BKN-b 2P C10A | 06110204R0 | 60                |       |
| 16A | BKN-b 2P C16A | 06110205R0 | 60                |       |
| 20A | BKN-b 2P C20A | 06110206R0 | 60                |       |
| 25A | BKN-b 2P C25A | 06110207R0 | 60                |       |
| 32A | BKN-b 2P C32A | 06110208R0 | 60                |       |
| 40A | BKN-b 2P C40A | 06110209R0 | 60                |       |
| 50A | BKN-b 2P C50A | 06110210R0 | 60                |       |
| 63A | BKN-b 2P C63A | 06110211R0 | 60                |       |

# Miniature Circuit Breakers

## DIN rail mounting

### BKN-b type, C curve



BKN-b 3P

#### 10kA at 415VAC

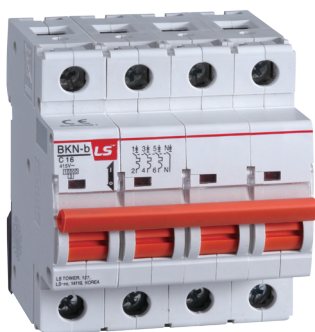
| In  | Model         | Order No.  | Pack. unit (Pcs.) | Price |
|-----|---------------|------------|-------------------|-------|
| 1A  | BKN-b 3P C1A  | 06110212R0 | 40                |       |
| 2A  | BKN-b 3P C2A  | 06110213R0 | 40                |       |
| 3A  | BKN-b 3P C3A  | 06110214R0 | 40                |       |
| 4A  | BKN-b 3P C4A  | 06110215R0 | 40                |       |
| 6A  | BKN-b 3P C6A  | 06110216R0 | 40                |       |
| 10A | BKN-b 3P C10A | 06110217R0 | 40                |       |
| 16A | BKN-b 3P C16A | 06110218R0 | 40                |       |
| 20A | BKN-b 3P C20A | 06110219R0 | 40                |       |
| 25A | BKN-b 3P C25A | 06110220R0 | 40                |       |
| 32A | BKN-b 3P C32A | 06110221R0 | 40                |       |
| 40A | BKN-b 3P C40A | 06110222R0 | 40                |       |
| 50A | BKN-b 3P C50A | 06110223R0 | 40                |       |
| 63A | BKN-b 3P C63A | 06110224R0 | 40                |       |



BKN-b 3P+N

#### 10kA at 415VAC

| In  | Model           | Order No.  | Pack. unit (Pcs.) | Price |
|-----|-----------------|------------|-------------------|-------|
| 1A  | BKN-b 3P+N C1A  | 06110225R0 | 30                |       |
| 2A  | BKN-b 3P+N C2A  | 06110226R0 | 30                |       |
| 3A  | BKN-b 3P+N C3A  | 06110227R0 | 30                |       |
| 4A  | BKN-b 3P+N C4A  | 06110228R0 | 30                |       |
| 6A  | BKN-b 3P+N C6A  | 06110229R0 | 30                |       |
| 10A | BKN-b 3P+N C10A | 06110230R0 | 30                |       |
| 16A | BKN-b 3P+N C16A | 06110231R0 | 30                |       |
| 20A | BKN-b 3P+N C20A | 06110232R0 | 30                |       |
| 25A | BKN-b 3P+N C25A | 06110233R0 | 30                |       |
| 32A | BKN-b 3P+N C32A | 06110234R0 | 30                |       |
| 40A | BKN-b 3P+N C40A | 06110235R0 | 30                |       |
| 50A | BKN-b 3P+N C50A | 06110236R0 | 30                |       |
| 63A | BKN-b 3P+N C63A | 06110237R0 | 30                |       |

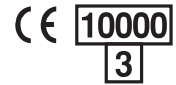


BKN-b 4P

#### 10kA at 415VAC

| In  | Model         | Order No.  | Pack. unit (Pcs.) | Price |
|-----|---------------|------------|-------------------|-------|
| 1A  | BKN-b 4P C1A  | 06110238R0 | 30                |       |
| 2A  | BKN-b 4P C2A  | 06110239R0 | 30                |       |
| 3A  | BKN-b 4P C3A  | 06110240R0 | 30                |       |
| 4A  | BKN-b 4P C4A  | 06110241R0 | 30                |       |
| 6A  | BKN-b 4P C6A  | 06110242R0 | 30                |       |
| 10A | BKN-b 4P C10A | 06110243R0 | 30                |       |
| 16A | BKN-b 4P C16A | 06110244R0 | 30                |       |
| 20A | BKN-b 4P C20A | 06110245R0 | 30                |       |
| 25A | BKN-b 4P C25A | 06110246R0 | 30                |       |
| 32A | BKN-b 4P C32A | 06110247R0 | 30                |       |
| 40A | BKN-b 4P C40A | 06110248R0 | 30                |       |
| 50A | BKN-b 4P C50A | 06110249R0 | 30                |       |
| 63A | BKN-b 4P C63A | 06110250R0 | 30                |       |

## BKN-b type, D curve



### 10kA at 240/415VAC



BKN-b 1P

| In  | Model         | Order No.  | Pack. unit (Pcs.) | Price |
|-----|---------------|------------|-------------------|-------|
| 1A  | BKN-b 1P D1A  | 06110251R0 | 120               |       |
| 2A  | BKN-b 1P D2A  | 06110252R0 | 120               |       |
| 3A  | BKN-b 1P D3A  | 06110253R0 | 120               |       |
| 4A  | BKN-b 1P D4A  | 06110254R0 | 120               |       |
| 6A  | BKN-b 1P D6A  | 06110255R0 | 120               |       |
| 10A | BKN-b 1P D10A | 06110256R0 | 120               |       |
| 16A | BKN-b 1P D16A | 06110257R0 | 120               |       |
| 20A | BKN-b 1P D20A | 06110258R0 | 120               |       |
| 25A | BKN-b 1P D25A | 06110259R0 | 120               |       |
| 32A | BKN-b 1P D32A | 06110260R0 | 120               |       |
| 40A | BKN-b 1P D40A | 06110261R0 | 120               |       |
| 50A | BKN-b 1P D50A | 06110262R0 | 120               |       |
| 63A | BKN-b 1P D63A | 06110263R0 | 120               |       |

### 10kA at 240/415VAC



BKN-b 1P+N

| In  | Model           | Order No.  | Pack. unit (Pcs.) | Price |
|-----|-----------------|------------|-------------------|-------|
| 1A  | BKN-b 1P+N D1A  | 06110264R0 | 60                |       |
| 2A  | BKN-b 1P+N D2A  | 06110265R0 | 60                |       |
| 3A  | BKN-b 1P+N D3A  | 06110266R0 | 60                |       |
| 4A  | BKN-b 1P+N D4A  | 06110267R0 | 60                |       |
| 6A  | BKN-b 1P+N D6A  | 06110268R0 | 60                |       |
| 10A | BKN-b 1P+N D10A | 06110269R0 | 60                |       |
| 16A | BKN-b 1P+N D16A | 06110270R0 | 60                |       |
| 20A | BKN-b 1P+N D20A | 06110271R0 | 60                |       |
| 25A | BKN-b 1P+N D25A | 06110272R0 | 60                |       |
| 32A | BKN-b 1P+N D32A | 06110273R0 | 60                |       |
| 40A | BKN-b 1P+N D40A | 06110274R0 | 60                |       |
| 50A | BKN-b 1P+N D50A | 06110275R0 | 60                |       |
| 63A | BKN-b 1P+N D63A | 06110276R0 | 60                |       |

### 10kA at 415VAC



BKN-b 2P

| In  | Model         | Order No.  | Pack. unit (Pcs.) | Price |
|-----|---------------|------------|-------------------|-------|
| 1A  | BKN-b 2P D1A  | 06110277R0 | 60                |       |
| 2A  | BKN-b 2P D2A  | 06110278R0 | 60                |       |
| 3A  | BKN-b 2P D3A  | 06110279R0 | 60                |       |
| 4A  | BKN-b 2P D4A  | 06110280R0 | 60                |       |
| 6A  | BKN-b 2P D6A  | 06110281R0 | 60                |       |
| 10A | BKN-b 2P D10A | 06110282R0 | 60                |       |
| 16A | BKN-b 2P D16A | 06110283R0 | 60                |       |
| 20A | BKN-b 2P D20A | 06110284R0 | 60                |       |
| 25A | BKN-b 2P D25A | 06110285R0 | 60                |       |
| 32A | BKN-b 2P D32A | 06110286R0 | 60                |       |
| 40A | BKN-b 2P D40A | 06110287R0 | 60                |       |
| 50A | BKN-b 2P D50A | 06110288R0 | 60                |       |
| 63A | BKN-b 2P D63A | 06110289R0 | 60                |       |

# Miniature Circuit Breakers

## DIN rail mounting

### BKN-b type, D curve



BKN-b 3P

#### 10kA at 415VAC

| In  | Model         | Order No.  | Pack. unit (Pcs.) | Price |
|-----|---------------|------------|-------------------|-------|
| 1A  | BKN-b 3P D1A  | 06110290R0 | 40                |       |
| 2A  | BKN-b 3P D2A  | 06110291R0 | 40                |       |
| 3A  | BKN-b 3P D3A  | 06110292R0 | 40                |       |
| 4A  | BKN-b 3P D4A  | 06110293R0 | 40                |       |
| 6A  | BKN-b 3P D6A  | 06110294R0 | 40                |       |
| 10A | BKN-b 3P D10A | 06110295R0 | 40                |       |
| 16A | BKN-b 3P D16A | 06110296R0 | 40                |       |
| 20A | BKN-b 3P D20A | 06110297R0 | 40                |       |
| 25A | BKN-b 3P D25A | 06110298R0 | 40                |       |
| 32A | BKN-b 3P D32A | 06110299R0 | 40                |       |
| 40A | BKN-b 3P D40A | 06110300R0 | 40                |       |
| 50A | BKN-b 3P D50A | 06110301R0 | 40                |       |
| 63A | BKN-b 3P D63A | 06110302R0 | 40                |       |



BKN-b 3P+N

#### 10kA at 415VAC

| In  | Model           | Order No.  | Pack. unit (Pcs.) | Price |
|-----|-----------------|------------|-------------------|-------|
| 1A  | BKN-b 3P+N D1A  | 06110303R0 | 30                |       |
| 2A  | BKN-b 3P+N D2A  | 06110304R0 | 30                |       |
| 3A  | BKN-b 3P+N D3A  | 06110305R0 | 30                |       |
| 4A  | BKN-b 3P+N D4A  | 06110306R0 | 30                |       |
| 6A  | BKN-b 3P+N D6A  | 06110307R0 | 30                |       |
| 10A | BKN-b 3P+N D10A | 06110308R0 | 30                |       |
| 16A | BKN-b 3P+N D16A | 06110309R0 | 30                |       |
| 20A | BKN-b 3P+N D20A | 06110310R0 | 30                |       |
| 25A | BKN-b 3P+N D25A | 06110311R0 | 30                |       |
| 32A | BKN-b 3P+N D32A | 06110312R0 | 30                |       |
| 40A | BKN-b 3P+N D40A | 06110313R0 | 30                |       |
| 50A | BKN-b 3P+N D50A | 06110314R0 | 30                |       |
| 63A | BKN-b 3P+N D63A | 06110315R0 | 30                |       |



BKN-b 4P

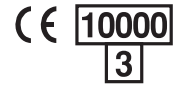
#### 10kA at 415VAC

| In  | Model         | Order No.  | Pack. unit (Pcs.) | Price |
|-----|---------------|------------|-------------------|-------|
| 1A  | BKN-b 4P D1A  | 06110316R0 | 30                |       |
| 2A  | BKN-b 4P D2A  | 06110317R0 | 30                |       |
| 3A  | BKN-b 4P D3A  | 06110318R0 | 30                |       |
| 4A  | BKN-b 4P D4A  | 06110319R0 | 30                |       |
| 6A  | BKN-b 4P D6A  | 06110320R0 | 30                |       |
| 10A | BKN-b 4P D10A | 06110321R0 | 30                |       |
| 16A | BKN-b 4P D16A | 06110322R0 | 30                |       |
| 20A | BKN-b 4P D20A | 06110323R0 | 30                |       |
| 25A | BKN-b 4P D25A | 06110324R0 | 30                |       |
| 32A | BKN-b 4P D32A | 06110325R0 | 30                |       |
| 40A | BKN-b 4P D40A | 06110326R0 | 30                |       |
| 50A | BKN-b 4P D50A | 06110327R0 | 30                |       |
| 63A | BKN-b 4P D63A | 06110328R0 | 30                |       |



BKN-c 2P

## BKN-c type



### Technical data

|  |  |                  |
|--|--|------------------|
| Standard                               | Confirming to IEC 60898-1                              |                  |
| Approval                               | SEMKO CB   |                  |
| Protection                             | Against overload and short circuit                     |                  |
| Rated current                          | 1, 2, 3, 4, 6, 10, 13, 16, 20, 25, 32, 40, 50, 63A     |                  |
| Rated voltage                          | 1pole 230/400VAC 50/60Hz<br>2, 3, 4pole 400VAC 50/60Hz |                  |
| Breaking capacity                      | 6kA  |                  |
| Characteristic                         | B, C, D curve  |                  |
| Number of poles                        | 1P, 2P, 3P, 4P   |                  |
| Rated insulation voltage [Ui]          | 500V   |                  |
| Rated impulse withstand voltage [Uimp] | 4kV  |                  |
| Type of trip                           | Thermal-magnetic release                               |                  |
| Type of terminal                       | Dual type (Lug & Screw)                                |                  |
| Terminal capacity                      | Cables up to 25mm <sup>2</sup>                         |                  |
| Installation                           | Mounting on 35mm DIN rail                              |                  |
| Width                                  | 17.8mm per pole  |                  |
| Electrical endurance                   |  |                  |
| In                                     | 1 ... 32A  | 40 ... 63A       |
| Endurance                              | 4,000 operations                                       | 4,000 operations |
| Max. frequency<br>(Cycles/hour)        | 240  | 120              |

# Miniature Circuit Breakers

## DIN rail mounting

### BKN-c type, B curve



#### 6kA at 230/400VAC



BKN-c 1P

| Pole | In  | Model         | Order No.  | Pack. unit (Pcs.) | Price |
|------|-----|---------------|------------|-------------------|-------|
| 1P   | 1A  | BKN-c 1P B1A  | 06110099R0 | 120               |       |
|      | 2A  | BKN-c 1P B2A  | 06110100R0 | 120               |       |
|      | 3A  | BKN-c 1P B3A  | 06110101R0 | 120               |       |
|      | 4A  | BKN-c 1P B4A  | 06110102R0 | 120               |       |
|      | 6A  | BKN-c 1P B6A  | 06110103R0 | 120               |       |
|      | 10A | BKN-c 1P B10A | 06110104R0 | 120               |       |
|      | 13A | BKN-c 1P B13A | 06112096R0 | 120               |       |
|      | 16A | BKN-c 1P B16A | 06110105R0 | 120               |       |
|      | 20A | BKN-c 1P B20A | 06110106R0 | 120               |       |
|      | 25A | BKN-c 1P B25A | 06110107R0 | 120               |       |
|      | 32A | BKN-c 1P B32A | 06110108R0 | 120               |       |
|      | 40A | BKN-c 1P B40A | 06110109R0 | 120               |       |
|      | 50A | BKN-c 1P B50A | 06110110R0 | 120               |       |
|      | 63A | BKN-c 1P B63A | 06110111R0 | 120               |       |

#### 6kA at 230/400VAC



BKN-c 1P+N

| Pole | In  | Model           | Order No.  | Pack. unit (Pcs.) | Price |
|------|-----|-----------------|------------|-------------------|-------|
| 1P+N | 1A  | BKN-c 1P+N B1A  | 06121125R0 | 60                |       |
|      | 2A  | BKN-c 1P+N B2A  | 06121126R0 | 60                |       |
|      | 3A  | BKN-c 1P+N B3A  | 06121127R0 | 60                |       |
|      | 4A  | BKN-c 1P+N B4A  | 06121128R0 | 60                |       |
|      | 6A  | BKN-c 1P+N B6A  | 06121129R0 | 60                |       |
|      | 10A | BKN-c 1P+N B10A | 06121130R0 | 60                |       |
|      | 16A | BKN-c 1P+N B16A | 06121131R0 | 60                |       |
|      | 20A | BKN-c 1P+N B20A | 06121132R0 | 60                |       |
|      | 25A | BKN-c 1P+N B25A | 06121133R0 | 60                |       |
|      | 32A | BKN-c 1P+N B32A | 06121134R0 | 60                |       |
|      | 40A | BKN-c 1P+N B40A | 06121135R0 | 60                |       |
|      | 50A | BKN-c 1P+N B50A | 06121136R0 | 60                |       |
|      | 63A | BKN-c 1P+N B63A | 06121137R0 | 60                |       |

#### 6kA at 400VAC



BKN-c 2P

| Pole | In  | Model         | Order No.  | Pack. unit (Pcs.) | Price |
|------|-----|---------------|------------|-------------------|-------|
| 2P   | 1A  | BKN-c 2P B1A  | 06121138R0 | 60                |       |
|      | 2A  | BKN-c 2P B2A  | 06121139R0 | 60                |       |
|      | 3A  | BKN-c 2P B3A  | 06121140R0 | 60                |       |
|      | 4A  | BKN-c 2P B4A  | 06121141R0 | 60                |       |
|      | 6A  | BKN-c 2P B6A  | 06121142R0 | 60                |       |
|      | 10A | BKN-c 2P B10A | 06121143R0 | 60                |       |
|      | 13A | BKN-c 2P B13A | 06112100R0 | 60                |       |
|      | 16A | BKN-c 2P B16A | 06121144R0 | 60                |       |
|      | 20A | BKN-c 2P B20A | 06121145R0 | 60                |       |
|      | 25A | BKN-c 2P B25A | 06121146R0 | 60                |       |
|      | 32A | BKN-c 2P B32A | 06121147R0 | 60                |       |
|      | 40A | BKN-c 2P B40A | 06121148R0 | 60                |       |
|      | 50A | BKN-c 2P B50A | 06121149R0 | 60                |       |
|      | 63A | BKN-c 2P B63A | 06121150R0 | 60                |       |



## BKN-c type, B curve



BKN-c 3P

### 6kA at 400VAC

| Pole | In  | Model         | Order No.  | Pack. unit (Pcs.) | Price |
|------|-----|---------------|------------|-------------------|-------|
| 3P   | 1A  | BKN-c 3P B1A  | 06130485R0 | 40                |       |
|      | 2A  | BKN-c 3P B2A  | 06130486R0 | 40                |       |
|      | 3A  | BKN-c 3P B3A  | 06130487R0 | 40                |       |
|      | 4A  | BKN-c 3P B4A  | 06130488R0 | 40                |       |
|      | 6A  | BKN-c 3P B6A  | 06130489R0 | 40                |       |
|      | 10A | BKN-c 3P B10A | 06130490R0 | 40                |       |
|      | 13A | BKN-c 3P B13A | 06112102R0 | 40                |       |
|      | 16A | BKN-c 3P B16A | 06130491R0 | 40                |       |
|      | 20A | BKN-c 3P B20A | 06130492R0 | 40                |       |
|      | 25A | BKN-c 3P B25A | 06130493R0 | 40                |       |
|      | 32A | BKN-c 3P B32A | 06130494R0 | 40                |       |
|      | 40A | BKN-c 3P B40A | 06130495R0 | 40                |       |
|      | 50A | BKN-c 3P B50A | 06130496R0 | 40                |       |
|      | 63A | BKN-c 3P B63A | 06130497R0 | 40                |       |



BKN-c 3P+N

### 6kA at 400VAC

| Pole | In  | Model           | Order No.  | Pack. unit (Pcs.) | Price |
|------|-----|-----------------|------------|-------------------|-------|
| 3P+N | 1A  | BKN-c 3P+N B1A  | 06140901R0 | 30                |       |
|      | 2A  | BKN-c 3P+N B2A  | 06140902R0 | 30                |       |
|      | 3A  | BKN-c 3P+N B3A  | 06140903R0 | 30                |       |
|      | 4A  | BKN-c 3P+N B4A  | 06140904R0 | 30                |       |
|      | 6A  | BKN-c 3P+N B6A  | 06140905R0 | 30                |       |
|      | 10A | BKN-c 3P+N B10A | 06140906R0 | 30                |       |
|      | 16A | BKN-c 3P+N B16A | 06140907R0 | 30                |       |
|      | 20A | BKN-c 3P+N B20A | 06140908R0 | 30                |       |
|      | 25A | BKN-c 3P+N B25A | 06140909R0 | 30                |       |
|      | 32A | BKN-c 3P+N B32A | 06140910R0 | 30                |       |
|      | 40A | BKN-c 3P+N B40A | 06140911R0 | 30                |       |
|      | 50A | BKN-c 3P+N B50A | 06140912R0 | 30                |       |
|      | 63A | BKN-c 3P+N B63A | 06140913R0 | 30                |       |



BKN-c 4P

### 6kA at 400VAC

| Pole | In  | Model         | Order No.  | Pack. unit (Pcs.) | Price |
|------|-----|---------------|------------|-------------------|-------|
| 4P   | 1A  | BKN-c 4P B1A  | 06140914R0 | 30                |       |
|      | 2A  | BKN-c 4P B2A  | 06140915R0 | 30                |       |
|      | 3A  | BKN-c 4P B3A  | 06140916R0 | 30                |       |
|      | 4A  | BKN-c 4P B4A  | 06140917R0 | 30                |       |
|      | 6A  | BKN-c 4P B6A  | 06140918R0 | 30                |       |
|      | 10A | BKN-c 4P B10A | 06140919R0 | 30                |       |
|      | 13A | BKN-c 4P B13A | 06112104R0 | 30                |       |
|      | 16A | BKN-c 4P B16A | 06140920R0 | 30                |       |
|      | 20A | BKN-c 4P B20A | 06140921R0 | 30                |       |
|      | 25A | BKN-c 4P B25A | 06140922R0 | 30                |       |
|      | 32A | BKN-c 4P B32A | 06140923R0 | 30                |       |
|      | 40A | BKN-c 4P B40A | 06140924R0 | 30                |       |
|      | 50A | BKN-c 4P B50A | 06140925R0 | 30                |       |
|      | 63A | BKN-c 4P B63A | 06140926R0 | 30                |       |

# Miniature Circuit Breakers

## DIN rail mounting

### BKN-c type, C curve



#### 6kA at 230/400VAC



BKN-c 1P

| Pole | In  | Model         | Order No.  | Pack. unit (Pcs.) | Price |
|------|-----|---------------|------------|-------------------|-------|
| 1P   | 1A  | BKN-c 1P C1A  | 06110981R0 | 120               |       |
|      | 2A  | BKN-c 1P C2A  | 06110982R0 | 120               |       |
|      | 3A  | BKN-c 1P C3A  | 06110983R0 | 120               |       |
|      | 4A  | BKN-c 1P C4A  | 06110984R0 | 120               |       |
|      | 6A  | BKN-c 1P C6A  | 06110985R0 | 120               |       |
|      | 10A | BKN-c 1P C10A | 06110986R0 | 120               |       |
|      | 13A | BKN-c 1P C13A | 06112099R0 | 120               |       |
|      | 16A | BKN-c 1P C16A | 06110987R0 | 120               |       |
|      | 20A | BKN-c 1P C20A | 06110988R0 | 120               |       |
|      | 25A | BKN-c 1P C25A | 06110989R0 | 120               |       |
|      | 32A | BKN-c 1P C32A | 06110990R0 | 120               |       |
|      | 40A | BKN-c 1P C40A | 06110991R0 | 120               |       |
|      | 50A | BKN-c 1P C50A | 06110992R0 | 120               |       |
|      | 63A | BKN-c 1P C63A | 06110993R0 | 120               |       |

#### 6kA at 230/400VAC



BKN-c 1P+N

| Pole | In  | Model           | Order No.  | Pack. unit (Pcs.) | Price |
|------|-----|-----------------|------------|-------------------|-------|
| 1P+N | 1A  | BKN-c 1P+N C1A  | 06121151R0 | 60                |       |
|      | 2A  | BKN-c 1P+N C2A  | 06121152R0 | 60                |       |
|      | 3A  | BKN-c 1P+N C3A  | 06121153R0 | 60                |       |
|      | 4A  | BKN-c 1P+N C4A  | 06121154R0 | 60                |       |
|      | 6A  | BKN-c 1P+N C6A  | 06121155R0 | 60                |       |
|      | 10A | BKN-c 1P+N C10A | 06121156R0 | 60                |       |
|      | 16A | BKN-c 1P+N C16A | 06121157R0 | 60                |       |
|      | 20A | BKN-c 1P+N C20A | 06121158R0 | 60                |       |
|      | 25A | BKN-c 1P+N C25A | 06121159R0 | 60                |       |
|      | 32A | BKN-c 1P+N C32A | 06121160R0 | 60                |       |
|      | 40A | BKN-c 1P+N C40A | 06121161R0 | 60                |       |
|      | 50A | BKN-c 1P+N C50A | 06121162R0 | 60                |       |
|      | 63A | BKN-c 1P+N C63A | 06121163R0 | 60                |       |

#### 6kA at 400VAC



BKN-c 2P

| Pole | In  | Model         | Order No.  | Pack. unit (Pcs.) | Price |
|------|-----|---------------|------------|-------------------|-------|
| 2P   | 1A  | BKN-c 2P C1A  | 06121164R0 | 60                |       |
|      | 2A  | BKN-c 2P C2A  | 06121165R0 | 60                |       |
|      | 3A  | BKN-c 2P C3A  | 06121166R0 | 60                |       |
|      | 4A  | BKN-c 2P C4A  | 06121167R0 | 60                |       |
|      | 6A  | BKN-c 2P C6A  | 06121168R0 | 60                |       |
|      | 10A | BKN-c 2P C10A | 06121169R0 | 60                |       |
|      | 13A | BKN-c 2P C13A | 06112101R0 | 60                |       |
|      | 16A | BKN-c 2P C16A | 06121170R0 | 60                |       |
|      | 20A | BKN-c 2P C20A | 06121171R0 | 60                |       |
|      | 25A | BKN-c 2P C25A | 06121172R0 | 60                |       |
|      | 32A | BKN-c 2P C32A | 06121173R0 | 60                |       |
|      | 40A | BKN-c 2P C40A | 06121174R0 | 60                |       |
|      | 50A | BKN-c 2P C50A | 06121175R0 | 60                |       |
|      | 63A | BKN-c 2P C63A | 06121176R0 | 60                |       |

## BKN-c type, C curve



BKN-c 3P

### 6kA at 400VAC

| Pole | In  | Model         | Order No.  | Pack. unit (Pcs.) | Price |
|------|-----|---------------|------------|-------------------|-------|
| 3P   | 1A  | BKN-c 3P C1A  | 06130498R0 | 40                |       |
|      | 2A  | BKN-c 3P C2A  | 06130499R0 | 40                |       |
|      | 3A  | BKN-c 3P C3A  | 06130500R0 | 40                |       |
|      | 4A  | BKN-c 3P C4A  | 06130501R0 | 40                |       |
|      | 6A  | BKN-c 3P C6A  | 06130502R0 | 40                |       |
|      | 10A | BKN-c 3P C10A | 06130503R0 | 40                |       |
|      | 13A | BKN-c 3P C13A | 06112103R0 | 40                |       |
|      | 16A | BKN-c 3P C16A | 06130504R0 | 40                |       |
|      | 20A | BKN-c 3P C20A | 06130505R0 | 40                |       |
|      | 25A | BKN-c 3P C25A | 06130506R0 | 40                |       |
|      | 32A | BKN-c 3P C32A | 06130507R0 | 40                |       |
|      | 40A | BKN-c 3P C40A | 06130508R0 | 40                |       |
|      | 50A | BKN-c 3P C50A | 06130509R0 | 40                |       |
|      | 63A | BKN-c 3P C63A | 06130510R0 | 40                |       |



BKN-c 3P+N

### 6kA at 400VAC

| Pole | In  | Model           | Order No.  | Pack. unit (Pcs.) | Price |
|------|-----|-----------------|------------|-------------------|-------|
| 3P+N | 1A  | BKN-c 3P+N C1A  | 06140927R0 | 30                |       |
|      | 2A  | BKN-c 3P+N C2A  | 06140928R0 | 30                |       |
|      | 3A  | BKN-c 3P+N C3A  | 06140929R0 | 30                |       |
|      | 4A  | BKN-c 3P+N C4A  | 06140930R0 | 30                |       |
|      | 6A  | BKN-c 3P+N C6A  | 06140931R0 | 30                |       |
|      | 10A | BKN-c 3P+N C10A | 06140932R0 | 30                |       |
|      | 16A | BKN-c 3P+N C16A | 06140933R0 | 30                |       |
|      | 20A | BKN-c 3P+N C20A | 06140934R0 | 30                |       |
|      | 25A | BKN-c 3P+N C25A | 06140935R0 | 30                |       |
|      | 32A | BKN-c 3P+N C32A | 06140936R0 | 30                |       |
|      | 40A | BKN-c 3P+N C40A | 06140937R0 | 30                |       |
|      | 50A | BKN-c 3P+N C50A | 06140938R0 | 30                |       |
|      | 63A | BKN-c 3P+N C63A | 06140939R0 | 30                |       |



BKN-c 4P

### 6kA at 400VAC

| Pole | In  | Model         | Order No.  | Pack. unit (Pcs.) | Price |
|------|-----|---------------|------------|-------------------|-------|
| 4P   | 1A  | BKN-c 4P C1A  | 06140940R0 | 30                |       |
|      | 2A  | BKN-c 4P C2A  | 06140941R0 | 30                |       |
|      | 3A  | BKN-c 4P C3A  | 06140942R0 | 30                |       |
|      | 4A  | BKN-c 4P C4A  | 06140943R0 | 30                |       |
|      | 6A  | BKN-c 4P C6A  | 06140944R0 | 30                |       |
|      | 10A | BKN-c 4P C10A | 06140945R0 | 30                |       |
|      | 13A | BKN-c 4P C13A | 06112105R0 | 30                |       |
|      | 16A | BKN-c 4P C16A | 06140946R0 | 30                |       |
|      | 20A | BKN-c 4P C20A | 06140947R0 | 30                |       |
|      | 25A | BKN-c 4P C25A | 06140948R0 | 30                |       |
|      | 32A | BKN-c 4P C32A | 06140949R0 | 30                |       |
|      | 40A | BKN-c 4P C40A | 06140950R0 | 30                |       |
|      | 50A | BKN-c 4P C50A | 06140951R0 | 30                |       |
|      | 63A | BKN-c 4P C63A | 06140952R0 | 30                |       |

# Miniature Circuit Breakers DIN rail mounting

## BKN-c type, D curve



### 6kA at 230/400VAC



BKN-c 1P

| Pole | In  | Model         | Order No.  | Pack. unit (Pcs.) | Price |
|------|-----|---------------|------------|-------------------|-------|
| 1P   | 1A  | BKN-c 1P D1A  | 06110994R0 | 120               |       |
|      | 2A  | BKN-c 1P D2A  | 06110995R0 | 120               |       |
|      | 3A  | BKN-c 1P D3A  | 06110996R0 | 120               |       |
|      | 4A  | BKN-c 1P D4A  | 06110997R0 | 120               |       |
|      | 6A  | BKN-c 1P D6A  | 06110998R0 | 120               |       |
|      | 10A | BKN-c 1P D10A | 06110999R0 | 120               |       |
|      | 16A | BKN-c 1P D16A | 06111000R0 | 120               |       |
|      | 20A | BKN-c 1P D20A | 06111001R0 | 120               |       |
|      | 25A | BKN-c 1P D25A | 06111002R0 | 120               |       |
|      | 32A | BKN-c 1P D32A | 06111003R0 | 120               |       |
|      | 40A | BKN-c 1P D40A | 06111004R0 | 120               |       |
|      | 50A | BKN-c 1P D50A | 06111005R0 | 120               |       |
|      | 63A | BKN-c 1P D63A | 06111006R0 | 120               |       |

### 6kA at 230/400VAC



BKN-c 1P+N

| Pole | In  | Model           | Order No.  | Pack. unit (Pcs.) | Price |
|------|-----|-----------------|------------|-------------------|-------|
| 1P+N | 1A  | BKN-c 1P+N D1A  | 06121177R0 | 60                |       |
|      | 2A  | BKN-c 1P+N D2A  | 06121178R0 | 60                |       |
|      | 3A  | BKN-c 1P+N D3A  | 06121179R0 | 60                |       |
|      | 4A  | BKN-c 1P+N D4A  | 06121180R0 | 60                |       |
|      | 6A  | BKN-c 1P+N D6A  | 06121181R0 | 60                |       |
|      | 10A | BKN-c 1P+N D10A | 06121182R0 | 60                |       |
|      | 16A | BKN-c 1P+N D16A | 06121183R0 | 60                |       |
|      | 20A | BKN-c 1P+N D20A | 06121184R0 | 60                |       |
|      | 25A | BKN-c 1P+N D25A | 06121185R0 | 60                |       |
|      | 32A | BKN-c 1P+N D32A | 06121186R0 | 60                |       |
|      | 40A | BKN-c 1P+N D40A | 06121187R0 | 60                |       |
|      | 50A | BKN-c 1P+N D50A | 06121188R0 | 60                |       |
|      | 63A | BKN-c 1P+N D63A | 06121189R0 | 60                |       |

### 6kA at 400VAC



BKN-c 2P

| Pole | In  | Model         | Order No.  | Pack. unit (Pcs.) | Price |
|------|-----|---------------|------------|-------------------|-------|
| 2P   | 1A  | BKN-c 2P D1A  | 06121190R0 | 60                |       |
|      | 2A  | BKN-c 2P D2A  | 06121191R0 | 60                |       |
|      | 3A  | BKN-c 2P D3A  | 06121192R0 | 60                |       |
|      | 4A  | BKN-c 2P D4A  | 06121193R0 | 60                |       |
|      | 6A  | BKN-c 2P D6A  | 06121194R0 | 60                |       |
|      | 10A | BKN-c 2P D10A | 06121195R0 | 60                |       |
|      | 16A | BKN-c 2P D16A | 06121196R0 | 60                |       |
|      | 20A | BKN-c 2P D20A | 06121197R0 | 60                |       |
|      | 25A | BKN-c 2P D25A | 06121198R0 | 60                |       |
|      | 32A | BKN-c 2P D32A | 06121199R0 | 60                |       |
|      | 40A | BKN-c 2P D40A | 06121200R0 | 60                |       |
|      | 50A | BKN-c 2P D50A | 06121201R0 | 60                |       |
|      | 63A | BKN-c 2P D63A | 06121202R0 | 60                |       |

## BKN-c type, D curve



### 6kA at 400VAC



BKN-c 3P

| Pole | In  | Model         | Order No.  | Pack. unit (Pcs.) | Price |
|------|-----|---------------|------------|-------------------|-------|
| 3P   | 1A  | BKN-c 3P D1A  | 06130511R0 | 40                |       |
|      | 2A  | BKN-c 3P D2A  | 06130512R0 | 40                |       |
|      | 3A  | BKN-c 3P D3A  | 06130513R0 | 40                |       |
|      | 4A  | BKN-c 3P D4A  | 06130514R0 | 40                |       |
|      | 6A  | BKN-c 3P D6A  | 06130515R0 | 40                |       |
|      | 10A | BKN-c 3P D10A | 06130516R0 | 40                |       |
|      | 16A | BKN-c 3P D16A | 06130517R0 | 40                |       |
|      | 20A | BKN-c 3P D20A | 06130518R0 | 40                |       |
|      | 25A | BKN-c 3P D25A | 06130519R0 | 40                |       |
|      | 32A | BKN-c 3P D32A | 06130520R0 | 40                |       |
|      | 40A | BKN-c 3P D40A | 06130521R0 | 40                |       |
|      | 50A | BKN-c 3P D50A | 06130522R0 | 40                |       |
|      | 63A | BKN-c 3P D63A | 06130523R0 | 40                |       |

### 6kA at 400VAC



BKN-c 3P+N

| Pole | In  | Model           | Order No.  | Pack. unit (Pcs.) | Price |
|------|-----|-----------------|------------|-------------------|-------|
| 3P+N | 1A  | BKN-c 3P+N D1A  | 06140953R0 | 30                |       |
|      | 2A  | BKN-c 3P+N D2A  | 06140954R0 | 30                |       |
|      | 3A  | BKN-c 3P+N D3A  | 06140955R0 | 30                |       |
|      | 4A  | BKN-c 3P+N D4A  | 06140956R0 | 30                |       |
|      | 6A  | BKN-c 3P+N D6A  | 06140957R0 | 30                |       |
|      | 10A | BKN-c 3P+N D10A | 06140958R0 | 30                |       |
|      | 16A | BKN-c 3P+N D16A | 06140959R0 | 30                |       |
|      | 20A | BKN-c 3P+N D20A | 06140960R0 | 30                |       |
|      | 25A | BKN-c 3P+N D25A | 06140961R0 | 30                |       |
|      | 32A | BKN-c 3P+N D32A | 06140962R0 | 30                |       |
|      | 40A | BKN-c 3P+N D40A | 06140963R0 | 30                |       |
|      | 50A | BKN-c 3P+N D50A | 06140964R0 | 30                |       |
|      | 63A | BKN-c 3P+N D63A | 06140965R0 | 30                |       |

### 6kA at 400VAC



BKN-c 4P

| Pole | In  | Model         | Order No.  | Pack. unit (Pcs.) | Price |
|------|-----|---------------|------------|-------------------|-------|
| 4P   | 1A  | BKN-c 4P D1A  | 06140966R0 | 30                |       |
|      | 2A  | BKN-c 4P D2A  | 06140967R0 | 30                |       |
|      | 3A  | BKN-c 4P D3A  | 06140968R0 | 30                |       |
|      | 4A  | BKN-c 4P D4A  | 06140969R0 | 30                |       |
|      | 6A  | BKN-c 4P D6A  | 06140970R0 | 30                |       |
|      | 10A | BKN-c 4P D10A | 06140971R0 | 30                |       |
|      | 16A | BKN-c 4P D16A | 06140972R0 | 30                |       |
|      | 20A | BKN-c 4P D20A | 06140973R0 | 30                |       |
|      | 25A | BKN-c 4P D25A | 06140974R0 | 30                |       |
|      | 32A | BKN-c 4P D32A | 06140975R0 | 30                |       |
|      | 40A | BKN-c 4P D40A | 06140976R0 | 30                |       |
|      | 50A | BKN-c 4P D50A | 06140977R0 | 30                |       |
|      | 63A | BKN-c 4P D63A | 06140978R0 | 30                |       |

# Miniature Circuit Breakers

## DIN rail mounting



BKH 2P

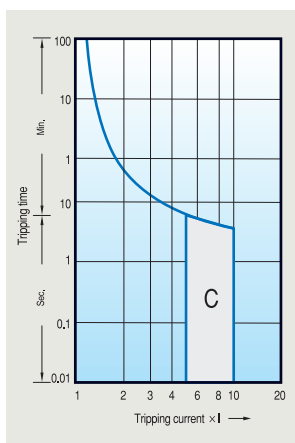
### BKH type (High rupturing capacity)



#### Technical data

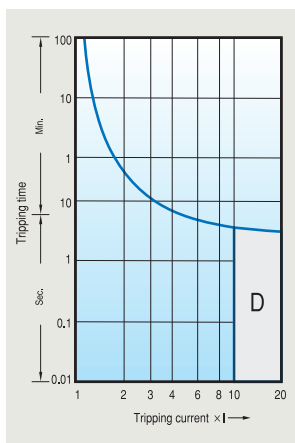
|  |  |
|--|--|
| Standard                               | Confirming to IEC 60947-2                          |
| Approval                               | CCC, SEMKO CB, CE, SABS                            |
| Protection                             | Overload and short circuit                         |
| Rated current                          | 63, 80, 100, 125A                                  |
| Rated voltage                          | 1pole 230VAC 50/60Hz<br>2, 3, 4pole 400VAC 50/60Hz |
| Breaking capacity                      | 10kA   |
| Characteristic                         | C, D curve   |
| Number of poles                        | 1P, 2P, 3P, 4P                                     |
| Rated insulation voltage [Ui]          | 400V   |
| Rated impulse withstand voltage [Uimp] | 4kV  |
| Type of trip                           | Thermal magnetic release                           |
| Type of terminal                       | Lug type   |
| Terminal capacity                      | Cables up to 50mm <sup>2</sup>                     |
| Installation                           | Mounting on 35mm DIN rail                          |
| Width                                  | 27mm per pole                                      |
| Electrical endurance                   | 1,500 operations                                   |

#### C curve



| Pole | In   | Model        | Order No.  | Pack. unit (Pcs.) | Price |
|------|------|--------------|------------|-------------------|-------|
| 1P   | 63A  | BKH 1P C63A  | 06110329R0 | 72                |       |
|      | 80A  | BKH 1P C80A  | 06110330R0 | 72                |       |
|      | 100A | BKH 1P C100A | 06110331R0 | 72                |       |
|      | 125A | BKH 1P C125A | 06110332R0 | 72                |       |
| 2P   | 63A  | BKH 2P C63A  | 06110337R0 | 36                |       |
|      | 80A  | BKH 2P C80A  | 06110338R0 | 36                |       |
|      | 100A | BKH 2P C100A | 06110339R0 | 36                |       |
|      | 125A | BKH 2P C125A | 06110340R0 | 36                |       |
| 3P   | 63A  | BKH 3P C63A  | 06110345R0 | 24                |       |
|      | 80A  | BKH 3P C80A  | 06110346R0 | 24                |       |
|      | 100A | BKH 3P C100A | 06110347R0 | 24                |       |
|      | 125A | BKH 3P C125A | 06110348R0 | 24                |       |
| 4P   | 63A  | BKH 4P C63A  | 06110361R0 | 18                |       |
|      | 80A  | BKH 4P C80A  | 06110362R0 | 18                |       |
|      | 100A | BKH 4P C100A | 06110363R0 | 18                |       |
|      | 125A | BKH 4P C125A | 06110364R0 | 18                |       |

#### D curve



| Pole | In   | Model        | Order No.  | Pack. unit (Pcs.) | Price |
|------|------|--------------|------------|-------------------|-------|
| 1P   | 63A  | BKH 1P D63A  | 06110333R0 | 72                |       |
|      | 80A  | BKH 1P D80A  | 06110334R0 | 72                |       |
|      | 100A | BKH 1P D100A | 06110335R0 | 72                |       |
|      | 125A | BKH 1P D125A | 06110336R0 | 72                |       |
| 2P   | 63A  | BKH 2P D63A  | 06110341R0 | 36                |       |
|      | 80A  | BKH 2P D80A  | 06110342R0 | 36                |       |
|      | 100A | BKH 2P D100A | 06110343R0 | 36                |       |
|      | 125A | BKH 2P D125A | 06110344R0 | 36                |       |
| 3P   | 63A  | BKH 3P D63A  | 06110349R0 | 24                |       |
|      | 80A  | BKH 3P D80A  | 06110350R0 | 24                |       |
|      | 100A | BKH 3P D100A | 06110351R0 | 24                |       |
|      | 125A | BKH 3P D125A | 06110352R0 | 24                |       |
| 4P   | 63A  | BKH 4P D63A  | 06110365R0 | 18                |       |
|      | 80A  | BKH 4P D80A  | 06110366R0 | 18                |       |
|      | 100A | BKH 4P D100A | 06110367R0 | 18                |       |
|      | 125A | BKH 4P D125A | 06110368R0 | 18                |       |

## BFN type



BFN

### Technical data

|                   |   |
|-------------------|---|
| Standard          | IEC 60947-2                                     |
| Approval          | SEMKO CB, CE                                    |
| Protection        | Overload and short circuit                      |
| Rated current     | 5, 10, 15, 20, 25, 30, 40, 50A                  |
| Rated voltage     | 1pole 10kA at 230VAC<br>2, 3pole 10kA at 400VAC |
| Breaking capacity | 10kA  |
| Number of poles   | 1, 2, 3pole                                     |
| Type of trip      | Thermal magnetic release                        |
| Type of terminal  | Lug type (14-6 AWG.)                            |
| Installation      | Plug-in   |
| Width             | 60mm  |
| Slot              | 56mm  |
| Accessory         | Not available                                   |

### BFN 10kA at 230VAC



1P

| In        | Model      | Order No.  | Pack. unit (Pcs.) | Price |
|-----------|------------|------------|-------------------|-------|
| 5A        | BFN 1P 5A  | 06110704R0 | 120               |       |
| 10A       | BFN 1P 10A | 06110705R0 | 120               |       |
| 15A       | BFN 1P 15A | 06110706R0 | 120               |       |
| 20A       | BFN 1P 20A | 06110707R0 | 120               |       |
| 30A       | BFN 1P 30A | 06110708R0 | 120               |       |
| 40A       | BFN 1P 40A | 06110709R0 | 120               |       |
| 50A       | BFN 1P 50A | 06110711R0 | 120               |       |
| Weight/pc |            |            | 0.14kg            |       |

### BFN 10kA at 400VAC



2P

| In        | Model      | Order No.  | Pack. unit (Pcs.) | Price |
|-----------|------------|------------|-------------------|-------|
| 5A        | BFN 2P 5A  | 06120681R0 | 60                |       |
| 10A       | BFN 2P 10A | 06120682R0 | 60                |       |
| 15A       | BFN 2P 15A | 06120683R0 | 60                |       |
| 20A       | BFN 2P 20A | 06120684R0 | 60                |       |
| 30A       | BFN 2P 30A | 06120685R0 | 60                |       |
| 40A       | BFN 2P 40A | 06120686R0 | 60                |       |
| 50A       | BFN 2P 50A | 06120687R0 | 60                |       |
| Weight/pc |            |            | 0.29kg            |       |

### BFN 10kA at 400VAC



3P

| In        | Model      | Order No.  | Pack. unit (Pcs.) | Price |
|-----------|------------|------------|-------------------|-------|
| 5A        | BFN 3P 5A  | 06130239R0 | 40                |       |
| 10A       | BFN 3P 10A | 06130240R0 | 40                |       |
| 15A       | BFN 3P 15A | 06130241R0 | 40                |       |
| 20A       | BFN 3P 20A | 06130242R0 | 40                |       |
| 30A       | BFN 3P 30A | 06130243R0 | 40                |       |
| 40A       | BFN 3P 40A | 06130244R0 | 40                |       |
| 50A       | BFN 3P 50A | 06130245R0 | 40                |       |
| Weight/pc |            |            | 0.43kg            |       |

# Residual Current Circuit Breakers With Overcurrent protection

## DIN rail mounting



RKP 1P+N

### RKP type

#### Technical data

|  |  |                                 |
|--|--|---------------------------------|
| Standard                               | IEC 61009  |                                 |
| Approval                               | CCC, SEMKO CB, CE, SABS                                |                                 |
| Protection                             | Ground fault and overcurrent                           |                                 |
| Rated current                          | 3 (C, D curve), 6, 10, 16, 20, 25, 32A (B, C, D curve) |                                 |
| Rated residual current                 | Operating, $I_{\Delta n}$                              | 30, 100, 300mA (Non-adjustable) |
|  | Non-operating, $I_{\Delta no}$                         | $0.5I_{\Delta n}$               |
| Rated voltage                          | 230VAC   |                                 |
| Breaking capacity                      | 4.5kA  |                                 |
| Number of poles                        | 1P+N   |                                 |
| Residual current off-time              | $\leq 0.1$ sec.  |                                 |
| Rated insulation voltage [Ui]          | 500V   |                                 |
| Rated impulse withstand voltage [Uimp] | 4kV  |                                 |
| Type of trip                           | Ground fault   | Electronic                      |
|  | Overcurrent  | Thermal-magnetic                |
| Electrical endurance                   | 4,000 operations                                       |                                 |
| Mount                                  | On 35mm DIN rail                                       |                                 |
| Width                                  | 9mm per pole   |                                 |
| Terminal                               | Lug type (Cable up to 10mm <sup>2</sup> )              |                                 |

### RKP B curve

| In  | $I_{\Delta n}$ | Model               | Order No.      | Pack. unit (Pcs.) |
|-----|----------------|---------------------|----------------|-------------------|
| 3A  | 30mA           | Not applicable      | Not applicable | Not applicable    |
|     | 100mA          | Not applicable      | Not applicable | Not applicable    |
|     | 300mA          | Not applicable      | Not applicable | Not applicable    |
| 6A  | 30mA           | RKP 1P+N B6A 30mA   | 06220123R0     | 60                |
|     | 100mA          | RKP 1P+N B6A 100mA  | 06220124R0     | 60                |
|     | 300mA          | RKP 1P+N B6A 300mA  | 06220125R0     | 60                |
| 10A | 30mA           | RKP 1P+N B10A 30mA  | 06220127R0     | 60                |
|     | 100mA          | RKP 1P+N B10A 100mA | 06220128R0     | 60                |
|     | 300mA          | RKP 1P+N B10A 300mA | 06220129R0     | 60                |
| 16A | 30mA           | RKP 1P+N B16A 30mA  | 06220131R0     | 60                |
|     | 100mA          | RKP 1P+N B16A 100mA | 06220132R0     | 60                |
|     | 300mA          | RKP 1P+N B16A 300mA | 06220133R0     | 60                |
| 20A | 30mA           | RKP 1P+N B20A 30mA  | 06220135R0     | 60                |
|     | 100mA          | RKP 1P+N B20A 100mA | 06220136R0     | 60                |
|     | 300mA          | RKP 1P+N B20A 300mA | 06220137R0     | 60                |
| 25A | 30mA           | RKP 1P+N B25A 30mA  | 06220139R0     | 60                |
|     | 100mA          | RKP 1P+N B25A 100mA | 06220140R0     | 60                |
|     | 300mA          | RKP 1P+N B25A 300mA | 06220141R0     | 60                |
| 32A | 30mA           | RKP 1P+N B32A 30mA  | 06220143R0     | 60                |
|     | 100mA          | RKP 1P+N B32A 100mA | 06220144R0     | 60                |
|     | 300mA          | RKP 1P+N B32A 300mA | 06220145R0     | 60                |





RKP 1P+N

## RKP type

### RKP C curve

| In  | $I_{\Delta n}$ | Model               | Order No.  | Pack. unit (Pcs.) |
|-----|----------------|---------------------|------------|-------------------|
| 3A  | 30mA           | RKP 1P+N C3A 30mA   | 06220147R0 | 60                |
|     | 100mA          | RKP 1P+N C3A 100mA  | 06220148R0 | 60                |
|     | 300mA          | RKP 1P+N C3A 300mA  | 06220149R0 | 60                |
| 6A  | 30mA           | RKP 1P+N C6A 30mA   | 06220151R0 | 60                |
|     | 100mA          | RKP 1P+N C6A 100mA  | 06220152R0 | 60                |
|     | 300mA          | RKP 1P+N C6A 300mA  | 06220153R0 | 60                |
| 10A | 30mA           | RKP 1P+N C10A 30mA  | 06220155R0 | 60                |
|     | 100mA          | RKP 1P+N C10A 100mA | 06220156R0 | 60                |
|     | 300mA          | RKP 1P+N C10A 300mA | 06220157R0 | 60                |
| 16A | 30mA           | RKP 1P+N C16A 30mA  | 06220159R0 | 60                |
|     | 100mA          | RKP 1P+N C16A 100mA | 06220160R0 | 60                |
|     | 300mA          | RKP 1P+N C16A 300mA | 06220161R0 | 60                |
| 20A | 30mA           | RKP 1P+N C20A 30mA  | 06220163R0 | 60                |
|     | 100mA          | RKP 1P+N C20A 100mA | 06220164R0 | 60                |
|     | 300mA          | RKP 1P+N C20A 300mA | 06220165R0 | 60                |
| 25A | 30mA           | RKP 1P+N C25A 30mA  | 06220167R0 | 60                |
|     | 100mA          | RKP 1P+N C25A 100mA | 06220168R0 | 60                |
|     | 300mA          | RKP 1P+N C25A 300mA | 06220169R0 | 60                |
| 32A | 30mA           | RKP 1P+N C32A 30mA  | 06220171R0 | 60                |
|     | 100mA          | RKP 1P+N C32A 100mA | 06220172R0 | 60                |
|     | 300mA          | RKP 1P+N C32A 300mA | 06220173R0 | 60                |



### RKP D curve

| In  | $I_{\Delta n}$ | Model               | Order No.  | Pack. unit (Pcs.) |
|-----|----------------|---------------------|------------|-------------------|
| 3A  | 30mA           | RKP 1P+N D3A 30mA   | 06220175R0 | 60                |
|     | 100mA          | RKP 1P+N D3A 100mA  | 06220176R0 | 60                |
|     | 300mA          | RKP 1P+N D3A 300mA  | 06220177R0 | 60                |
| 6A  | 30mA           | RKP 1P+N D6A 30mA   | 06220179R0 | 60                |
|     | 100mA          | RKP 1P+N D6A 100mA  | 06220180R0 | 60                |
|     | 300mA          | RKP 1P+N D6A 300mA  | 06220181R0 | 60                |
| 10A | 30mA           | RKP 1P+N D10A 30mA  | 06220183R0 | 60                |
|     | 100mA          | RKP 1P+N D10A 100mA | 06220184R0 | 60                |
|     | 300mA          | RKP 1P+N D10A 300mA | 06220185R0 | 60                |
| 16A | 30mA           | RKP 1P+N D16A 30mA  | 06220187R0 | 60                |
|     | 100mA          | RKP 1P+N D16A 100mA | 06220188R0 | 60                |
|     | 300mA          | RKP 1P+N D16A 300mA | 06220189R0 | 60                |
| 20A | 30mA           | RKP 1P+N D10A 30mA  | 06220191R0 | 60                |
|     | 100mA          | RKP 1P+N D10A 100mA | 06220192R0 | 60                |
|     | 300mA          | RKP 1P+N D10A 300mA | 06220193R0 | 60                |
| 25A | 30mA           | RKP 1P+N D25A 30mA  | 06220195R0 | 60                |
|     | 100mA          | RKP 1P+N D25A 100mA | 06220196R0 | 60                |
|     | 300mA          | RKP 1P+N D25A 300mA | 06220197R0 | 60                |
| 32A | 30mA           | RKP 1P+N D32A 30mA  | 06220199R0 | 60                |
|     | 100mA          | RKP 1P+N D32A 100mA | 06220200R0 | 60                |
|     | 300mA          | RKP 1P+N D32A 300mA | 06220201R0 | 60                |

# Residual Current Circuit Breakers With Overcurrent Protection

## DIN rail mounting

CE  
Certificate



RKS 1+N

### RKS type

#### Technical data

|  |  |                  |
|--|--|------------------|
| Standard                               | Confirming to IEC 61009                    |                  |
| Approval                               | SEMKO CB, CE, SABS                         |                  |
| Protection                             | Ground fault and overcurrent               |                  |
| Rated current                          | 6, 10, 16, 20, 25, 32A                     |                  |
| Rated voltage                          | 230VAC                                     |                  |
| Breaking capacity                      | 10kA                                       |                  |
| Characteristic                         | B, C curve                                 |                  |
| Rated residual operating current       | 30, 100mA                                  |                  |
| Number of poles                        | 1P+N                                       |                  |
| Rated insulation voltage [Ui]          | 500V                                       |                  |
| Rated impulse withstand voltage [Uimp] | 4kV  |                  |
| Type of trip                           | Ground fault                               | Electronic       |
|  | Overcurrent                                | Thermal-magnetic |
| Terminal                               | Lug type (Cables up to 10mm <sup>2</sup> ) |                  |
| Mount                                  | 35mm DIN rail                              |                  |
| Width                                  | 18mm                                       |                  |
| Electrical endurance                   | 4,000 operations                           |                  |

#### RKS B curve

| In  | I <sub>Δn</sub> | Model               | Order No.  | Pack. unit (Pcs.) |
|-----|-----------------|---------------------|------------|-------------------|
| 6A  | 30mA            | RKS 1P+N B6A 30mA   | 06220395R0 | 50                |
|     | 100mA           | RKS 1P+N B6A 100mA  | 06220396R0 | 50                |
| 10A | 30mA            | RKS 1P+N B10A 30mA  | 06220397R0 | 50                |
|     | 100mA           | RKS 1P+N B10A 100mA | 06220398R0 | 50                |
| 16A | 30mA            | RKS 1P+N B16A 30mA  | 06220399R0 | 50                |
|     | 100mA           | RKS 1P+N B16A 100mA | 06220400R0 | 50                |
| 20A | 30mA            | RKS 1P+N B20A 30mA  | 06220401R0 | 50                |
|     | 100mA           | RKS 1P+N B20A 100mA | 06220402R0 | 50                |
| 25A | 30mA            | RKS 1P+N B25A 30mA  | 06220403R0 | 50                |
|     | 100mA           | RKS 1P+N B25A 100mA | 06220404R0 | 50                |
| 32A | 30mA            | RKS 1P+N B32A 30mA  | 06220405R0 | 50                |
|     | 100mA           | RKS 1P+N B32A 100mA | 06220406R0 | 50                |

#### RKS C curve

| In  | I <sub>Δn</sub> | Model               | Order No.  | Pack. unit (Pcs.) |
|-----|-----------------|---------------------|------------|-------------------|
| 6A  | 30mA            | RKS 1P+N C6A 30mA   | 06220407R0 | 50                |
|     | 100mA           | RKS 1P+N C6A 100mA  | 06220408R0 | 50                |
| 10A | 30mA            | RKS 1P+N C10A 30mA  | 06220409R0 | 50                |
|     | 100mA           | RKS 1P+N C10A 100mA | 06220410R0 | 50                |
| 16A | 30mA            | RKS 1P+N C16A 30mA  | 06220411R0 | 50                |
|     | 100mA           | RKS 1P+N C16A 100mA | 06220412R0 | 50                |
| 20A | 30mA            | RKS 1P+N C20A 30mA  | 06220413R0 | 50                |
|     | 100mA           | RKS 1P+N C20A 100mA | 06220414R0 | 50                |
| 25A | 30mA            | RKS 1P+N C25A 30mA  | 06220415R0 | 50                |
|     | 100mA           | RKS 1P+N C25A 100mA | 06220416R0 | 50                |
| 32A | 30mA            | RKS 1P+N C32A 30mA  | 06220417R0 | 50                |
|     | 100mA           | RKS 1P+N C32A 100mA | 06220418R0 | 50                |



RKS-b 1+N

## RKS-b type

### Technical data

|   |  |                  |
|---|--|------------------|
| Standard  | Confirming to IEC 61009                    |                  |
| Approval  | SEMKO CB, CE                               |                  |
| Protection  | Ground fault and overcurrent               |                  |
| Rated current                                       | 6, 10, 16, 20, 25, 32, 40, 50A             |                  |
| Rated voltage                                       | 240VAC                                     |                  |
| Breaking capacity                                   | 10kA                                       |                  |
| Characteristic                                      | B, C curve                                 |                  |
| Rated residual operating current                    | 30, 100mA                                  |                  |
| Number of poles                                     | 1P+N                                       |                  |
| Rated insulation voltage [U <sub>i</sub> ]          | 500V                                       |                  |
| Rated impulse withstand voltage [U <sub>imp</sub> ] | 4kV  |                  |
| Type of trip  | Ground fault                               | Electronic       |
|   | Overcurrent                                | Thermal-magnetic |
| Terminal  | Lug type (Cables up to 10mm <sup>2</sup> ) |                  |
| Mount   | 35mm DIN rail                              |                  |
| Width   | 18mm                                       |                  |
| Electrical endurance                                | 4,000 operations                           |                  |

### RKS B curve

| In  | I <sub>Δn</sub> | Model                 | Order No.  | Pack. unit (Pcs.) |
|-----|-----------------|-----------------------|------------|-------------------|
| 6A  | 30mA            | RKS-b 1P+N B6A 30mA   | 06220615R0 | 50                |
|     | 100mA           | RKS-b 1P+N B6A 100mA  | 06220616R0 | 50                |
| 10A | 30mA            | RKS-b 1P+N B10A 30mA  | 06220617R0 | 50                |
|     | 100mA           | RKS-b 1P+N B10A 100mA | 06220618R0 | 50                |
| 16A | 30mA            | RKS-b 1P+N B16A 30mA  | 06220619R0 | 50                |
|     | 100mA           | RKS-b 1P+N B16A 100mA | 06220620R0 | 50                |
| 20A | 30mA            | RKS-b 1P+N B20A 30mA  | 06220621R0 | 50                |
|     | 100mA           | RKS-b 1P+N B20A 100mA | 06220622R0 | 50                |
| 25A | 30mA            | RKS-b 1P+N B25A 30mA  | 06220623R0 | 50                |
|     | 100mA           | RKS-b 1P+N B25A 100mA | 06220624R0 | 50                |
| 32A | 30mA            | RKS-b 1P+N B32A 30mA  | 06220625R0 | 50                |
|     | 100mA           | RKS-b 1P+N B32A 100mA | 06220626R0 | 50                |
| 40A | 30mA            | RKS-b 1P+N B40A 30mA  | 06220627R0 | 50                |
|     | 100mA           | RKS-b 1P+N B40A 100mA | 06220628R0 | 50                |
| 50A | 30mA            | RKS-b 1P+N B50A 30mA  | 06220629R0 | 50                |
|     | 100mA           | RKS-b 1P+N B50A 100mA | 06220630R0 | 50                |

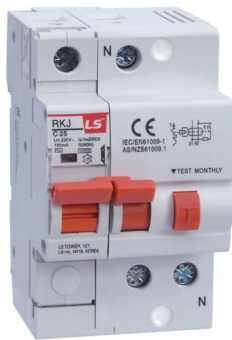
### RKS C curve

| In  | I <sub>Δn</sub> | Model                 | Order No.  | Pack. unit (Pcs.) |
|-----|-----------------|-----------------------|------------|-------------------|
| 6A  | 30mA            | RKS-b 1P+N C6A 30mA   | 06220647R0 | 50                |
|     | 100mA           | RKS-b 1P+N C6A 100mA  | 06220648R0 | 50                |
| 10A | 30mA            | RKS-b 1P+N C10A 30mA  | 06220649R0 | 50                |
|     | 100mA           | RKS-b 1P+N C10A 100mA | 06220650R0 | 50                |
| 16A | 30mA            | RKS-b 1P+N C16A 30mA  | 06220651R0 | 50                |
|     | 100mA           | RKS-b 1P+N C16A 100mA | 06220652R0 | 50                |
| 20A | 30mA            | RKS-b 1P+N C20A 30mA  | 06220653R0 | 50                |
|     | 100mA           | RKS-b 1P+N C20A 100mA | 06220654R0 | 50                |
| 25A | 30mA            | RKS-b 1P+N C25A 30mA  | 06220655R0 | 50                |
|     | 100mA           | RKS-b 1P+N C25A 100mA | 06220656R0 | 50                |
| 32A | 30mA            | RKS-b 1P+N C32A 30mA  | 06220657R0 | 50                |
|     | 100mA           | RKS-b 1P+N C32A 100mA | 06220658R0 | 50                |
| 40A | 30mA            | RKS-b 1P+N C40A 30mA  | 06220659R0 | 50                |
|     | 100mA           | RKS-b 1P+N C40A 100mA | 06220660R0 | 50                |
| 50A | 30mA            | RKS-b 1P+N C50A 30mA  | 06220661R0 | 50                |
|     | 100mA           | RKS-b 1P+N C50A 100mA | 06220662R0 | 50                |

# Residual Current Circuit Breakers With Overcurrent Protection

## DIN rail mounting

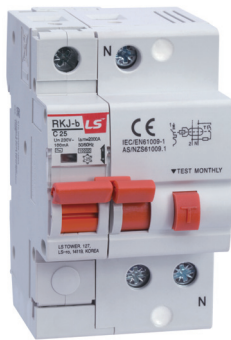
### RKJ type



RKJ 1+N

#### Technical data

|                                    |                              |  |
|------------------------------------|------------------------------|--|
| Standard                           |                              | IEC61009-1   |
| Approval                           |                              | SEMKO CB   |
| Protection                         |                              | Ground fault and overcurrent                         |
| Poles                              |                              | 1P+N, 2P, 3P, 3P+N, 4P                               |
| Rated current, I <sub>n</sub>      |                              | 1, 2, 3, 4, 5, 6, 10, 13, 16, 20, 25, 32, 40, 50, 63 |
| Breaking capacity                  |                              | 6kA  |
| Rated residual current             | Operating, I $\Delta$ n      | 30, 100, 300mA                                       |
|                                    | Non-Operating, I $\Delta$ no | 0.5I $\Delta$ n                                      |
| Tripping curve                     |                              | B, C, D  |
| Rated voltage                      |                              | 230V (1P+N, 2P),<br>400V (3P, 3P+N, 4P)              |
| Residual current off-time          |                              | $\leq 0.1$ sec                                       |
| Type of operation                  |                              | A/AC   |
| Type of trip                       | Ground fault                 | Electro-magnetic                                     |
|                                    | Overcurrent                  | Thermal-magnetic                                     |
| Conditional short circuit capacity | Electrical endurance         | 4,000  |
|                                    | Mechanical endurance         | 10,000   |
| Mounting                           |                              | On 35mm DIN rail                                     |
| Width                              |                              | 53.6mm for 1P+N<br>(17.8mm per pole)                 |
| Terminal                           |                              | Lug type (cable up to 25mm <sup>2</sup> )            |



RKJ-b 1+N

## RKJ-b type

### Technical data

|                                    |  |                  |
|------------------------------------|--|------------------|
| Standard                           | IEC61009-1   |                  |
| Approval                           | SEMKO CB   |                  |
| Protection                         | Ground fault and overcurrent                         |                  |
| Poles                              | 1P+N, 2P, 3P, 3P+N, 4P                               |                  |
| Rated current, I <sub>n</sub>      | 1, 2, 3, 4, 5, 6, 10, 13, 16, 20, 25, 32, 40, 50, 63 |                  |
| Breaking capacity                  | 10kA   |                  |
| Rated residual current             | Operating, I $\Delta$ n                              | 30, 100, 300mA   |
|                                    | Non-Operating, I $\Delta$ no                         | 0.5I $\Delta$ n  |
| Tripping curve                     | B, C, D  |                  |
| Rated voltage                      | 230V (1P+N, 2P),                                     |                  |
|                                    | 400V (3P, 3P+N, 4P)                                  |                  |
| Residual current off-time          | ≤0.1sec  |                  |
| Type of operation                  | A/AC   |                  |
| Type of trip                       | Ground fault   | Electro-magnetic |
|                                    | Overcurrent  | Thermal-magnetic |
| Conditional short circuit capacity | Electrical endurance                                 | 4,000            |
|                                    | Mechanical endurance                                 | 10,000           |
| Mounting                           | On 35mm DIN rail                                     |                  |
| Width                              | 53.6mm for 1P+N                                      |                  |
|                                    | (17.8mm per pole)                                    |                  |
| Terminal                           | Lug type (cable up to 25mm <sup>2</sup> )            |                  |

# Residual Current Circuit Breakers With Overcurrent Protection

## DIN rail mounting



RKC 1+N

### RKC type

#### Technical data

|  |  |                  |
|--|--|------------------|
| Standard                               | Confirming to IEC 61009                    |                  |
| Approval                               | SEMKO CB, CE                               |                  |
| Protection                             | Ground fault and overcurrent               |                  |
| Rated current                          | 6, 10, 16, 20, 25, 32A                     |                  |
| Rated voltage                          | 240VAC                                     |                  |
| Breaking capacity                      | 6kA (32A 4.5kA)                            |                  |
| Characteristic                         | B, C curve                                 |                  |
| Rated residual operating current       | 10, 30mA                                   |                  |
| Number of poles                        | 1P+N                                       |                  |
| Rated insulation voltage [Ui]          | 600V                                       |                  |
| Rated impulse withstand voltage [Uimp] | 4kV  |                  |
| Type of trip                           | Ground fault                               | Electronic       |
|  | Overcurrent                                | Thermal-magnetic |
| Terminal                               | Lug type (Cables up to 10mm <sup>2</sup> ) |                  |
| Mount                                  | 35mm DIN rail                              |                  |
| Width                                  | 18mm                                       |                  |
| Electrical endurance                   | 4,000 operations                           |                  |

#### RKC B curve AC type new ROGY

| In  | I <sub>Δn</sub> | Model                    | Order No.  | Pack. unit (Pcs.) |
|-----|-----------------|--------------------------|------------|-------------------|
| 6A  | 10mA            | RKC 1P+N B6A 10mA 6kA    | 06221020R0 | 12                |
|     | 30mA            | RKC 1P+N B6A 30mA 6kA    | 06221026R0 | 12                |
| 10A | 10mA            | RKC 1P+N B10A 10mA 6kA   | 06221021R0 | 12                |
|     | 30mA            | RKC 1P+N B10A 30mA 6kA   | 06221027R0 | 12                |
| 16A | 10mA            | RKC 1P+N B16A 10mA 6kA   | 06221022R0 | 12                |
|     | 30mA            | RKC 1P+N B16A 30mA 6kA   | 06221028R0 | 12                |
| 20A | 10mA            | RKC 1P+N B20A 10mA 6kA   | 06221023R0 | 12                |
|     | 30mA            | RKC 1P+N B20A 30mA 6kA   | 06221029R0 | 12                |
| 25A | 10mA            | RKC 1P+N B25A 10mA 6kA   | 06221024R0 | 12                |
|     | 30mA            | RKC 1P+N B25A 30mA 6kA   | 06221030R0 | 12                |
| 32A | 10mA            | RKC 1P+N B32A 10mA 4.5kA | 06221025R0 | 12                |
|     | 30mA            | RKC 1P+N B32A 30mA 4.5kA | 06221031R0 | 12                |

#### RKC C curve AC type new ROGY

| In  | I <sub>Δn</sub> | Model                    | Order No.  | Pack. unit (Pcs.) |
|-----|-----------------|--------------------------|------------|-------------------|
| 6A  | 10mA            | RKC 1P+N C6A 10mA 6kA    | 06221032R0 | 12                |
|     | 30mA            | RKC 1P+N C6A 30mA 6kA    | 06221038R0 | 12                |
| 10A | 10mA            | RKC 1P+N C10A 10mA 6kA   | 06221033R0 | 12                |
|     | 30mA            | RKC 1P+N C10A 30mA 6kA   | 06221039R0 | 12                |
| 16A | 10mA            | RKC 1P+N C16A 10mA 6kA   | 06221034R0 | 12                |
|     | 30mA            | RKC 1P+N C16A 30mA 6kA   | 06221040R0 | 12                |
| 20A | 10mA            | RKC 1P+N C20A 10mA 6kA   | 06221035R0 | 12                |
|     | 30mA            | RKC 1P+N C20A 30mA 6kA   | 06221041R0 | 12                |
| 25A | 10mA            | RKC 1P+N C25A 10mA 6kA   | 06221036R0 | 12                |
|     | 30mA            | RKC 1P+N C25A 30mA 6kA   | 06221042R0 | 12                |
| 32A | 10mA            | RKC 1P+N C32A 10mA 4.5kA | 06221037R0 | 12                |
|     | 30mA            | RKC 1P+N C32A 30mA 4.5kA | 06221043R0 | 12                |

CE  
Certificate



RKC 1+N

## RKC type

### RKC B curve A type new ROGY

| In  | I <sub>Δn</sub> | Model                    | Order No.  | Pack. unit (Pcs.) |
|-----|-----------------|--------------------------|------------|-------------------|
| 6A  | 10mA            | RKC 1P+N B6A 10mA 6kA    | 06221044R0 | 12                |
|     | 30mA            | RKC 1P+N B6A 30mA 6kA    | 06221050R0 | 12                |
| 10A | 10mA            | RKC 1P+N B10A 10mA 6kA   | 06221045R0 | 12                |
|     | 30mA            | RKC 1P+N B10A 30mA 6kA   | 06221051R0 | 12                |
| 16A | 10mA            | RKC 1P+N B16A 10mA 6kA   | 06221046R0 | 12                |
|     | 30mA            | RKC 1P+N B16A 30mA 6kA   | 06221052R0 | 12                |
| 20A | 10mA            | RKC 1P+N B20A 10mA 6kA   | 06221047R0 | 12                |
|     | 30mA            | RKC 1P+N B20A 30mA 6kA   | 06221053R0 | 12                |
| 25A | 10mA            | RKC 1P+N B25A 10mA 6kA   | 06221048R0 | 12                |
|     | 30mA            | RKC 1P+N B25A 30mA 6kA   | 06221054R0 | 12                |
| 32A | 10mA            | RKC 1P+N B32A 10mA 4.5kA | 06221049R0 | 12                |
|     | 30mA            | RKC 1P+N B32A 30mA 4.5kA | 06221055R0 | 12                |

### RKC C curve A type new ROGY

| In  | I <sub>Δn</sub> | Model                    | Order No.  | Pack. unit (Pcs.) |
|-----|-----------------|--------------------------|------------|-------------------|
| 6A  | 10mA            | RKC 1P+N C6A 10mA 6kA    | 06221056R0 | 12                |
|     | 30mA            | RKC 1P+N C6A 30mA 6kA    | 06221062R0 | 12                |
| 10A | 10mA            | RKC 1P+N C10A 10mA 6kA   | 06221057R0 | 12                |
|     | 30mA            | RKC 1P+N C10A 30mA 6kA   | 06221063R0 | 12                |
| 16A | 10mA            | RKC 1P+N C16A 10mA 6kA   | 06221058R0 | 12                |
|     | 30mA            | RKC 1P+N C16A 30mA 6kA   | 06221064R0 | 12                |
| 20A | 10mA            | RKC 1P+N C20A 10mA 6kA   | 06221059R0 | 12                |
|     | 30mA            | RKC 1P+N C20A 30mA 6kA   | 06221065R0 | 12                |
| 25A | 10mA            | RKC 1P+N C25A 10mA 6kA   | 06221060R0 | 12                |
|     | 30mA            | RKC 1P+N C25A 30mA 6kA   | 06221066R0 | 12                |
| 32A | 10mA            | RKC 1P+N C32A 10mA 4.5kA | 06221061R0 | 12                |
|     | 30mA            | RKC 1P+N C32A 30mA 4.5kA | 06221067R0 | 12                |

# Residual Current Circuit Breakers With Overcurrent Protection

## DIN rail & Screw type



32KGRc/d

### KGR type

#### Technical data

|                                |  |        |
|--------------------------------|--|--------|
| Type                           | 32KGRc   | 32KGRd |
| Protection                     | Ground fault and overcurrent                       |        |
| Rated current                  | 15, 20, 30A  |        |
| Rated residual current         |  |        |
| Operating, $I_{\Delta n}$      | 15, 30mA (Non-adjustable)                          |        |
| Non-operating, $I_{\Delta no}$ | 0.5 $I_{\Delta n}$                                 |        |
| Number of poles                | 2pole  |        |
| Rated voltage                  | 110/220VAC   |        |
| Residual current off-time      | ≤ 0.03 sec.  |        |
| Standard                       | IEC 61009, KS                                      |        |
| Approval                       | CCC CB   |        |
| Type of trip                   |  |        |
| Ground fault                   | Electronic   |        |
| Overcurrent                    | Bimetallic   |        |
| Breaking capacity              | 1.5kA  | 2.5kA  |
| Electrical endurance           | 4,000 operations                                   |        |
| Mount                          | On 35mm DIN rail                                   |        |
| Width                          | 35mm   |        |
| Terminal                       | Screw clamp type (Cable up to 5.5mm <sup>2</sup> ) |        |

#### 32KGRc type

| In  | $I_{\Delta n}$ | Model                 | Order No.  | Pack. unit (Pcs.) |
|-----|----------------|-----------------------|------------|-------------------|
| 15A | 15mA           | 32KGRc 15A 15mA 0.03s | 0750000400 | 60                |
|     | 30mA           | 32KGRc 15A 30mA 0.03s | 0750000100 | 60                |
| 20A | 15mA           | 32KGRc 20A 15mA 0.03s | 0750000500 | 60                |
|     | 30mA           | 32KGRc 20A 30mA 0.03s | 0750000200 | 60                |
| 32A | 15mA           | 32KGRc 30A 15mA 0.03s | 0750000600 | 60                |
|     | 30mA           | 32KGRc 30A 30mA 0.03s | 0750000300 | 60                |

#### 32KGRd type

| In  | $I_{\Delta n}$ | Model                 | Order No.  | Pack. unit (Pcs.) |
|-----|----------------|-----------------------|------------|-------------------|
| 15A | 15mA           | 32KGRd 15A 15mA 0.03s | 0748001000 | 60                |
|     | 30mA           | 32KGRd 15A 30mA 0.03s | 0748001100 | 60                |
| 20A | 15mA           | 32KGRd 20A 15mA 0.03s | 0748001200 | 60                |
|     | 30mA           | 32KGRd 20A 30mA 0.03s | 0748001300 | 60                |
| 32A | 15mA           | 32KGRd 30A 15mA 0.03s | 0748001400 | 60                |
|     | 30mA           | 32KGRd 30A 30mA 0.03s | 0748001500 | 60                |



## GRh type



32GRhN

### Technical data

|                                |  |        |        |
|--------------------------------|--|--------|--------|
| Type                           | 32GRh  |        |        |
|                                | N type   | S type | H type |
| Number of poles                | 2pole  |        |        |
| Protection                     | Ground fault and overcurrent                       |        |        |
| Rated current                  | 15, 20, 30A  |        |        |
| Rated residual current         |  |        |        |
| Operating, $I_{\Delta n}$      | 15, 30mA (Non-adjustable)                          |        |        |
| Non-operating, $I_{\Delta no}$ | 0.5 $I_{\Delta n}$                                 |        |        |
| Rated voltage                  | 110/220/230VAC                                     |        |        |
| Residual current off-time      | $\leq 0.03$ sec.                                   |        |        |
| Standard                       | CB (IEC60947/IEC61009-1)                           |        |        |
| Type of trip                   |  |        |        |
| Ground fault                   | Electronic   |        |        |
| Overcurrent                    | Bimetallic   |        |        |
| Frequency                      | 50/60Hz  |        |        |
| Rated insulation voltage       | 300V   |        |        |
| Rated impulse voltage          | 4kV  |        |        |
| Breaking capacity              | 1.5kA  | 2.5kA  | 3.5kA  |
| $I_{cs}=\%I_{cu}$              | 50%  |        |        |
| Electrical endurance           | 4,000 operations                                   |        |        |
| Mount                          | On 35mm DIN rail                                   |        |        |
| Width                          | 32mm   |        |        |
| Terminal                       | Screw clamp type (Cable up to 5.5mm <sup>2</sup> ) |        |        |

# Residual Current Circuit Breakers With Overcurrent Protection

## DIN rail & Screw type

CE  
Certificate



BS32c/d

### BS type

#### Technical data

|                                |  |                 |
|--------------------------------|--|-----------------|
| Type                           | BS32c  | BS32d           |
| Protection                     | Overload and short circuit                         |                 |
| Rated current                  | 6, 10, 15, 20, 30A                                 | 10, 15, 20, 30A |
| Rated residual current         |  |                 |
| Operating, $I_{\Delta n}$      | 15, 30mA (Non-adjustable)                          |                 |
| Non-operating, $I_{\Delta no}$ | 0.5 $I_{\Delta n}$                                 |                 |
| Number of poles                | 2pole  |                 |
| Rated voltage                  | 110/220VAC   |                 |
| Residual current off-time      | ≤ 0.03 sec.  |                 |
| Standard                       | IEC 60898-1, KS                                    |                 |
| Approval                       | CCC CB   |                 |
| Type of trip                   |  |                 |
| Ground fault                   | Electronic   |                 |
| Overcurrent                    | Bimetallic   |                 |
| Breaking capacity              | 1.5kA  | 2.5kA           |
| Electrical endurance           | 4,000 operations                                   |                 |
| Mount                          | On 35mm DIN rail                                   |                 |
| Width                          | 35mm   |                 |
| Terminal                       | Screw clamp type (Cable up to 5.5mm <sup>2</sup> ) |                 |

# Residual Current Circuit Breakers DIN rail mounting

Miniature Circuit Breakers &  
Residual Current Devices

CE  
Certificate



## RKN type

### Technical data

|   |  |
|---|--|
| Standard  | Confirming to IEC61008                           |
| Protection  | Ground fault                                     |
| Rated current                                     | 25, 32, 40, 63A                                  |
| Number of poles                                   | 2 (1+N), 4 (3+N)pole                             |
| Rated sensitivity currents, $I_{\Delta n}$        | 30, 100, 300mA                                   |
| Rated residual non-operating current              | $0.5 \times I_{\Delta n}$                        |
| Rated voltage                                     | 2pole 240VAC<br>4pole 240/415VAC                 |
| Residual current off-time at $I_{\Delta n}$       | $\leq 0.1s$                                      |
| Rated insulation voltage [ $U_i$ ]                | 500V   |
| Rated impulse withstand voltage [ $U_{imp}$ ]     | 4kV  |
| Rated making capacity, $I_m$                      | 500A for $I_n=25, 32, 40A$<br>630A for $I_n=63A$ |
| Rated conditional short-circuit current, $I_{nc}$ | 6kA for $I_n=25, 32, 40, 63A$                    |
| Type of trip                                      | Electro-magnetic                                 |
| Type of terminal                                  | Lug type   |
| Terminal capacity                                 | Cables up to 35mm <sup>2</sup>                   |
| Installation                                      | 35mm DIN rail                                    |
| Type of operation                                 | A/AC   |
| Slot size   | 45mm   |

### Order No.

| Pole | $I_n$ | $I_{\Delta n}$ | Model              | Order No.  | Pack. unit (Pcs.) |
|------|-------|----------------|--------------------|------------|-------------------|
| 1P+N | 25A   | 30mA           | RKN 1P+N 25A 30mA  | 06220103R0 | 60                |
|      |       |                | RKN 1P+N 32A 30mA  | 06220106R0 | 60                |
|      |       |                | RKN 1P+N 40A 30mA  | 06220109R0 | 60                |
|      |       |                | RKN 1P+N 63A 30mA  | 06220112R0 | 60                |
|      | 32A   | 100mA          | RKN 1P+N 25A 100mA | 06220104R0 | 60                |
|      |       |                | RKN 1P+N 32A 100mA | 06220107R0 | 60                |
|      |       |                | RKN 1P+N 40A 100mA | 06220110R0 | 60                |
|      |       |                | RKN 1P+N 63A 100mA | 06220113R0 | 60                |
|      | 40A   | 300mA          | RKN 1P+N 25A 300mA | 06220105R0 | 60                |
|      |       |                | RKN 1P+N 32A 300mA | 06220108R0 | 60                |
|      |       |                | RKN 1P+N 40A 300mA | 06220111R0 | 60                |
|      |       |                | RKN 1P+N 63A 300mA | 06220114R0 | 60                |

| Pole | $I_n$ | $I_{\Delta n}$ | Model              | Order No.  | Pack. unit (Pcs.) |
|------|-------|----------------|--------------------|------------|-------------------|
| 3P+N | 25A   | 30mA           | RKN 3P+N 25A 30mA  | 06240013R0 | 30                |
|      |       |                | RKN 3P+N 32A 30mA  | 06240016R0 | 30                |
|      |       |                | RKN 3P+N 40A 30mA  | 06240019R0 | 30                |
|      |       |                | RKN 3P+N 63A 30mA  | 06240022R0 | 30                |
|      | 32A   | 100mA          | RKN 3P+N 25A 100mA | 06240014R0 | 30                |
|      |       |                | RKN 3P+N 32A 100mA | 06240017R0 | 30                |
|      |       |                | RKN 3P+N 40A 100mA | 06240020R0 | 30                |
|      |       |                | RKN 3P+N 63A 100mA | 06240023R0 | 30                |
|      | 40A   | 300mA          | RKN 3P+N 25A 300mA | 06240015R0 | 30                |
|      |       |                | RKN 3P+N 32A 300mA | 06240018R0 | 30                |
|      |       |                | RKN 3P+N 40A 300mA | 06240021R0 | 30                |
|      |       |                | RKN 3P+N 63A 300mA | 06240024R0 | 30                |

# Residual Current Circuit Breakers

## DIN rail mounting

### RKN type

#### Order No. A type



| Pole | In  | I <sub>Δn</sub> | Model                     | Order No.  | Pack. unit (Pcs.) |
|------|-----|-----------------|---------------------------|------------|-------------------|
| 1P+N | 25A | 30mA            | RKN 1P+N 25A 30mA A type  | 06220444R0 | 60                |
|      |     |                 | RKN 1P+N 32A 30mA A type  | 06220447R0 | 60                |
|      |     |                 | RKN 1P+N 40A 30mA A type  | 06220450R0 | 60                |
|      |     |                 | RKN 1P+N 63A 30mA A type  | 06220453R0 | 60                |
|      | 25A | 100mA           | RKN 1P+N 25A 100mA A type | 06220445R0 | 60                |
|      |     |                 | RKN 1P+N 32A 100mA A type | 06220448R0 | 60                |
|      |     |                 | RKN 1P+N 40A 100mA A type | 06220451R0 | 60                |
|      |     |                 | RKN 1P+N 63A 100mA A type | 06220454R0 | 60                |
|      | 25A | 300mA           | RKN 1P+N 25A 300mA A type | 06220446R0 | 60                |
|      |     |                 | RKN 1P+N 32A 300mA A type | 06220449R0 | 60                |
|      |     |                 | RKN 1P+N 40A 300mA A type | 06220452R0 | 60                |
|      |     |                 | RKN 1P+N 63A 300mA A type | 06220455R0 | 60                |

| Pole | In  | I <sub>Δn</sub> | Model                     | Order No.  | Pack. unit (Pcs.) |
|------|-----|-----------------|---------------------------|------------|-------------------|
| 3P+N | 25A | 30mA            | RKN 3P+N 25A 30mA A type  | 06220456R0 | 30                |
|      |     |                 | RKN 3P+N 32A 30mA A type  | 06220459R0 | 30                |
|      |     |                 | RKN 3P+N 40A 30mA A type  | 06220462R0 | 30                |
|      |     |                 | RKN 3P+N 63A 30mA A type  | 06220465R0 | 30                |
|      | 25A | 100mA           | RKN 3P+N 25A 100mA A type | 06220457R0 | 30                |
|      |     |                 | RKN 3P+N 32A 100mA A type | 06220460R0 | 30                |
|      |     |                 | RKN 3P+N 40A 100mA A type | 06220463R0 | 30                |
|      |     |                 | RKN 3P+N 63A 100mA A type | 06220466R0 | 30                |
|      | 25A | 300mA           | RKN 3P+N 25A 300mA A type | 06220458R0 | 30                |
|      |     |                 | RKN 3P+N 32A 300mA A type | 06220461R0 | 30                |
|      |     |                 | RKN 3P+N 40A 300mA A type | 06220464R0 | 30                |
|      |     |                 | RKN 3P+N 63A 300mA A type | 06220467R0 | 30                |



## RKN-b type

### Technical data

|   |  |                 |
|---|--|-----------------|
| Standard  | Confirming to IEC61008   |                 |
| Protection  | Ground fault   |                 |
| Rated current                                     | 63AF: 25, 40, 63A  | 100AF: 80, 100A |
| Number of poles                                   | 2 (1+N), 4 (3+N)pole   |                 |
| Rated sensitivity currents, $I_{\Delta n}$        | 30, 100, 300mA   |                 |
| Rated residual non-operating current              | $0.5 \times I_{\Delta n}$  |                 |
| Rated voltage                                     | 2pole  | 240VAC          |
|   | 4pole  | 240/415VAC      |
| Residual current off-time at $I_{\Delta n}$       | $\leq 0.1s$  |                 |
| Rated insulation voltage [ $U_i$ ]                | 500V   |                 |
| Rated impulse withstand voltage [ $U_{imp}$ ]     | 4kV  |                 |
| Rated making capacity, $I_m$                      | 500A for $I_n=25, 32, 40A$<br>630A for $I_n=63A$<br>800A for $I_n=80A$<br>1000A for $I_n=100A$ |                 |
| Rated conditional short-circuit current, $I_{nc}$ | 10kA for $I_n=25, 40, 63, 80, 100A$  |                 |
| Type of trip                                      | Electro-magnetic   |                 |
| Type of terminal                                  | Lug type   |                 |
| Terminal capacity                                 | Cables up to 35mm <sup>2</sup>   |                 |
| Installation                                      | 35mm DIN rail  |                 |
| Type of operation                                 | A/AC   |                 |
| Slot size   | 45mm   |                 |

### Order No.

| Pole | $I_n$ | $I_{\Delta n}$ | Model                 | Order No.  | Pack. unit (Pcs.) |
|------|-------|----------------|-----------------------|------------|-------------------|
| 1P+N | 25A   | 30mA           | RKN-b 1P+N 25A 30mA   | 06220663R0 | 60                |
|      |       |                | RKN-b 1P+N 40A 30mA   | 06220669R0 | 60                |
|      |       |                | RKN-b 1P+N 63A 30mA   | 06220672R0 | 60                |
|      |       |                | RKN-b 1P+N 80A 30mA   | 06220678R0 | 60                |
|      |       |                | RKN-b 1P+N 100A 30mA  | 06220681R0 | 60                |
|      | 40A   | 100mA          | RKN-b 1P+N 25A 100mA  | 06220664R0 | 60                |
|      |       |                | RKN-b 1P+N 40A 100mA  | 06220670R0 | 60                |
|      |       |                | RKN-b 1P+N 63A 100mA  | 06220673R0 | 60                |
|      |       |                | RKN-b 1P+N 80A 100mA  | 06220679R0 | 60                |
|      |       |                | RKN-b 1P+N 100A 100mA | 06220682R0 | 60                |
|      | 63A   | 300mA          | RKN-b 1P+N 25A 300mA  | 06220665R0 | 60                |
|      |       |                | RKN-b 1P+N 40A 300mA  | 06220671R0 | 60                |
|      |       |                | RKN-b 1P+N 63A 300mA  | 06220674R0 | 60                |
|      |       |                | RKN-b 1P+N 80A 300mA  | 06220680R0 | 60                |
|      |       |                | RKN-b 1P+N 100A 300mA | 06220683R0 | 60                |

| Pole | $I_n$ | $I_{\Delta n}$ | Model                 | Order No.  | Pack. unit (Pcs.) |
|------|-------|----------------|-----------------------|------------|-------------------|
| 1P+N | 25A   | 30mA           | RKN-b 3P+N 25A 100mA  | 06240095R0 | 30                |
|      |       |                | RKN-b 3P+N 40A 100mA  | 06240101R0 | 30                |
|      |       |                | RKN-b 3P+N 63A 100mA  | 06240104R0 | 30                |
|      |       |                | RKN-b 3P+N 80A 100mA  | 06240110R0 | 30                |
|      |       |                | RKN-b 3P+N 100A 100mA | 06240113R0 | 30                |
|      | 40A   | 100mA          | RKN-b 3P+N 25A 300mA  | 06240096R0 | 30                |
|      |       |                | RKN-b 3P+N 40A 300mA  | 06240102R0 | 30                |
|      |       |                | RKN-b 3P+N 63A 300mA  | 06240105R0 | 30                |
|      |       |                | RKN-b 3P+N 80A 300mA  | 06240111R0 | 30                |
|      |       |                | RKN-b 3P+N 100A 300mA | 06240114R0 | 30                |
|      | 63A   | 300mA          | RKN-b 3P+N 25A 300mA  | 06240096R0 | 30                |
|      |       |                | RKN-b 3P+N 40A 300mA  | 06240102R0 | 30                |
|      |       |                | RKN-b 3P+N 63A 300mA  | 06240105R0 | 30                |
|      |       |                | RKN-b 3P+N 80A 300mA  | 06240111R0 | 30                |
|      |       |                | RKN-b 3P+N 100A 300mA | 06240114R0 | 30                |

# Residual Current Circuit Breakers

## DIN rail mounting

### RKN-b type

#### Order No. A type



| Pole | In  | I <sub>Δn</sub> | Model                       | Order No.  | Pack. unit (Pcs.) |
|------|-----|-----------------|-----------------------------|------------|-------------------|
| 1P+N | 25A | 30mA            | RKN-b 1P+N 25A 30mA A type  | 06220749R0 | 60                |
|      |     |                 | RKN-b 1P+N 40A 30mA A type  | 06220755R0 | 60                |
|      |     |                 | RKN-b 1P+N 63A 30mA A type  | 06220758R0 | 60                |
|      | 40A | 100mA           | RKN-b 1P+N 25A 100mA A type | 06220750R0 | 60                |
|      |     |                 | RKN-b 1P+N 40A 100mA A type | 06220756R0 | 60                |
|      |     |                 | RKN-b 1P+N 63A 100mA A type | 06220759R0 | 60                |
|      | 63A | 300mA           | RKN-b 1P+N 25A 300mA A type | 06220751R0 | 60                |
|      |     |                 | RKN-b 1P+N 40A 300mA A type | 06220757R0 | 60                |
|      |     |                 | RKN-b 1P+N 63A 300mA A type | 06220760R0 | 60                |

| Pole | In  | I <sub>Δn</sub> | Model                       | Order No.  | Pack. unit (Pcs.) |
|------|-----|-----------------|-----------------------------|------------|-------------------|
| 3P+N | 25A | 30mA            | RKN-b 3P+N 25A 30mA A type  | 06240148R0 | 30                |
|      |     |                 | RKN-b 3P+N 40A 30mA A type  | 06240154R0 | 30                |
|      |     |                 | RKN-b 3P+N 63A 30mA A type  | 06240157R0 | 30                |
|      | 40A | 100mA           | RKN-b 3P+N 25A 100mA A type | 06240149R0 | 30                |
|      |     |                 | RKN-b 3P+N 40A 100mA A type | 06240155R0 | 30                |
|      |     |                 | RKN-b 3P+N 63A 100mA A type | 06240158R0 | 30                |
|      | 63A | 300mA           | RKN-b 3P+N 25A 300mA A type | 06240150R0 | 30                |
|      |     |                 | RKN-b 3P+N 40A 300mA A type | 06240156R0 | 30                |
|      |     |                 | RKN-b 3P+N 63A 300mA A type | 06240159R0 | 30                |

#### Rated conditional short-circuit capacity

| RCCB<br>(RKN, RKN-b) |      | Rated conditional short-circuit capacity |                          |                       |
|----------------------|------|--|--------------------------|-----------------------|
|                      |      | BKN 1~63A<br>(B, C, D)                   | BKN-b 1~63A<br>(B, C, D) | BKH 63~125A<br>(C, D) |
| 1P+N                 | 25A  | 6kA                                      | 10kA                     | -                     |
|                      | 32A  | 6kA                                      | 10kA                     | -                     |
|                      | 40A  | 6kA                                      | 10kA                     | -                     |
|                      | 63A  | 6kA                                      | 10kA                     | 10kA                  |
|                      | 80A  | -  | -                        | 10kA                  |
|                      | 100A | -  | -                        | 10kA                  |
| 3P+N                 | 25A  | 6kA                                      | 10kA                     | -                     |
|                      | 32A  | 6kA                                      | 10kA                     | -                     |
|                      | 40A  | 6kA                                      | 10kA                     | -                     |
|                      | 63A  | 6kA                                      | 10kA                     | 10kA                  |
|                      | 80A  | -  | -                        | 10kA                  |
|                      | 100A | -  | -                        | 10kA                  |

## Isolator, BKD type

CE  
Certificate



### Technical data

|  |              |                                |
|--|--------------|--------------------------------|
| Number of poles                        |              | 1, 2, 3, 4pole                 |
| Standard                               |              | IEC60947-3                     |
| Rated current                          |              | 40, 50, 63, 80, 100, 125A      |
| Rated voltages                         |              | 230/400VAC                     |
| Electrical endurance                   | 63, 80, 100A | 1500 operations                |
|  | 125A         | 1000 operations                |
| Rated insulation voltage [Ui]          |              | 600V                           |
| Rated impulse withstand voltage [Uimp] |              | 6kV                            |
| Type of terminal                       |              | Lug type                       |
| Terminal capacity                      |              | Cables up to 50mm <sup>2</sup> |
| Installation                           |              | Mounting on 35mm DIN rail      |
| Width                                  |              | 17.5mm per pole                |

### Order No.

| Pole | In   | Model       | Order No.  | Pack. unit (Pcs.) |
|------|------|-------------|------------|-------------------|
| 1P   | 40A  | BKD 1P 40A  | 06110112R0 | 120               |
|      | 50A  | BKD 1P 50A  | 06110113R0 | 120               |
|      | 63A  | BKD 1P 63A  | 06110083R0 | 120               |
|      | 80A  | BKD 1P 80A  | 06110084R0 | 120               |
|      | 100A | BKD 1P 100A | 06110085R0 | 120               |
|      | 125A | BKD 1P 125A | 06110114R0 | 120               |

| Pole | In   | Model       | Order No.  | Pack. unit (Pcs.) |
|------|------|-------------|------------|-------------------|
| 2P   | 40A  | BKD 2P 40A  | 06120304R0 | 60                |
|      | 50A  | BKD 2P 50A  | 06120305R0 | 60                |
|      | 63A  | BKD 2P 63A  | 06120247R0 | 60                |
|      | 80A  | BKD 2P 80A  | 06120248R0 | 60                |
|      | 100A | BKD 2P 100A | 06120249R0 | 60                |
|      | 125A | BKD 2P 125A | 06120306R0 | 60                |

| Pole | In   | Model       | Order No.  | Pack. unit (Pcs.) |
|------|------|-------------|------------|-------------------|
| 3P   | 40A  | BKD 3P 40A  | 06130092R0 | 40                |
|      | 50A  | BKD 3P 50A  | 06130093R0 | 40                |
|      | 63A  | BKD 3P 63A  | 06130063R0 | 40                |
|      | 80A  | BKD 3P 80A  | 06130064R0 | 40                |
|      | 100A | BKD 3P 100A | 06130065R0 | 40                |
|      | 125A | BKD 3P 125A | 06130094R0 | 40                |

| Pole | In   | Model       | Order No.  | Pack. unit (Pcs.) |
|------|------|-------------|------------|-------------------|
| 4P   | 40A  | BKD 4P 40A  | 06140185R0 | 30                |
|      | 50A  | BKD 4P 50A  | 06140186R0 | 30                |
|      | 63A  | BKD 4P 63A  | 06140130R0 | 30                |
|      | 80A  | BKD 4P 80A  | 06140131R0 | 30                |
|      | 100A | BKD 4P 100A | 06140132R0 | 30                |
|      | 125A | BKD 4P 125A | 06140187R0 | 30                |

# 60mm depth Miniature Circuit Breakers

## BF type

### Description

- Trip unit with a fixed thermal and fixed magnetic trip
- All operating mechanisms are of the quick-make, quick-break type and "trip free"
- Two and three-pole breakers shall have common tripping of allpoles.
- Operating handle is "Trip to Off"
- Operating hand and face plate shall indicate rated ampacity.
- Thermal elements shall be calibrated to operate in a 40°C ambient environment in standard.
- Electrical durability: 10,000 operations at In
- Reference temperature: 40°C
- Connection by clamp terminal
- Offering the same slot and depth size with the GB type MCCBs.
  - 60mm depth
  - 50mm slot



BF-a

### Technical data

|                          |  |                  |
|--------------------------|--|------------------|
| Type                     | BF-a   |                  |
| Rated current            | 10~100A  |                  |
| Breaking capacity, Icu   | 240V   | 10kA             |
|                          | 415V   | 2.5kA (2, 3pole) |
| Rated insulation voltage | 460VAC   |                  |
| Number of poles          | 1, 2, 3pole                                    |                  |
| Standard                 | IEC 60947-2                                    |                  |
| Protection               | Overload and short circuit                     |                  |
| Characteristic           | See operating curves (p. 50)                   |                  |
| Type of trip             | Thermal magnetic release                       |                  |
| Type of terminal         | Clamp type                                     |                  |
| Installation             | Holder mounting (Bolt on with fixing brackets) |                  |
| Electrical endurance     | 1,500 operations                               |                  |
| Width                    | 25mm per pole                                  |                  |
| Slot                     | 50mm   |                  |
| Accessory                | Not available                                  |                  |



## BF type

### BF-a (10kA at 240VAC/2.5kA at 415VAC)



| In            | 1Pole       |            |                   |       | 2Pole       |            |                   |       | 3Pole       |            |                   |       |
|---------------|-------------|------------|-------------------|-------|-------------|------------|-------------------|-------|-------------|------------|-------------------|-------|
|               | Model       | Order No.  | Pack. unit (Pcs.) | Price | Model       | Order No.  | Pack. unit (Pcs.) | Price | Model       | Order No.  | Pack. unit (Pcs.) | Price |
| 10A           | BF51a 10A   | 0607005100 | 60                |       | BF52a 10A   | 0607006500 | 30                |       | BF53a 10A   | 0607007900 | 20                |       |
| 15A           | BF51a 15A   | 0607005200 | 60                |       | BF52a 15A   | 0607006600 | 30                |       | BF53a 15A   | 0607008000 | 20                |       |
| 20A           | BF51a 20A   | 0607005300 | 60                |       | BF52a 20A   | 0607006700 | 30                |       | BF53a 20A   | 0607008100 | 20                |       |
| 30A           | BF51a 30A   | 0607005400 | 60                |       | BF52a 30A   | 0607006800 | 30                |       | BF53a 30A   | 0607008200 | 20                |       |
| 40A           | BF51a 40A   | 0607005500 | 60                |       | BF52a 40A   | 0607006900 | 30                |       | BF53a 40A   | 0607008300 | 20                |       |
| 50A           | BF51a 50A   | 0607005600 | 60                |       | BF52a 50A   | 0607007000 | 30                |       | BF53a 50A   | 0607008400 | 20                |       |
| 60A           | BF101a 60A  | 0608002100 | 60                |       | BF102a 60A  | 0608002700 | 30                |       | BF103a 60A  | 0608003300 | 20                |       |
| 75A           | BF101a 75A  | 0608002200 | 60                |       | BF102a 75A  | 0608002800 | 30                |       | BF103a 75A  | 0608003400 | 20                |       |
| 100A          | BF101a 100A | 0608002300 | 60                |       | BF102a 100A | 0608002900 | 30                |       | BF103a 100A | 0608003500 | 20                |       |
| Weight/<br>pc | 0.11kg      |            |                   |       | 0.23kg      |            |                   |       | 0.35kg      |            |                   |       |

# Standard busbars



## Description

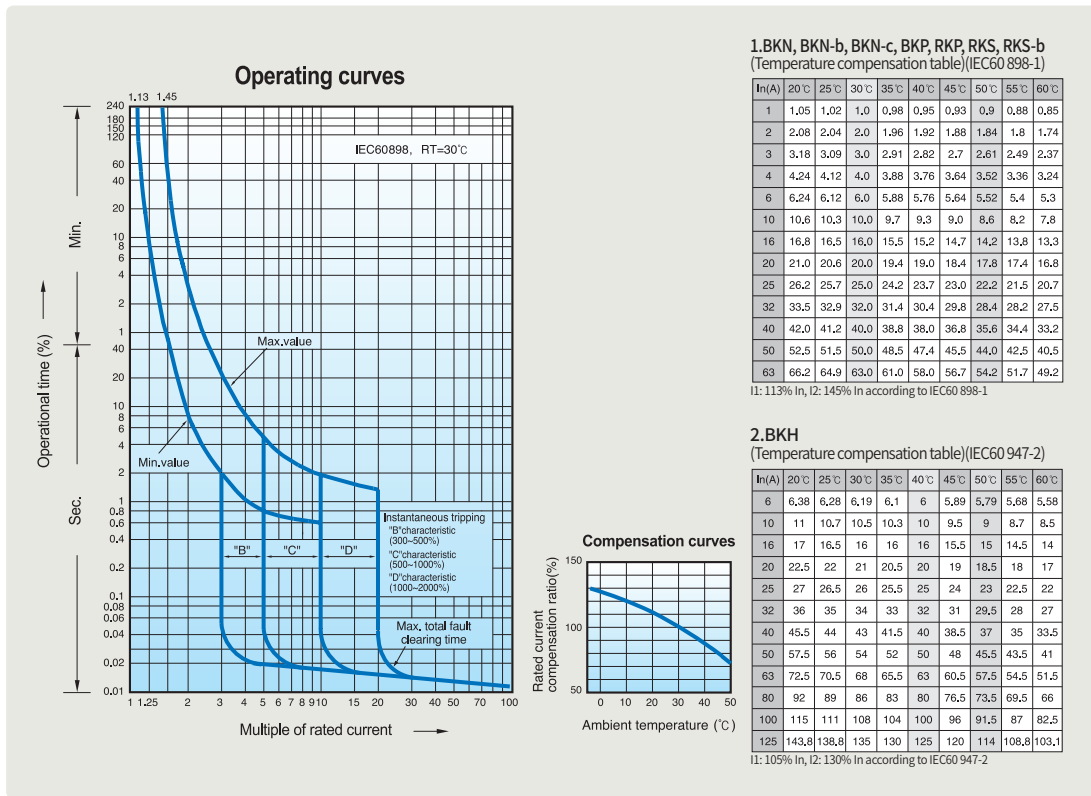
- Applicable to the 18mm wide module devices
- Rated voltage: 415VAC
- Current rating: 63A
- Standard length: 1m

|            |  |                            |
|------------|--|----------------------------|
| Type BB101 |  | For single pole device<br> |
| Type BB102 |  |                            |
| Type BB201 |  | For 2-pole device<br>      |
| Type BB202 |  |                            |
| Type BB301 |  | For 3-pole device<br>      |
| Type BB302 |  |                            |
| Type BB401 |  | For 4-pole device<br>      |
| Type BB402 |  |                            |

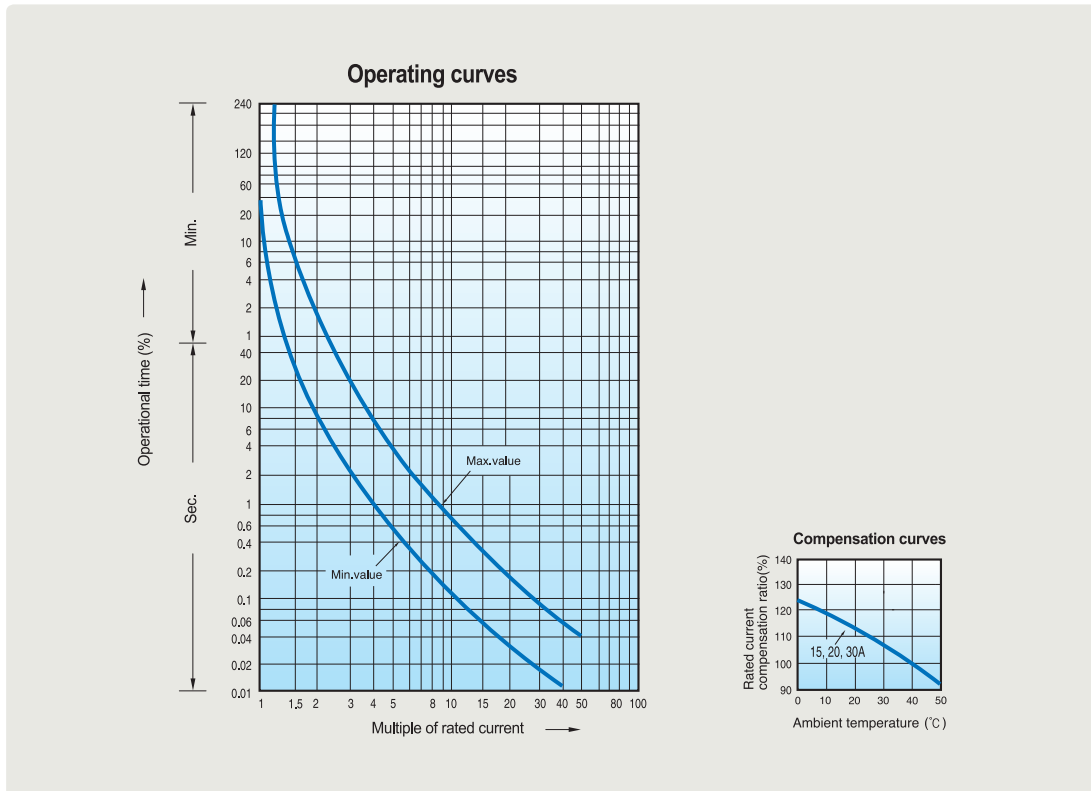
| Model                      | Order No.   |
|----------------------------|-------------|
| Busbar, type BB101, BKN 1P | 70211413001 |
| Busbar, type BB102, BKM 1P | 70211413002 |
| Busbar, type BB201, BKN 2P | 70211413003 |
| Busbar, type BB202, BKM 2P | 70211413004 |
| Busbar, type BB301, BKN 3P | 70211413005 |
| Busbar, type BB302, BKM 3P | 70211413006 |
| Busbar, type BB401, BKN 4P | 70211413007 |
| Busbar, type BB102, BKM 4P | 70211413008 |

# Characteristics curves & temperature compensation

- BKN
- BKN-b
- BKN-c
- BKH
- BKP
- RKP
- RKS
- RKS-b

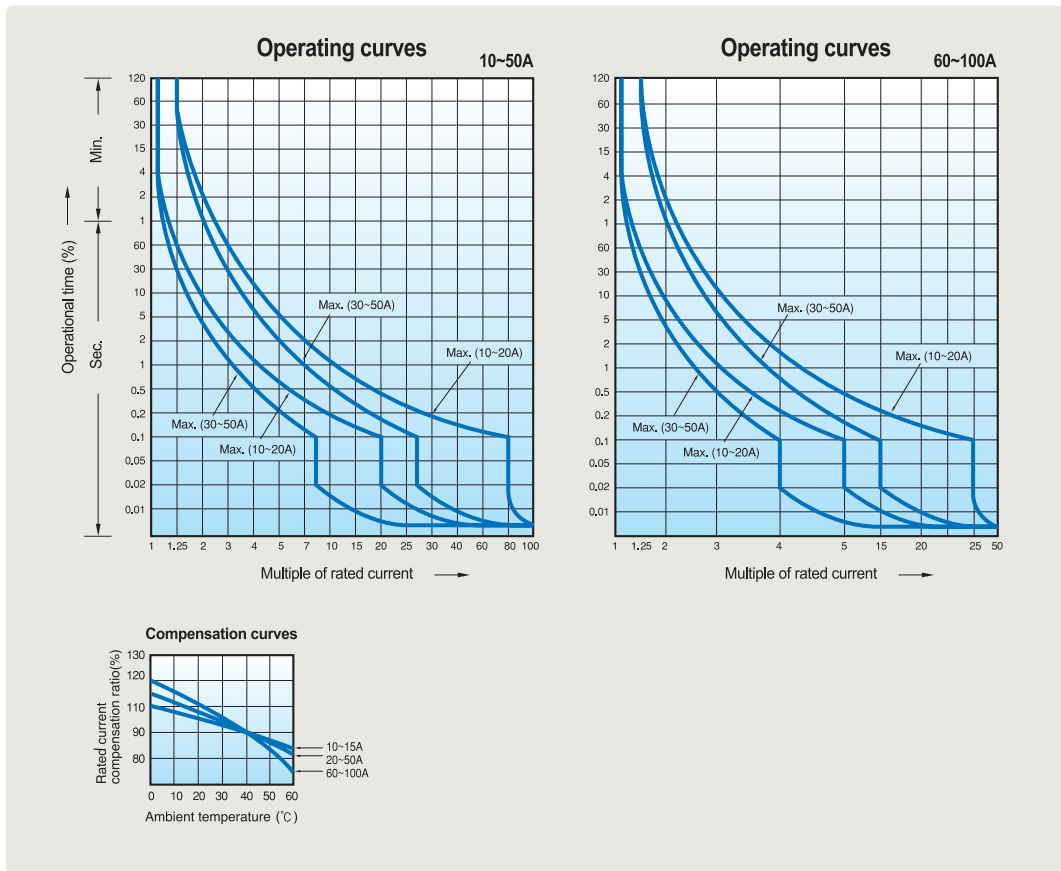


- 32KGRc
- 32KGRd

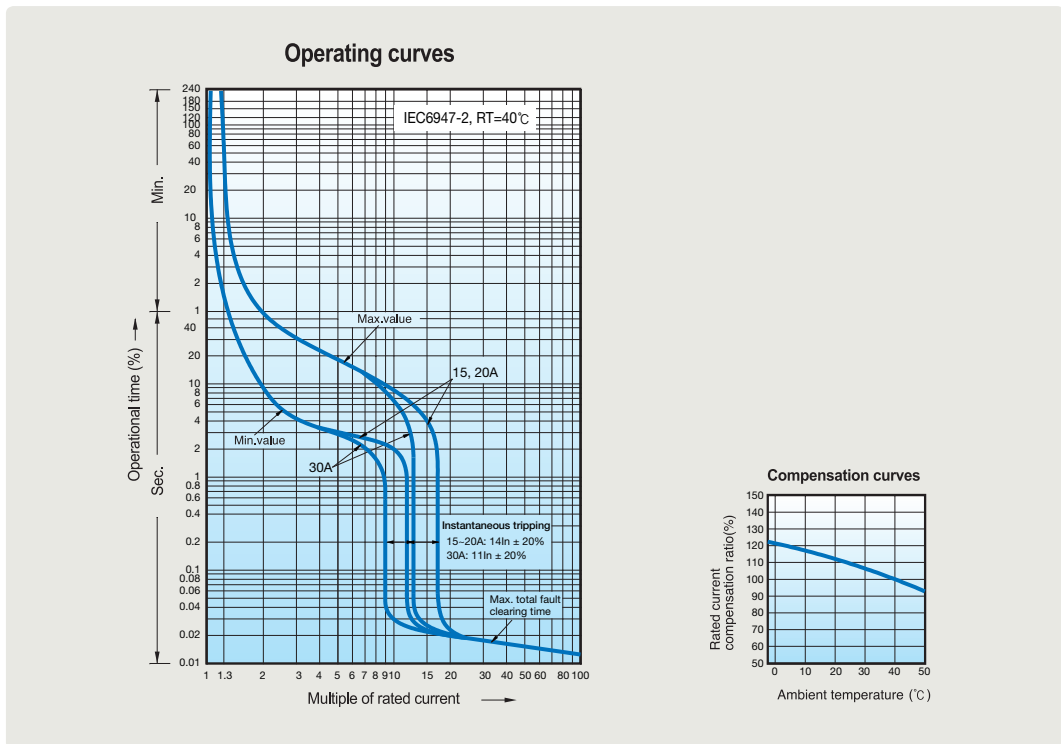


# Characteristics curves & temperature compensation

- BF-a
- BF-c

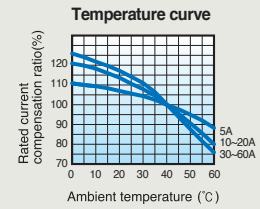
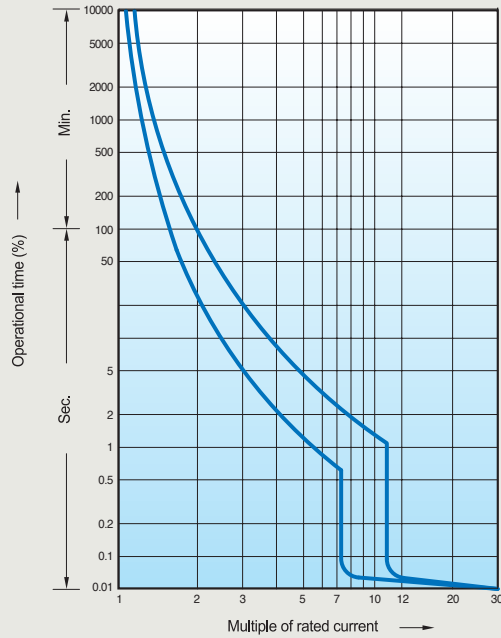


- 32GRh



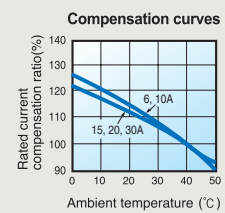
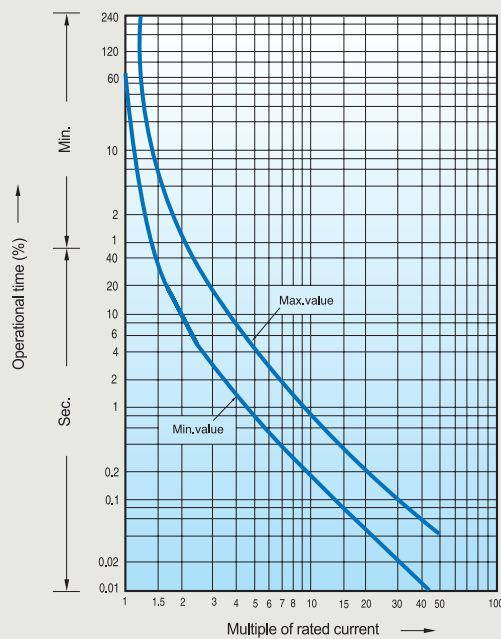
**BFN**

**Operating curves**



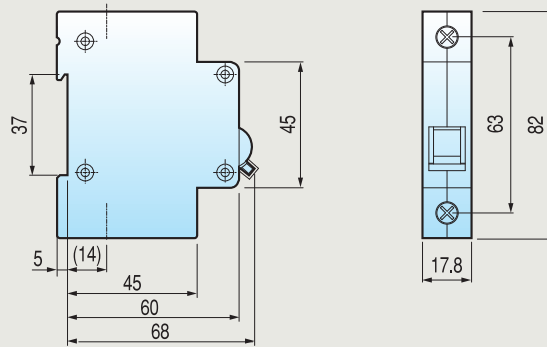
**BS**

**Operating curves**

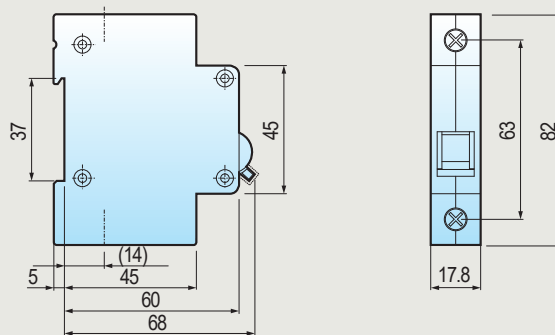


# Overall dimensions

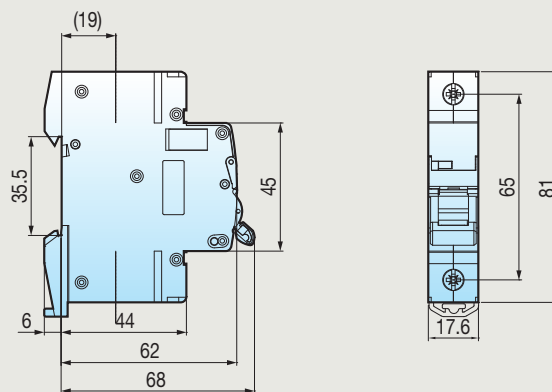
BKN



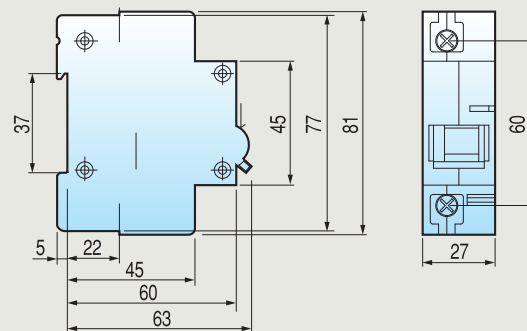
BKN-c



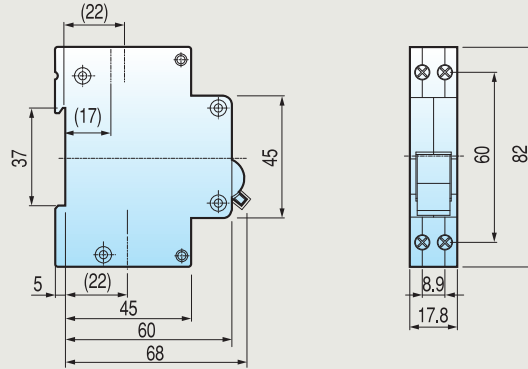
BKN-b



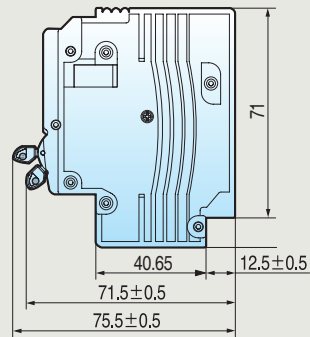
BKH



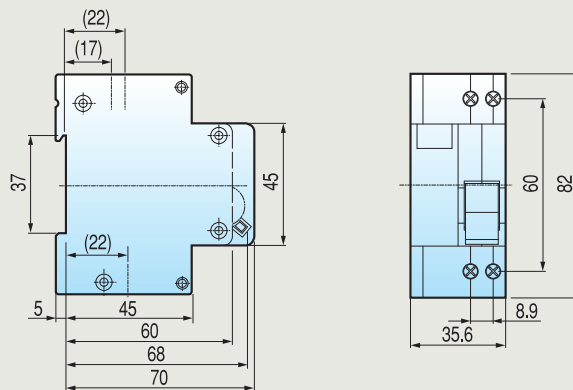
BKP



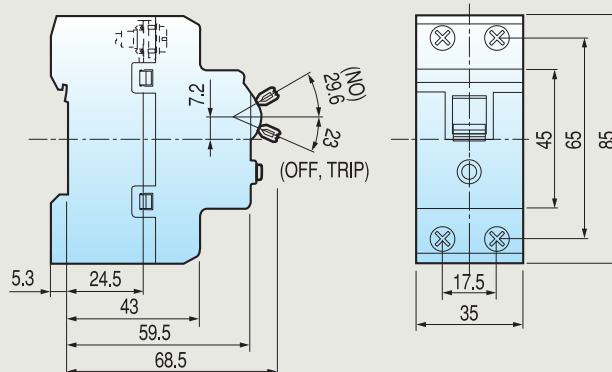
BFN



RKP



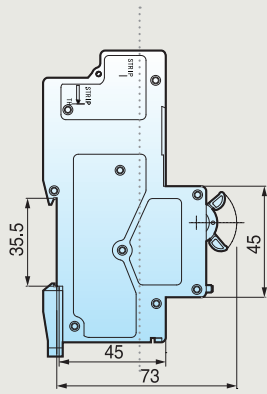
32KGRC/d



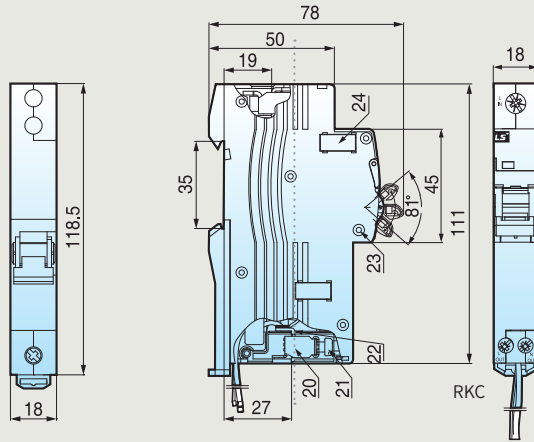
# Overall dimensions

RKS

RKS-b



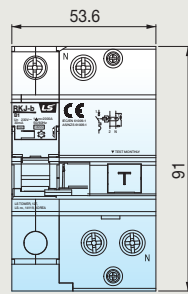
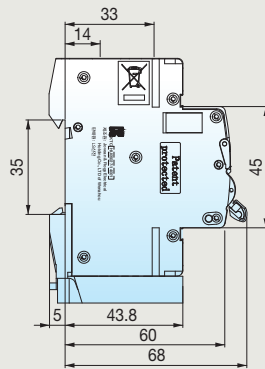
RKS



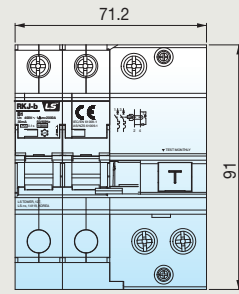
RKS-b

RKJ

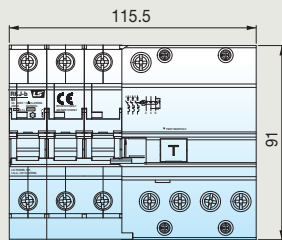
RKJ-b



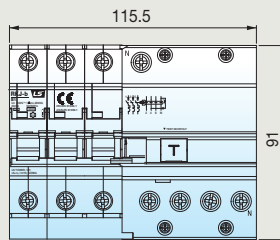
1P+N



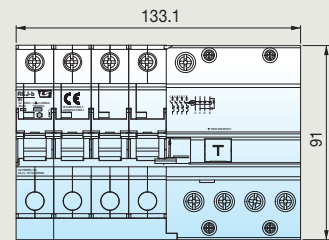
2P



3P

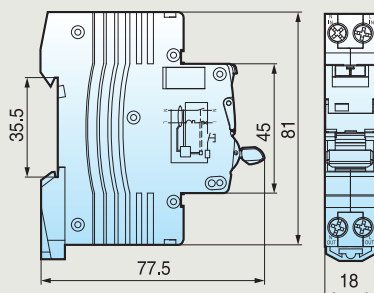


3P+N



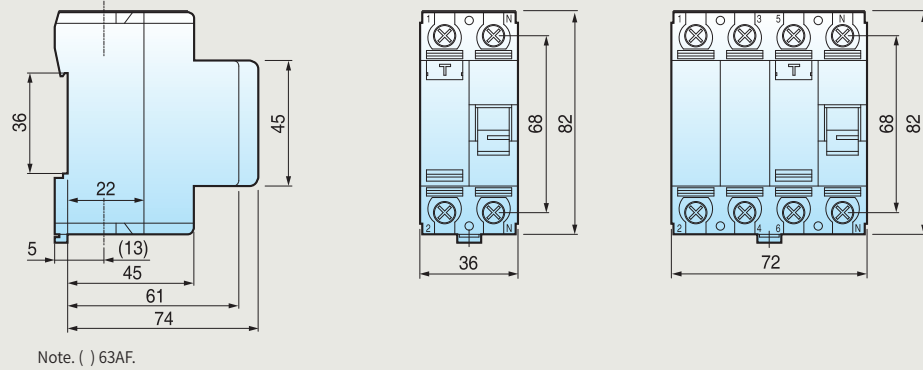
4P

RKC

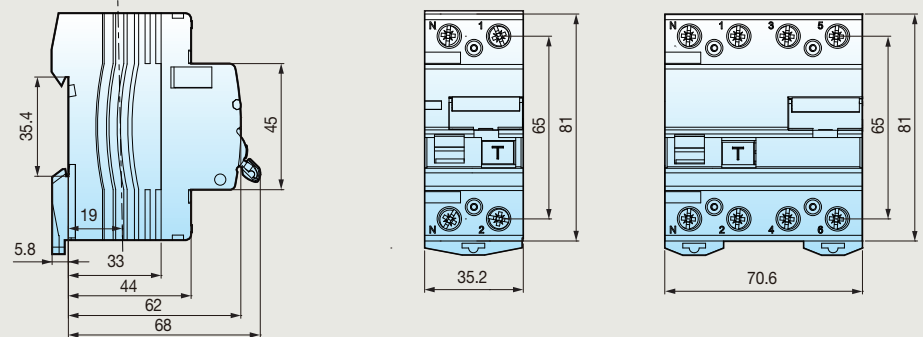




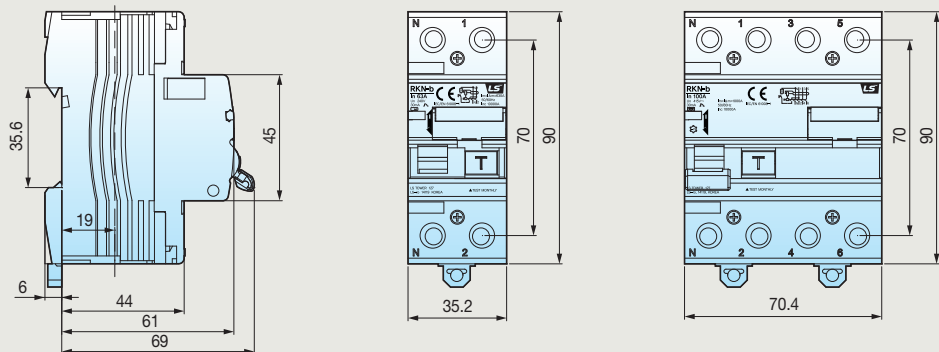
RKN



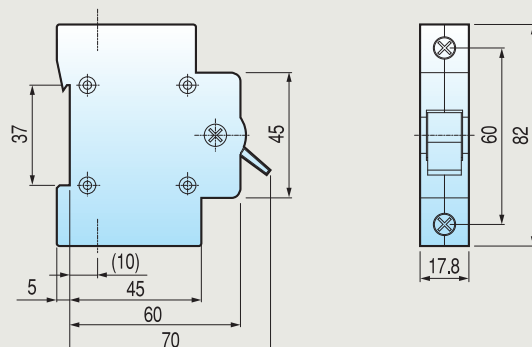
RKN-b (63AF)



RKN-b (100AF)

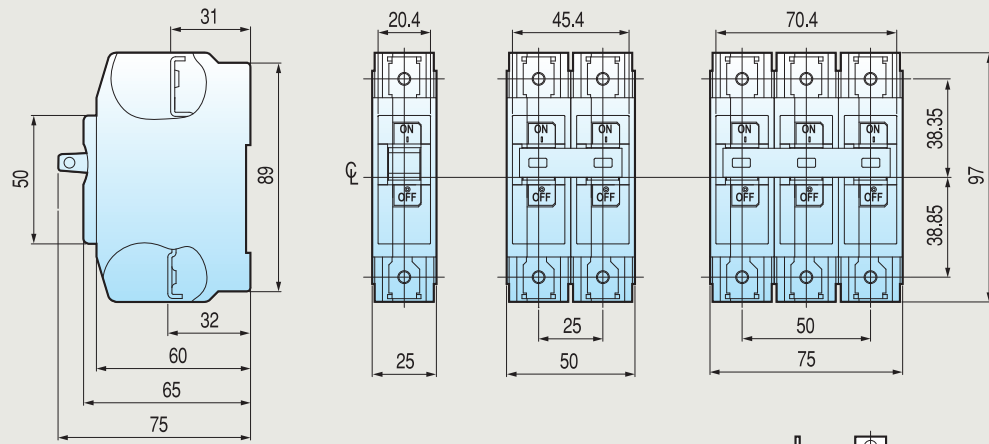


BKD

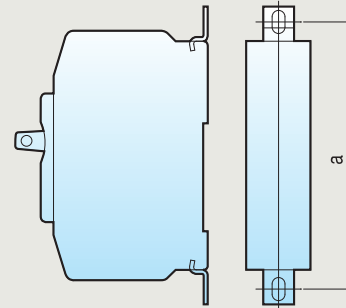
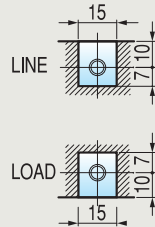


# Overall dimensions

BF-a

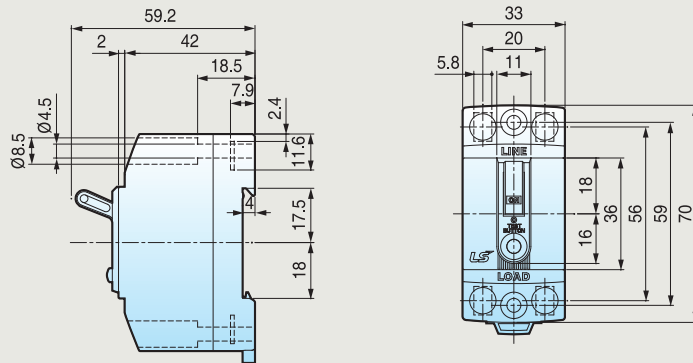


## Detailed terminal

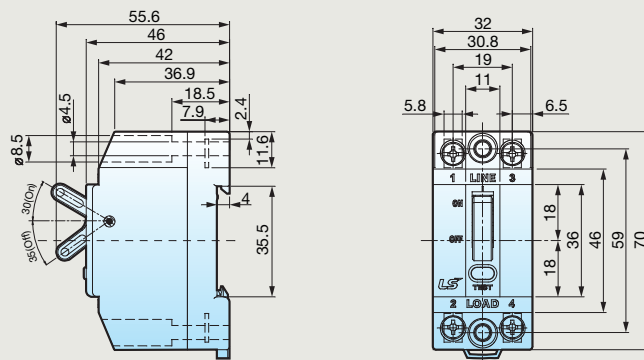


\* BFa same size (a=99~111mm)

BS32c/d

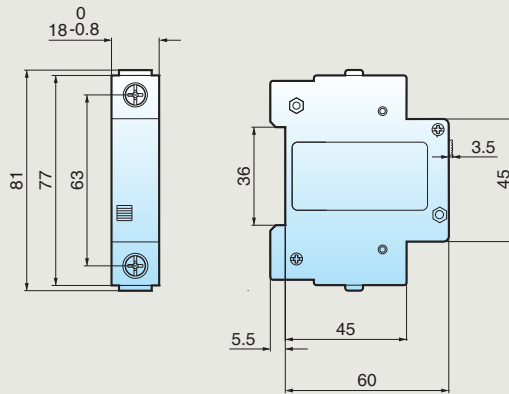


32GRh



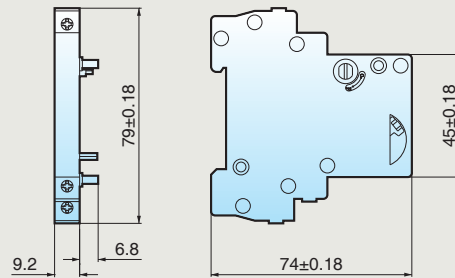
SHT

UVT/OVT



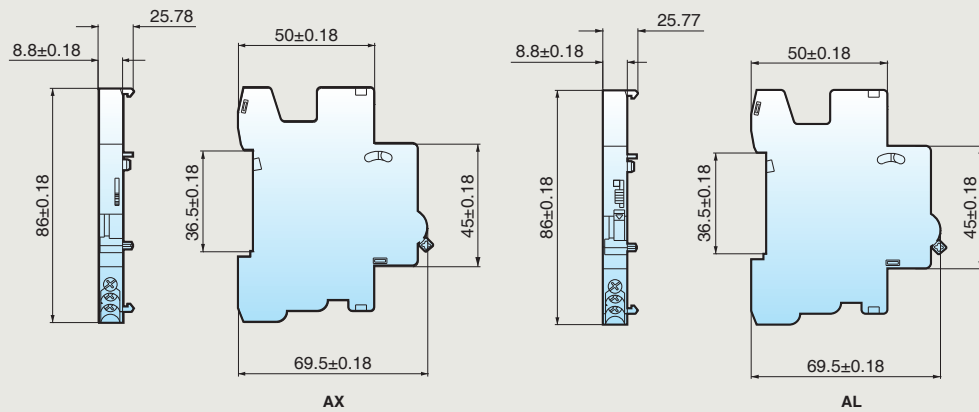
BKN

AX/AL



BKN-b

AX/AL



# Environmental policy and RoHS compliance

## What is RoHS?

The RoHS (Restriction of Hazardous Substances) is an EU Directive that specifically identifies six key materials so that manufacturers are held responsible for ensuring that their products contain controlled concentrations of the six substances restricted by the Directive.

The Six Hazardous Substances: Below 1,000ppm of Lead (Pb), Mercury (Hg), Hexavalent Chromium (Cr+6), Polybrominated Biphenyls (PBB) and Polybrominated Biphenyl Ethers (PBDE), and below 100ppm of Cadmium (Cd).

- ▶ **RoHS : Directive on the Restriction of Hazardous Substances in the Electronic Equipment (Effective on February 13, 2003)**

**LSIS**

Environmental Policy and  
**RoHS Compliance**

RoHS  
CEOs Message  
Environmentally-friendly Management and Policy  
RoHS Compliance Declaration

### What is RoHS?

**The** RoHS (Restriction of Hazardous Substances) is an EU Directive that specifically identifies six key materials so that manufacturers are held responsible for ensuring that their products contain controlled concentrations of the six substances restricted by the Directive.

(Cr<sup>+6</sup>), Polybrominated Biphenyls (PBB) and Polybrominated Biphenyl Ethers (PBDE), and below 10 0ppm of Cadmium (Cd)

Refer to Related Regulations Laws for exceptions. LSIS circuit breakers are excluded.

▶ RoHS: Directive on the Restriction of Hazardous Substances in the Electrical and Electronic Equipment (Effective on February 13, 2003)

The Six Hazardous Substances: Below 1,000ppm of Lead (Pb), Mercury (Hg), Hexavalent Chromium

### Application

## Products

manufactured by LSIS do not directly apply to the RoHS Directive. However, small inverters imbedded in sports equipment and small breakers in large home appliances can be indirectly applied to the Directive.

order to establish environmentally friendly management policies and gain global competitiveness for our products.

According to the regulation, eight of the 10 WEEE products excluding 'medical equipment' and 'control systems' must be RoHS compliant.

LSIS continues to comply with the RoHS directive in



LS ELECTRIC Co., Ltd.

LS Tower, 127, LS-ro, Dongan-gu, Anyang-si, Gyeonggi-do, 14119, Republic of Korea

## Declaration of Conformity

This declaration of conformity is issued under the responsibility of the manufacturer LS ELECTRIC Co., Ltd.

**The products of the declaration described below are in conformity with Directive 2011/65/EU of the European Parliament and of the Council on June 8, 2011 on the restriction of the use of certain hazardous substances in electrical and electronic equipment.**

### Related Products:

- Molded Case Circuit Breaker (MCCB)
- Earth Leakage Circuit Breaker (ELCB)
- Miniature Circuit Breaker (MCB)
- Residual Current Circuit Breaker (RCCB)
- Residual Current Circuit Breaker with overcurrent protection (RCBO)
- Magnetic Switch (MC, TOR)
- Manual Motor Starter (MMS)
- Surge Protective Device (SPD)
- Air Circuit Breaker (ACB)
- Protection & Measurement Device (IED)
- Human Machine Interface (HMI)
- DC Relay
- Programmable Logic Controller (PLC)
- Variable Frequency Drive (AC Drive)
- Servo Drive & Motor & Gearbox

EU RoHS declared Directive 2011/65/EU, Directive 2015/863/EU and its subsequent amendments. Homogeneous materials of parts compliant to this legislation have less than 0.1 % by weight each of lead, mercury, hexavalent chromium, PBB, PBDE, DEHP, BBP, DBP, DIBP and 0.01 % by weight of cadmium. Herewith, we confirm that all the above products do not exceed the maximum values of the RoHS Directive. These values do not apply to the exemptions listed in Annex III of the RoHS Directive.

Date of issue: March 24, 2020

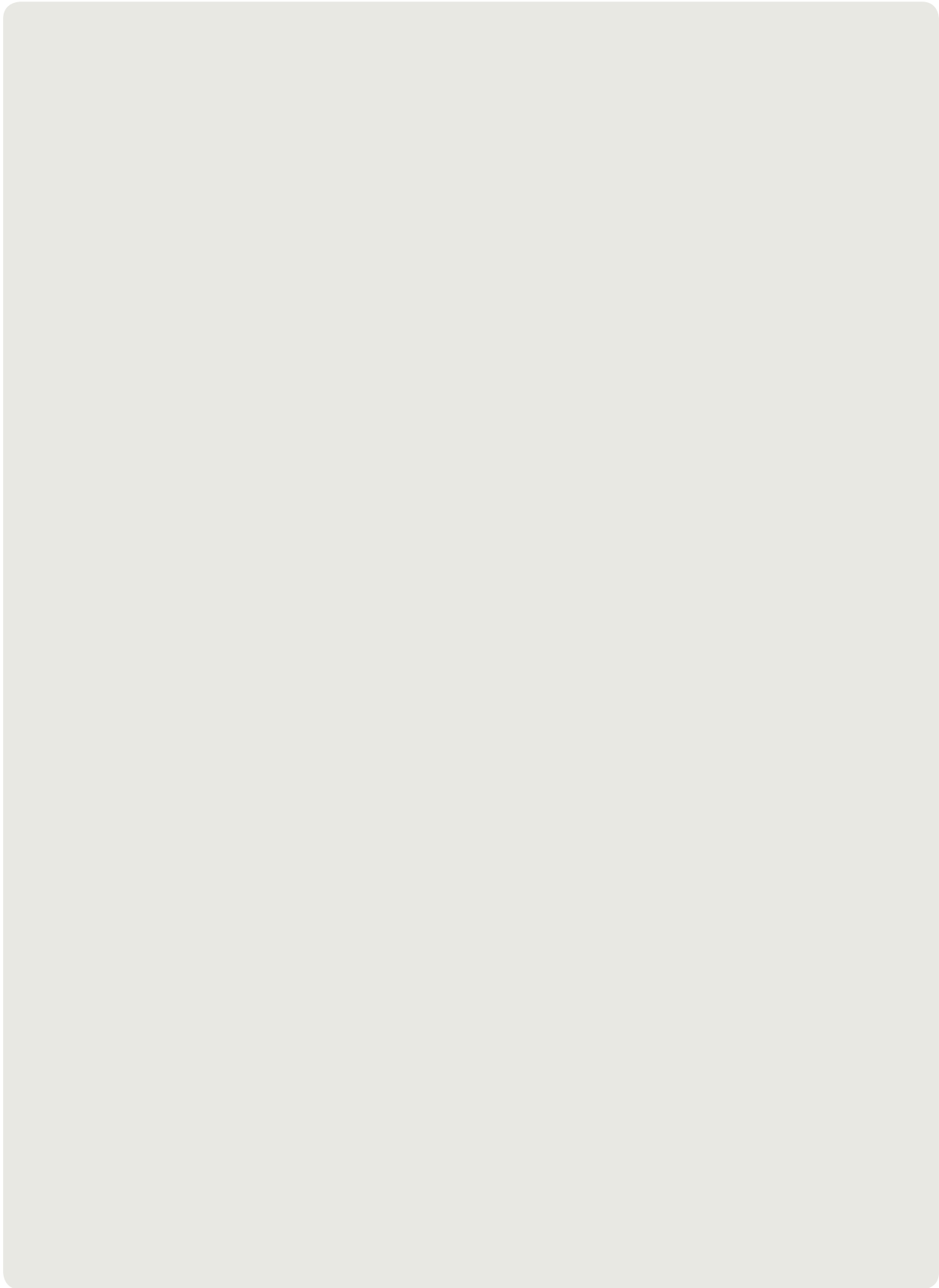
### Name and signature of the authorized person:

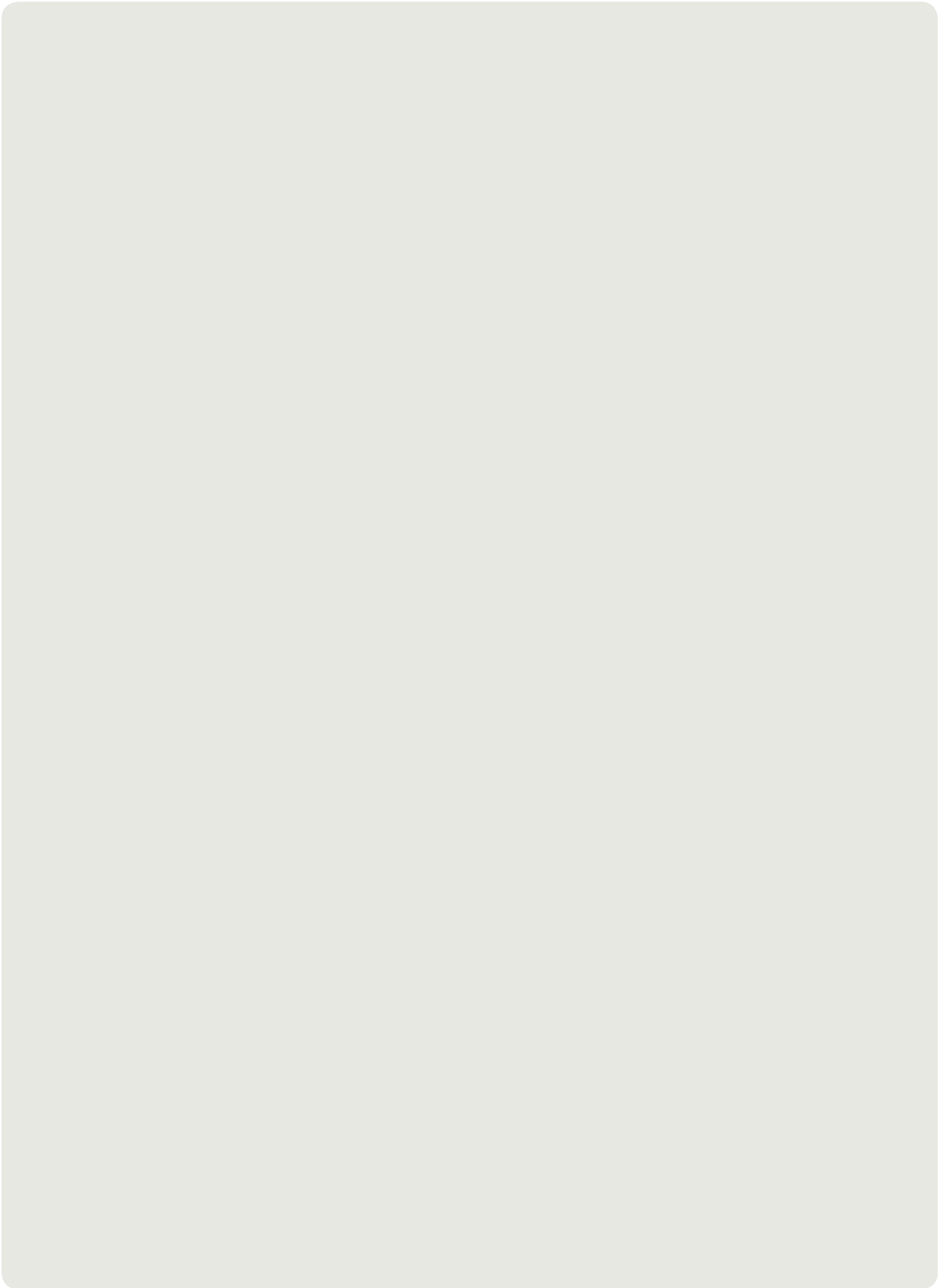
Management representative of the companywide quality management systems, Director.

Joon-Gil Kim



Miniature Circuit Breakers  
**MEMO**







**Safety Instructions**

- For your safety, please read user's manual thoroughly before operating.
- Contact the nearest authorized service facility for examination, repair, or adjustment.
- Please contact qualified service technician when you need maintenance. Do not disassemble or repair by yourself!
- Any maintenance and inspection shall be performed by the personnel having expertise concerned.



- According to The WEEE Directive, please do not discard the device with your household waste.



[www.ls-electric.com](http://www.ls-electric.com)

■ **Headquarter**

127 LS-ro (Hogye-dong) Dongan-gu, Anyang-si, Gyeonggi-Do, 14119, Korea

■ **Seoul Office**

LS Yongsan Tower, 92, Hangang-daero, Yongsan-gu, Seoul, 04386, Korea  
Tel. 82-2-2034-4916, 4684, 4429

■ **Overseas Subsidiaries**

- **LS ELECTRIC Japan Co., Ltd. (Tokyo, Japan)**  
Tel: 81-3-6268-8241 E-Mail: japan@ls-electric.com
- **LS ELECTRIC (Dalian) Co., Ltd. (Dalian, China)**  
Tel: 86-411-8730-5872 E-Mail: china.dalian@lselectric.com.cn
- **LS ELECTRIC (Wuxi) Co., Ltd. (Wuxi, China)**  
Tel: 86-510-6851-6666 E-Mail: china.wuxi@lselectric.com.cn
- **LS ELECTRIC Vietnam Co., Ltd.**  
Tel: 84-93-631-4099 E-Mail: vietnam@ls-electric.com
- **LS ELECTRIC Middle East FZE (Dubai, U.A.E.)**  
Tel: 971-4-886-5360 E-Mail: middleeast@ls-electric.com
- **LS ELECTRIC Europe B.V. (Hoofddorp, Netherlands)**  
Tel: 31-20-654-1424 E-Mail: europartner@ls-electric.com
- **LS ELECTRIC America Inc. (Chicago, USA)**  
Tel: 1-800-891-2941 E-Mail: sales.us@lselectricamerica.com
- **LS ENERGY SOLUTIONS LLC**  
Tel: 1-704-587-4051 E-Mail: cmfeldman@ls-es.com
- **LS ELECTRIC Turkey Co., Ltd. (Istanbul, Turkey)**  
Tel: 90-212-806-1252 E-Mail: turkey@ls-electric.com

■ **Overseas Branches**

- **LS ELECTRIC Tokyo Office (Japan)**  
Tel: 81-3-6268-8241 E-Mail: tokyo@ls-electric.com
- **LS ELECTRIC Beijing Office (China)**  
Tel: 86-10-5095-1631 E-Mail: china@lselectric.com.cn
- **LS ELECTRIC Shanghai Office (China)**  
Tel: 86-21-5237-9977 E-Mail: china@lselectric.com.cn
- **LS ELECTRIC Guangzhou Office (China)**  
Tel: 86-20-3818-2883 E-Mail: china@lselectric.com.cn
- **LS ELECTRIC Chengdu Office (China)**  
Tel: 86-28-8670-3201 E-Mail: china@lselectric.com.cn
- **LS ELECTRIC Qingdao Office (China)**  
Tel: 86-532-8501-2065 E-Mail: china@lselectric.com.cn
- **LS ELECTRIC Nanjing Office (China)**  
Tel: 86-25-8467-0005 E-Mail: china@lselectric.com.cn
- **LS ELECTRIC Bangkok Office (Thailand)**  
Tel: 66-90-950-9683 E-Mail: thailand@ls-electric.com
- **LS ELECTRIC Jakarta Office (Indonesia)**  
Tel: 62-21-2933-7614 E-Mail: indonesia@ls-electric.com
- **LS ELECTRIC Moscow Office (Russia)**  
Tel: 7-499-682-6130 E-Mail: info@lselectric-ru.com
- **LS ELECTRIC America Western Office (Irvine, USA)**  
Tel: 1-949-333-3140 E-Mail: america@ls-electric.com
- **LS ELECTRIC India Office (India)**  
Tel: 91-80-6142-9108 E-Mail: info\_india@ls-electric.com
- **LS ELECTRIC Singapore Office (Singapore)**  
Tel: 65-6958-8162 E-Mail: singapore@ls-electric.com



**Technical Question or After-sales Service**

Customer Center-Quick Responsive Service, Excellent technical support | **82-1644-5481**