

Basic internal retaining rings (Retainring for hole) DIN 472

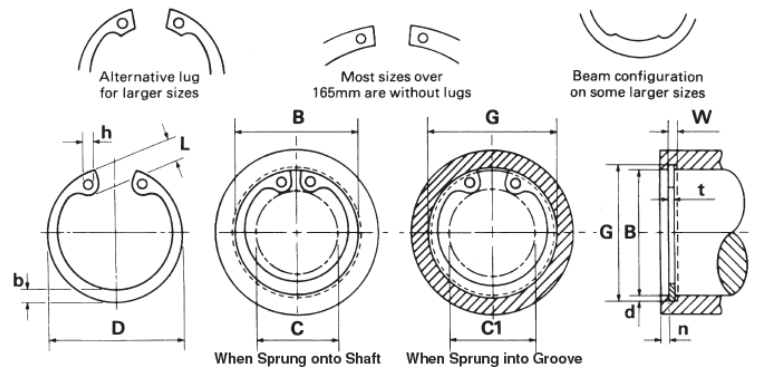
BIR series

Model: BIR-Material-Bore

Material:

- *Steel carbon (BO),*
- *420 stainless steel (420)*

Ex model: **BIR-BO-8** or **BIR-420-8**



DIN 472 - D3000 Standard Internal Circlips											
Bore	Circlip Dimensions							Groove Dimensions			
	B	D	C	C1	L	b	h	t	G	W	n
8	8.7	3.0	3.6	2.4	1.1	1.0	0.80	8.4	0.90	0.6	0.2
9	9.8	3.7	4.4	2.5	1.3	1.0	0.80	9.4	0.90	0.6	0.2
9.5	10.3	3.2	3.9	3	1.3	1.2	1.00	9.9	1.10	0.6	0.2
10	10.8	3.3	4.0	3.2	1.4	1.2	1.00	10.4	1.10	0.6	0.2
11	11.8	4.1	4.8	3.3	1.5	1.2	1.00	11.4	1.10	0.6	0.2
12	13.0	4.9	5.7	3.40	1.7	1.5	1.00	12.5	1.10	0.8	0.3
13	14.1	5.4	6.4	3.6	1.8	1.5	1.00	13.6	1.10	0.9	0.3
14	15.1	6.2	7.2	3.7	1.9	1.7	1.00	14.6	1.10	0.9	0.3
15	16.2	7.2	8.3	3.7	2.0	1.7	1.00	15.7	1.10	1.1	0.4
16	17.3	8.0	9.2	3.8	2.0	1.7	1.00	16.8	1.10	1.2	0.4
17	18.3	8.8	10.0	3.9	2.1	1.7	1.00	17.8	1.10	1.2	0.4
18	19.5	9.4	10.8	4.1	2.2	2.0	1.00	19.0	1.10	1.5	0.5
19	20.5	10.4	11.8	4.1	2.2	2.0	1.00	20.0	1.10	1.5	0.5
20	21.5	11.2	12.6	4.2	2.3	2.0	1.00	21.0	1.10	1.5	0.5
21	22.5	12.2	13.6	4.2	2.4	2.0	1.00	22.0	1.10	1.5	0.5
22	23.5	13.2	14.6	4.2	2.5	2.0	1.00	23.0	1.10	1.5	0.5
23	24.6	14.2	15.7	4.2	2.5	2.0	1.20	24.1	1.30	1.7	0.6
24	25.9	14.8	16.4	4.4	2.6	2.0	1.20	25.2	1.30	1.8	0.6
25	26.9	15.5	17.2	4.5	2.7	2.0	1.20	26.2	1.30	1.8	0.6
26	27.9	16.1	17.8	4.7	2.8	2.0	1.20	27.2	1.30	1.8	0.6
27	29.1	17.1	19.0	4.7	2.9	2.0	1.20	28.4	1.30	2.1	0.7
28	30.1	17.9	19.8	4.8	2.9	2.0	1.20	29.4	1.30	2.1	0.7
29	31.1	18.9	20.8	4.8	3.0	2.0	1.20	30.4	1.30	2.1	0.7
30	32.1	19.9	21.8	4.8	3.0	2.0	1.20	31.4	1.30	2.1	0.7
31	33.4	20.0	22.3	5.2	3.2	2.5	1.20	32.7	1.30	2.6	0.9

DIN 472 - D3000 Standard Internal Circlips

Bore B	Circlip Dimensions							Groove Dimensions			
	D	C	C1	L	b	h	t	G	W	n	d
32	34.4	20.6	22.9	5.4	3.2	2.5	1.20	33.7	1.30	2.6	0.9
33	35.5	21.6	23.9	5.4	3.3	2.5	1.20	34.7	1.30	2.6	0.9
34	36.5	22.6	24.9	5.4	3.3	2.5	1.50	35.7	1.60	2.6	0.9
35	37.8	23.6	26.2	5.4	3.4	2.5	1.50	27.0	1.60	3.0	1.0
36	38.8	24.6	27.2	5.4	4.0	2.5	1.50	38.0	1.60	3.0	1.0
37	39.8	25.4	28.0	5.5	3.2	2.5	1.50	39.0	1.60	3.0	1.0
38	40.8	26.4	29.0	5.5	3.7	2.5	1.50	40.0	1.60	3.0	1.0
40	43.5	27.8	30.9	5.8	3.9	2.5	1.75	42.5	1.85	3.8	1.3
41	44.5	28.6	31.7	5.9	4.0	2.5	1.75	43.5	1.85	3.8	1.3
42	45.5	29.6	32.7	5.9	4.1	2.5	1.75	44.5	1.85	3.8	1.3
45	48.5	32.0	35.1	6.2	4.3	2.5	1.75	47.5	1.85	3.8	1.3
47	50.5	33.5	36.7	6.4	4.4	2.5	1.75	49.5	1.85	3.8	1.3
48	51.5	34.5	37.7	6.4	4.5	2.5	1.75	50.5	1.85	3.8	1.3
50	54.2	36.3	40.0	6.5	4.6	2.5	2.00	53.0	2.15	4.5	1.5
51	55.2	37.3	41.0	6.5	4.7	2.5	2.00	54.0	2.15	4.5	1.5
52	56.2	37.9	41.6	6.7	4.7	2.5	2.00	55.0	2.15	4.5	1.5
55	59.2	40.7	44.4	6.8	5.0	2.5	2.00	58.0	2.15	4.5	1.5
56	60.2	41.7	45.4	6.8	5.1	2.5	2.00	59.0	2.15	4.5	1.5
57	62.2	42.7	46.4	6.8	5.1	2.5	2.00	60.0	2.15	4.5	1.5
58	62.2	43.5	47.2	6.9	5.2	2.5	2.00	61.0	2.15	4.5	1.5
60	64.2	44.7	48.4	7.3	5.4	2.5	2.00	63.0	2.15	4.5	1.5
62	66.2	46.7	50.4	7.3	5.5	2.5	2.00	65.0	2.15	4.5	1.5
63	67.2	47.7	51.4	7.3	5.6	2.5	2.00	66.0	2.15	4.5	1.5
64	68.2	48.7	52.4	7.3	5.2	2.5	2.00	67.0	2.15	4.5	1.5
65	69.2	48.0	52.8	7.6	5.8	3.0	2.50	68.0	2.65	4.5	1.5