

# Terminal Block Box



## Specifications

|                          |  |
|--------------------------|--|
| Protection Level         | Dust/Water proof: IP66/67, NEMA 4X/6       |
|                          | Impact test: IK08                          |
| Certification            | CE, TUV, RoHS                              |
| Temperature Range        | ABS: -40°C to 70°C (-40°F to 158°F)        |
| Flammability Rating      | ABS : 94-V-0, HB, PC : 94-HB, PBT : 94-V-0 |
| Rated Insulation Voltage | 400V                                       |
| Material                 | ABS  |

## Ordering Information

| Part Number | Outside size (including cover) |                    |           | No. of Poles | Terminal Layout |
|-------------|--------------------------------|--------------------|-----------|--------------|-----------------|
|             | Unit:mm                        | Unit : inch        | Knock-Out |              |                 |
| BC-A①②-4P   | 55 x 91 x 43                   | 2.17 x 3.58 x 1.69 | Ø21       | 4            | Flat            |
| BC-A①②-4PH  | 50 x 82 x 43                   | 1.92 x 3.23 x 1.69 | Ø21       | 4            | Stair           |
| BC-A①②-4PT  | 65 x 74 x 43                   | 2.56 x 2.91 x 1.69 | Ø21       | 4            | Stair           |
| BC-A①②-6PH  | 55 x 91 x 43                   | 2.17 x 3.58 x 1.69 | Ø21       | 6            | Stair           |
| BC-A①②-6PT  | 75 x 91 x 43                   | 2.95 x 3.58 x 1.69 | Ø21       | 6            | Stair           |
| BC-A①②-6P   | 75 x 91 x 43                   | 2.95 x 3.58 x 1.69 | Ø21       | 6            | Flat            |
| BC-A①②-10P  | 91 x 110 x 43                  | 3.58 x 4.33 x 1.69 | Ø21       | 10           | Flat            |
| BC-A①②-10PT | 75 x 125 x 43                  | 2.95 x 4.92 x 1.69 | Ø21       | 10           | Stair           |
| BC-A①②-15PT | 100 x 185 x 70                 | 3.94 x 7.28 x 2.76 |           | 15           | Stair           |
| BC-A①②-15P  | 100 x 185 x 70                 | 3.94 x 7.28 x 2.76 |           | 15           | Flat            |
| BC-A①②-20P  | 100 x 230 x 70                 | 3.94 x 9.06 x 2.76 |           | 20           | Flat            |
| BC-A①②-20PT | 100 x 230 x 70                 | 3.94 x 9.06 x 2.76 |           | 20           | Stair           |
| BC-A①②-20PA | 160 x 160 x 70                 | 6.30 x 6.30 x 2.76 |           | 20           | 2 Line Stair    |
| BC-A①②-20P2 | 160 x 160 x 70                 | 6.30 x 6.30 x 2.76 |           | 20           | 2 Line Flat     |

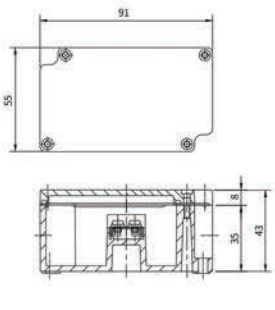
①G: Gray cover / B: Grayish Blue Cover / T: Transparent cover

②B: Grayish Blue / G: Gray

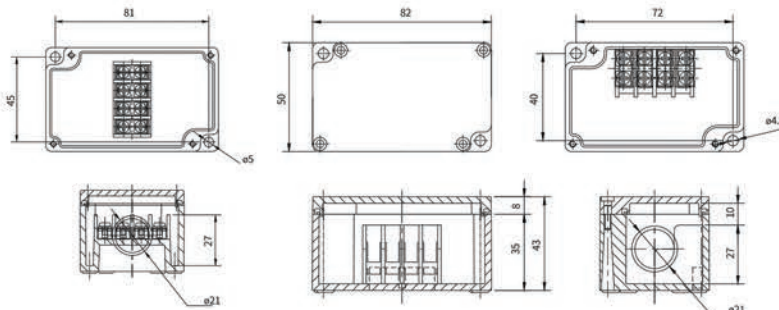
\* Ø21=PG13.5 Gland

## Dimensions

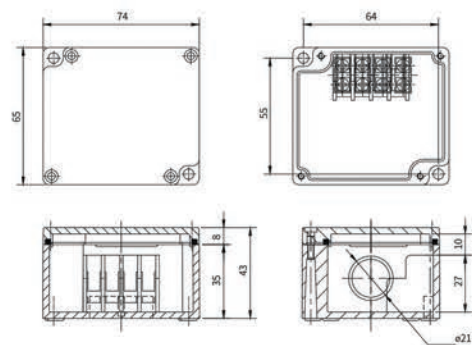
### 4P



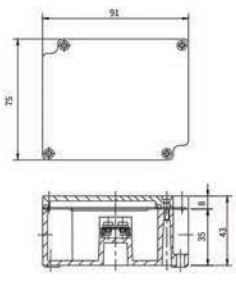
### 4PH



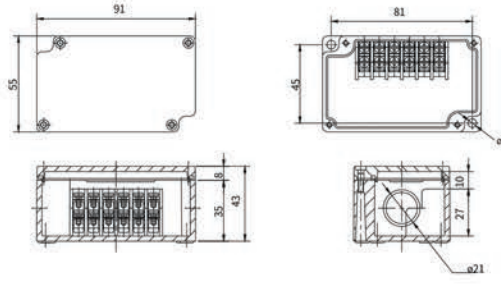
### 4PT



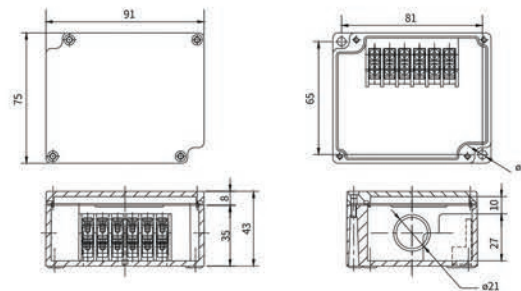
### 6P



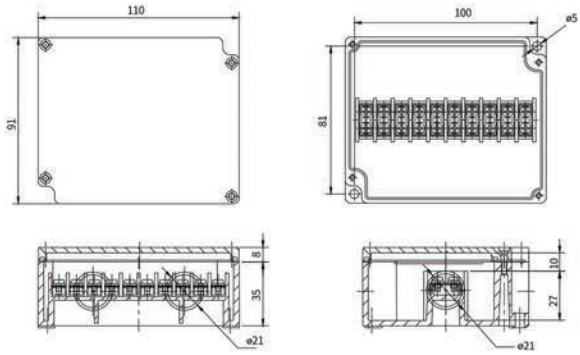
### 6PH



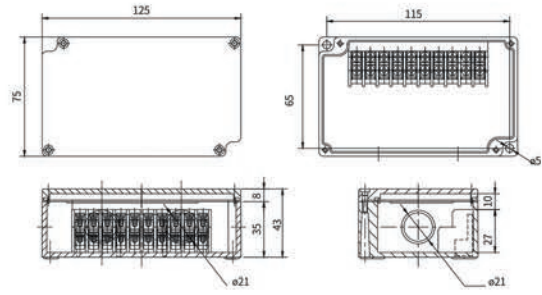
### 6PT



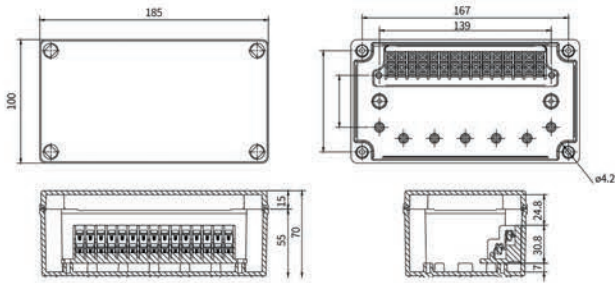
### 10P



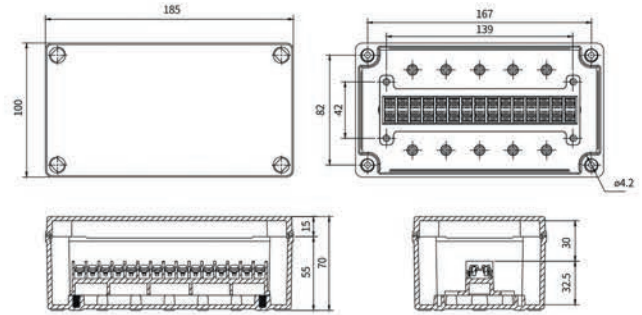
### 10PT



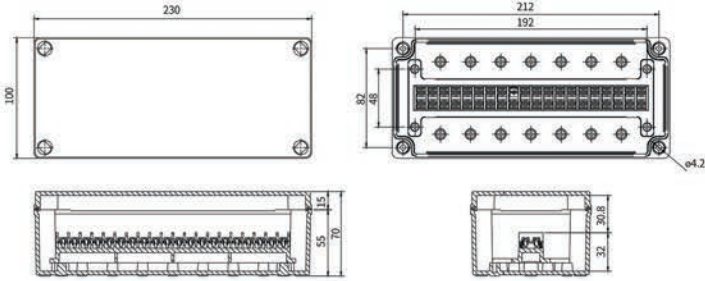
### 15PT



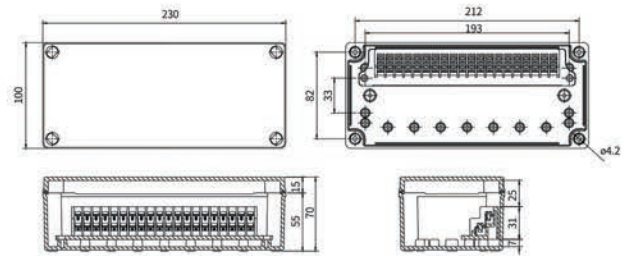
### 15P



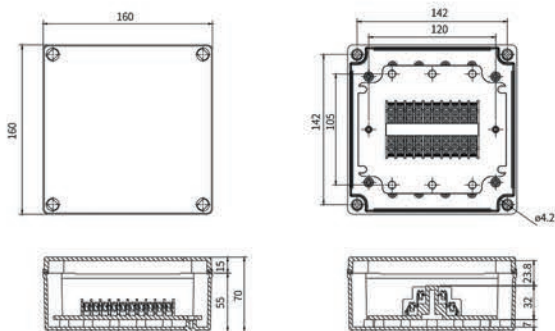
### 20P



### 20PT



### 20PA



### 20P2

