

DIN W48×H48mm Analog Timer

■ Features

- DIN W48×H48mm
- Easy and simple time setting
- Cost-effective
- Easy time setting
- Wide range of time
- Power supply: 100-240VAC 50/60Hz, 24-240VDC

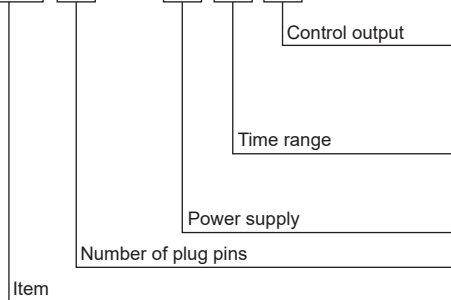


⚠ Please read "Safety Considerations" in the instruction manual before using.



■ Ordering Information

ATE 8 - 4 3 D



No mark	Time limit SPDT (1c)+Instantaneous SPST (1a)
D	Time limit DPDT (2c)
E	Time limit SPDT (1c)+Instantaneous SPDT (1c)
1	1 sec/10 sec/1 min/10 min/1 hour
3	3 sec/30 sec/3 min/30 min/3 hour
6	6 sec/60 sec/6 min/60 min/6 hour
C	12 sec/12 min/24 min/12 hour/24 hour
4	100-240VAC 50/60Hz, 24-240VDC
8	8-pin plug type
ATE	Analog timer

※8-pin socket (PG-08, PS-08(N)) is sold separately.

■ Specifications

Model	ATE8-4□	ATE8-4□D	ATE8-4□E
Function	Power ON Delay Timer		
Control time setting range ^{※1}	0.1 sec to 24 hour		
Power supply	100-240VAC~ 50/60Hz, 24-240VDC=		
Permissible voltage range	90 to 110% of rated voltage		
Power consumption	Max. 3.5VA (100-240VAC~ 50/60Hz), Max. 2.0W (24-240VDC=)		
Return time	Max. 200ms		
Time operation	Power ON Start		
Control output	Contact type	Time-limit SPDT (1c)+ Instantaneous SPST (1a)	Time-limit DPDT (2c)
	Contact capacity	250VAC~ 3A, 30VDC= 3A resistive load	
Relay life cycle	Mechanical	Min. 5,000,000 operations	
	Electrical	Min. 100,000 operations (250VAC 3A resistive load)	
Repeat error	Max. ±0.3% ±0.01 sec		
Set error	Max. ±5% ±0.05 sec		
Voltage error	Max. ±0.5% ±0.01 sec		
Temp. error	Max. ±2% ±0.01 sec		
Insulation resistance	Over 100MΩ (at 500VDC megger)		
Dielectric strength	2,000VAC 50/60Hz for 1 min		
Noise immunity	±2KV the square wave noise (pulse width 1μs) by noise simulator		
Vibration	Mechanical	0.75mm amplitude at frequency 10 to 55Hz (for 1min) in each X, Y, Z direction for 1 hour	
	Malfunction	0.5mm amplitude at frequency 10 to 55Hz (for 1 min) in each X, Y, Z direction for 10 min	
Shock	Mechanical	300m/s ² (approx. 30G) in each X, Y, Z direction for 3 times	
	Malfunction	100m/s ² (approx. 10G) in each X, Y, Z direction for 3 times	
Environment	Ambient temp.	-10 to 55°C, storage: -25 to 65°C	
	Ambient humid.	35 to 85%RH, storage: 35 to 85%RH	
Protection structure	IP40 (front part, IEC standard)		
Approval	CE, c, UL US		
Weight ^{※2}	Approx. 122.2g (approx. 75g)		

※1: Refer to time specifications for control time setting range by model.

※2: The weight includes packaging. The weight in parenthesis is for unit only.

※Environment resistance is rated at no freezing or condensation.

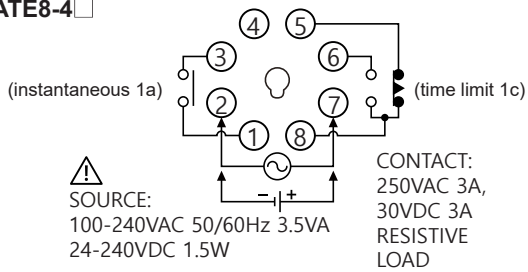
SENSORS
CONTROLLERS
MOTION DEVICES
SOFTWARE

(J) Temperature Controllers
(K) SSRs
(L) Power Controllers
(M) Counters
(N) Timers
(O) Digital Panel Meters
(P) Indicators
(Q) Converters
(R) Digital Display Units
(S) Sensor Controllers
(T) Switching Mode Power Supplies
(U) Recorders
(V) HMIs
(W) Panel PC
(X) Field Network Devices

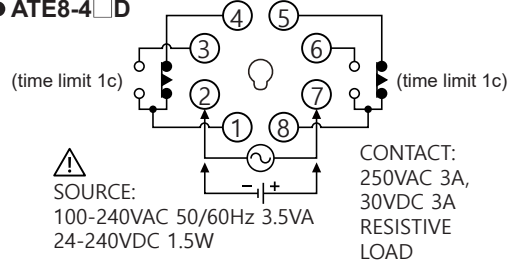
ATE8 Series

Connections

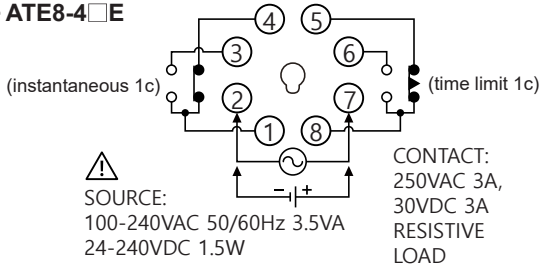
● ATE8-4□



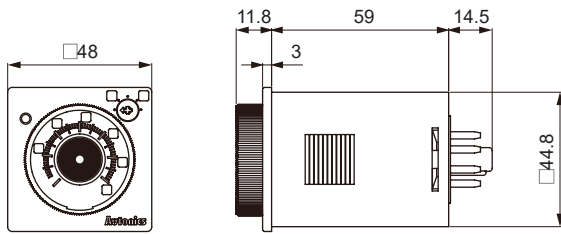
● ATE8-4□D



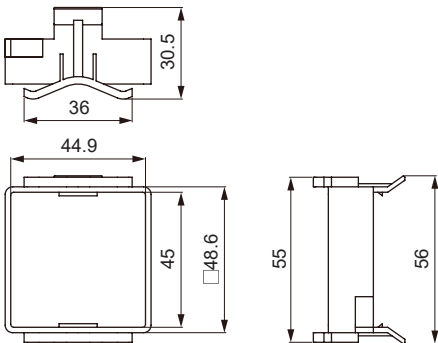
● ATE8-4□E



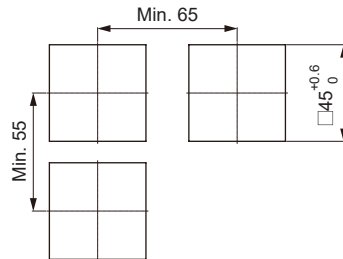
Dimensions



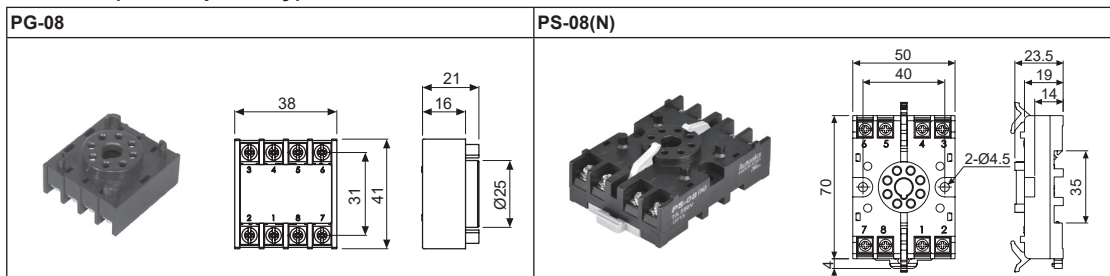
○ Bracket (sold separately (BK-S))



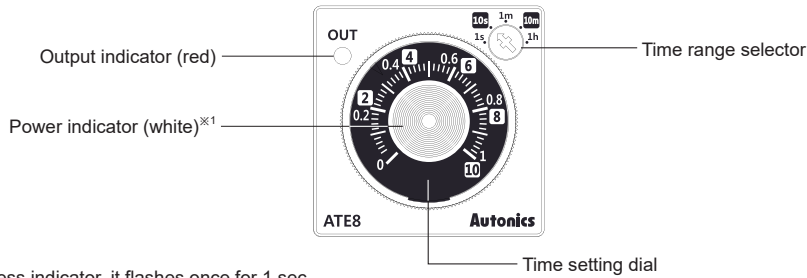
○ Panel cut-out



● Socket (sold separately)



Unit Description



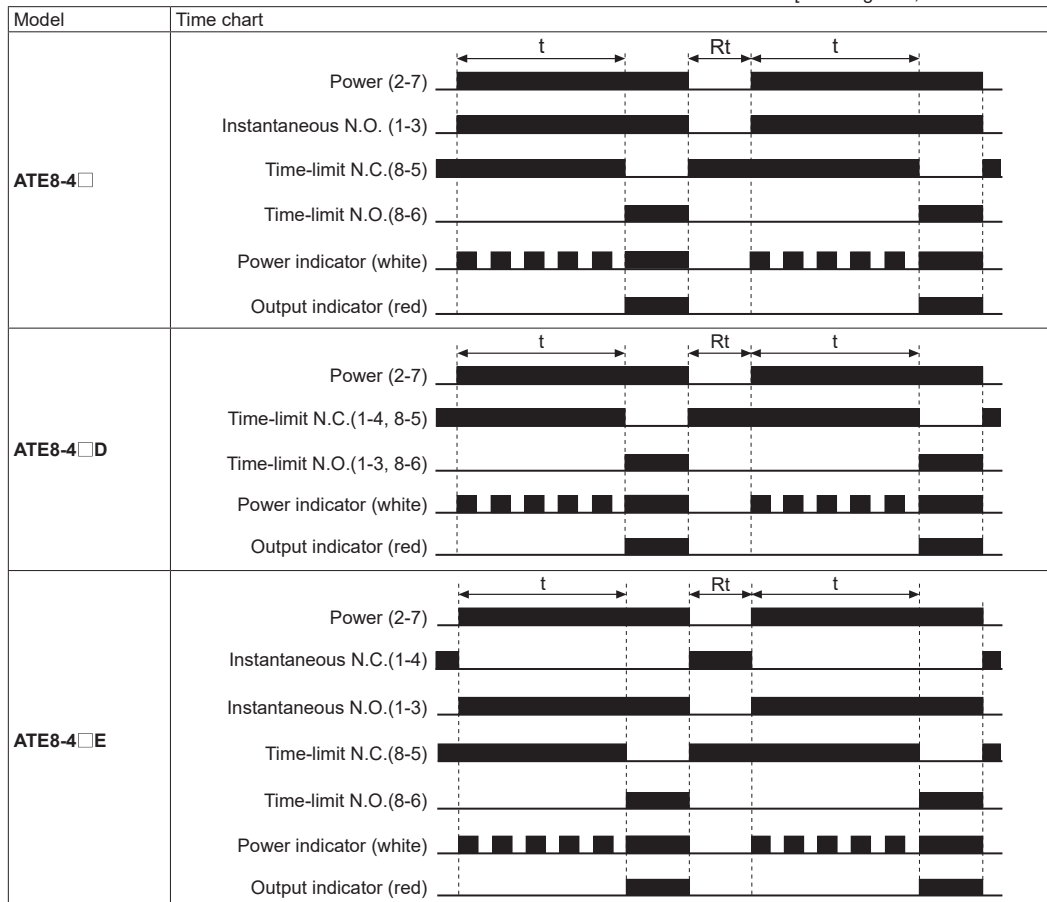
※1: As time progress indicator, it flashes once for 1 sec.

Time Specifications

Model	Time range	Time unit	Time setting range	Model	Time range	Time unit	Time setting range
ATE8-41□	1	s	0.1 to 1 sec	ATE8-46□	6	s	0.6 to 6 sec
	10		1 to 10 sec		60		6 to 60 sec
	1	m	0.1 to 1 min		6	m	0.6 to 6 min
	10		1 to 10 min		60		6 to 60 min
ATE8-43□	1	h	0.1 to 1 hour	ATE8-4C□	6	h	0.6 to 6 hour
	3		0.3 to 3 sec		12		s
	30	3 to 30 sec	12		m	1.2 to 12 min	
	3	0.3 to 3 min	24			2.4 to 24 min	
30	3 to 30 min	12	h	1.2 to 12 hour			
3	0.3 to 3 hour			24	2.4 to 24 hour		

Operation Mode

[t: Setting time, Rt: Return time]



※When time-limit of ATE8-4□, ATE8-4□E is set to 0, time-limit contact operates within 30ms right after instantaneous contact operation.

SENSORS

CONTROLLERS

MOTION DEVICES

SOFTWARE

(J)
Temperature
Controllers

(K)
SSRs

(L)
Power
Controllers

(M)
Counters

(N)
Timers

(O)
Digital
Panel Meters

(P)
Indicators

(Q)
Converters

(R)
Digital
Display Units

(S)
Sensor
Controllers

(T)
Switching
Mode Power
Supplies

(U)
Recorders

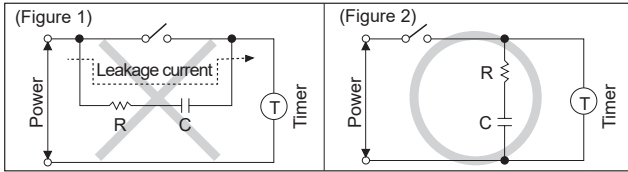
(V)
HMIs

(W)
Panel PC

(X)
Field Network
Devices

■ Proper Usage

- Follow instructions in 'Proper Usage'. Otherwise, it may cause unexpected accidents.
- When supplying or turning off the power, use a switch or etc. to avoid chattering.
- Install a power switch or circuit breaker in the easily accessible place for supplying or disconnecting the power.
- In order to avoid leakage current flowing, connect resistance and condenser as (Figure 2).
If connect as (Figure 1), it may cause malfunction due to leakage current.



- Keep away from high voltage lines or power lines to prevent inductive noise.
In case installing power line and input signal line closely, use line filter or varistor at power line and shielded wire at input signal line.
Do not use near the equipment which generates strong magnetic force or high frequency noise.
- Connect output contacts of different pole to be electrokinetic potential.
- Change setting time(T1), time range or etc. after turning off the power of the timer.
- This unit may be used in the following environments.
 - ① Indoors (in the environment condition rated in 'Specifications')
 - ② Altitude max. 2,000m
 - ③ Pollution degree 2
 - ④ Installation category II