

AR series

Control switch

Features

For the AR series controlling switch, it is possible to apply 2 types (Ø22 / Ø25) panel cutout dimension and in case of using the guide bracket, it is even possible to use it with the Ø30 hole. Various functions and designs have made the selection choice wider and attachment and detachment of the actuator/switch part became very simple.



Specification

Allowable operating frequency		30 times / min (mechanically / electrically)
Rated voltage (Ue)		500 V a.c 50/60 Hz
Rated current (Ie)		5 A 250 V 50/60 Hz
Applying categories		AC-12, AC-13, AC-14, AC-15
Insulation resistance		100 MΩ min
Dielectric strength		2,000 V a.c for 1 min (between the same polarities)
Vibration	Malfuction	10 ~ 55 Hz double amplitude 3 mm (within 1 ms)
Shock	Durability	Min 500 ٪
	Malfuction	Min 100 ٪
Life expectancy	Mechanically	500,000
	Electrically	100,000
Ambient temperature		-25 °C ~ 40 °C
Ambient humidity		45 ~ 85 % R.H
Storage temperature		-40 °C ~ 70 °C

Incandescent lamp and LED specification

Classification	Power supply voltage (1st)	Incandescent lamp and LED capacity		Base
Incandescent lamp	220 V a.c (Trans dropping)	6.3 V	150 mA	BA9S (pin type)
	Without voltage dropping	12 V	80 mA	
		24 V	40 mA	
LED	220 V a.c (Trans dropping)	6 V	72 mA	BA9S (pin type)
	Without voltage dropping	12 V	36 mA	
		24 V	18 mA	

Control switch
Combination display light

Power switch
Main switch
Cam switch

Limit switch
Micro switch

Hoist switch
Foot switch
Mono lever switch



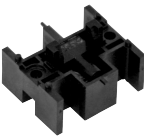






Sign tower
Signal light

Buzzer
Terminal block
Fuse holder


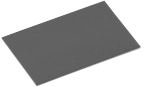


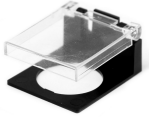



Control box
Cable connector

Discontinued Products

●● Accessories

Types	Appearance	Model	Reference
Switch unit		AR-10a (1a Contact)	Replaced or added by using a bolt
		AR-20b (1b Contact)	
Alternate operation unit		AR-50	Used when changing from a momentary operation to an alternate operation.
Name plate		AR-62	Attaching a name plate prevents the spinning and looks more organized.
		AR-63	
Spin prevention ring		AR-65	Prevents the spinning and looks more organized
		AR-66	Prevents the spinning
Guide bracket		AR-67	Used when attaching onto Ø30 hole panel
Square spinning prevention plate		AR-68	Prevents the spinning

AR series

Types		Appearance	Model	Reference
Name plates	Standard		AR-71	Attached to the standard type name plate and used
	Large		AR-72	Attached to the large type name plate and used
Water proof cap			AR-73, 74	Water proof silicon transparency rubber cap AR-73 : For ARF-F AR-74 : For ARX-G
			AR-75, 76	Water proof silicon transparency rubber cap AR-75 : For ARE-5B AR-76 : For ARE-7B
Protective cover			AR-77	Used in order to prevent the switch to cause malfunction. But it only can be used with the flush type
Nut tightening tool			QR-82	Used to tightening the fixed nut at the back side of panel
Puller			AR-83	Used when replacing the light operation button.
Lamp extractor			UR-81	It is made of rubber and used when replacing the light bulb.

Control switch
Combination display light

Power switch
Main switch
Cam switch

Limit switch
Micro switch

Hoist switch
Foot switch
Mono lever switch

Sign tower
Signal light

Buzzer
Terminal block
Fuse holder

Control box
Cable connector

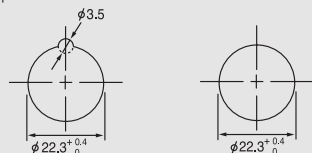
Discontinued Products

How to use

When installing to the panel

① Panel cutout dimension (in case of $22.3^{+0.4}_0$)

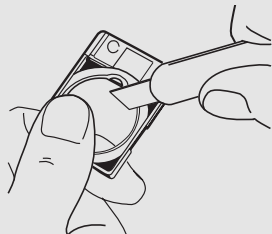
- Select the panel cutout just like an image below when necessary. The thickness of mounting panel is 1mm to 8mm.



When needs to stop spinning

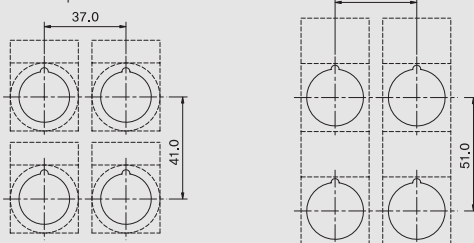
When does not need to stop spinning

- To prevent its spinning, please use a name plate or a spin prevention ring
- When using a name plate that does not require spinning to stop, please cut the stopping area on the back side



② Pattern mounting

- (1) Processing method for mounting the independent switch and standard type name plate. (2) Processing method for mounting the large name plate.



- Process the spinning prevention work in the direction of where Engravings plate is in present.

Note1) above cutout dimension is the minimum mounting size but excluded the large push button switch and long lever selector switch.

Note2) for the long lever switch, use 40x41 (standard name plate) or 40x51 (large name plate)

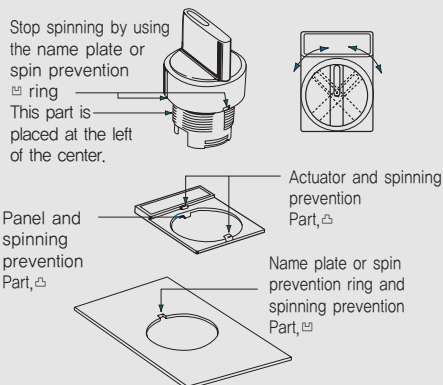
③ Panel cutout dimension (in case of $25^{+0.5}_0$)

- Must use the name plate or spin prevention ring
- Cut the stopping area in the name plate or spin prevention ring

About the replacement

① Mounting method

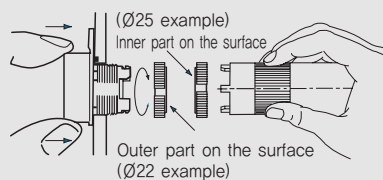
- When using the selector switch and key selector switch, please install the stopper by using the name plate or spin prevention ring



- When using the name plate or spin prevention ring, firstly insert in the 2 wings (on the surface) to the actuator in consecutive order (example: ① and ②) and then push in the panel actuator.

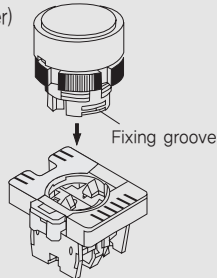


- Actuator is fixed to the panel by pushing in and able to mount by tightening from the backside.



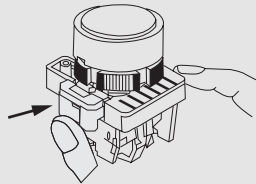
② Mounting method of switch part and actuator

- Assemble it by pushing the switch part until it clicks (push to the direction where stopper of actuator and switch part become parallel to each other)



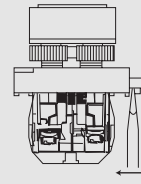
③ Separating method of switch and actuator

- Dismount the switch part by pushing the lever to the arrow direction.



※ Dismounting by hand

- Dismount the switch part by inserting the flat (-) screwdriver near the lever and push it to the arrow direction. Use the flat (-) screwdriver below 5mm.

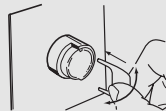


※ Dismounting by using the flat screwdriver

■ Replacing the color cap

① half guard type

- Push the cap puller at near the part of color cap ▢ and rotate it.



② extended type, full guard type, indicator and etc

- Rotate the color cap by using hand (finger)



■ Cap assembling method

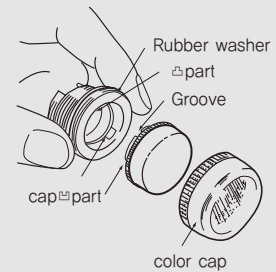
① Illuminated push button switch

- Mount the color cap so that the protrusions ▢ inside the cap fit into the grooves in the pushbutton unit



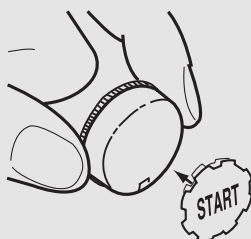
② Indicator

- Mount the color cap so that the protrusions inside the pushbutton unit fit into the grooves in the cap. Please make sure that grooves stay still



■ Affixing Character Film

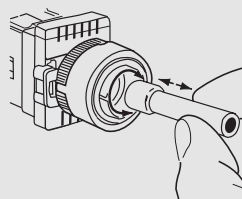
- Make sure that the protruding portions ▢ of the cap engage the cutout portions ▢ of the film.



■ Replacing the lamp

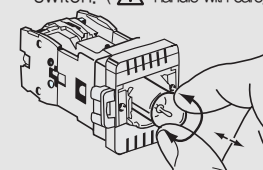
① From the panel surface

- Insert the lamp extractor into the lamp, and then rotate the extractor while pressing it



② On the switch

- Grip the lamp with fingertips and then rotate the lamp while pressing it against the switch. (⚠ handle with care)



(Note) Use 6.3 V incandescent lamp when using voltage dropping transformer (trans dropping)

Control switch
Combination display light

Power switch
Main switch
Cam switch

Limit switch
Micro switch

Hoist switch
Foot switch
Mono lever switch

Sign tower
Signal light

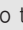

Buzzer
Terminal block
Fuse holder

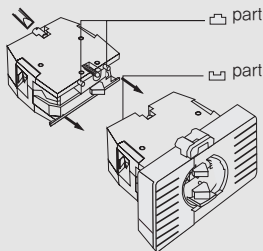
Control box
Cable connector

Discontinued Products

■ About the mounting method

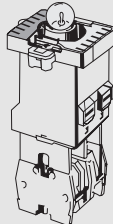
- ① Switch unit mounting method and position ② Unit mounting method and position ③ Ø30 bracket mounting method

- For the connection of switch unit, insert the part of mounting unit  to the  part and tighten it by the flat screwdriver. Connection of the mounting switch unit is possible up to 2 stages.

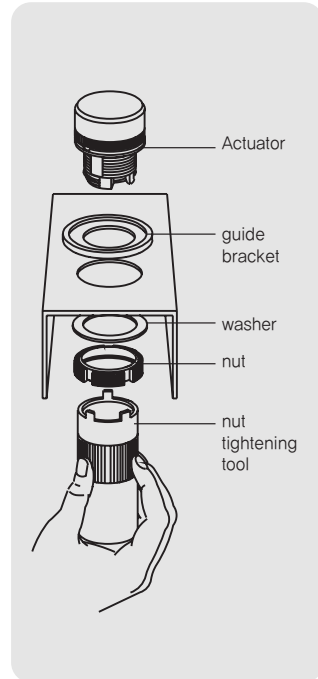
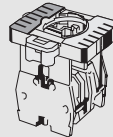


2 stages (Total 4 units)

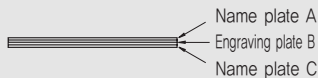
- When changing the momentary operation switch part to the alternative operation, please remove the switch unit, insert the alternative operation unit and lastly insert the switch unit.



- Mounting position of alternative operation unit is the front side of switch unit.



■ About the Engraving plate

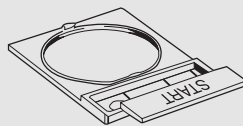


A	B	C
black	white	red

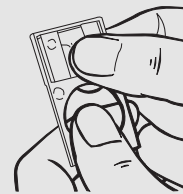
0.6 mm	0.4 mm	Name plate A
0.6 mm	0.4 mm	Engraving plate B
0.6 mm	0.4 mm	Name plate C

■ Mounting and dismounting Engraving plate

- Press name plate unit from the upper side.
- In case of selector switch or key selector switch, the direction of the characters will be changed by the mounting direction of the control panel.



- The name plate is easily removed by pressing engraving plate from the back.



☉ Correct usage

■ Mounting

- The tightening torque of mounting nuts is less than 1.96 N.m
- The tightening torque of mounting bolts of each unit is less than 0.49 N.m
- The thickness of panel is 1 ~ 8 mm

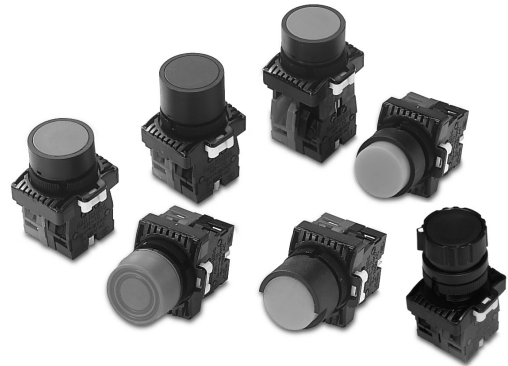
■ Wiring

- Do not get confused with the wires of lamp terminal and switch terminal
- Terminal bolt uses M3,5 and square washer
- The tightening torque of terminal bolt is less than 0.78 N.m
- Single wires, stranded wires and crimp terminal can be connected to the switch
- The width of crimp terminal is less than 7 mm

AR series

Push button switch

- Ø22 and Ø25 hole installation applicable due to the direction of inserting panel fixing nut
- Simple mounting and dismounting between the actuator and contact
- Consecutive installation possible due to the 37 mm x 41 mm installation space



Suffix code

Model	Code	Description
ARF-	<input type="checkbox"/> <input type="checkbox"/> <input type="checkbox"/> <input type="checkbox"/>	Push button switch
Actuator type	F	Flush
	B	Rubber cover
	P	Extended
	G	Full guard
	H	Half guard
	S	Push button selectors
Operation function	1	Momentary
	2	Alternate
Contact composition	10	1a Contact
	20	1b Contact
	12	1a1b Contact
	11	2a Contact
	22	2b Contact
Color of actuator	R	RED
	G	GREEN
	Y	YELLOW
	A	BLUE
	B	BLACK

* ARF-S (Push button selectors) is only available Black color.

Control switch
Combination display light

Power switch
Main switch
Cam switch

Limit switch
Micro switch

Hoist switch
Foot switch
Mono lever switch


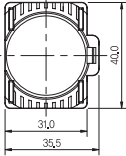
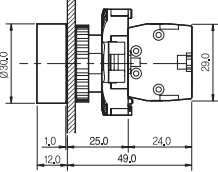

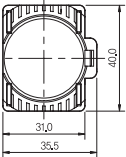
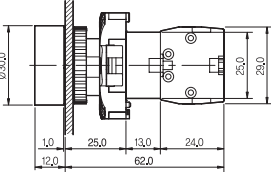

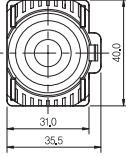
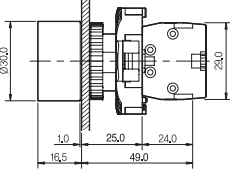

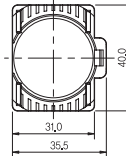
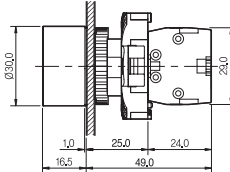

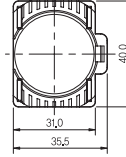
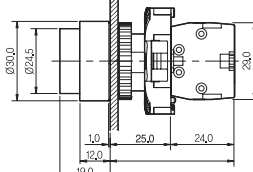

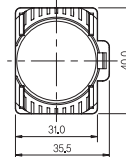
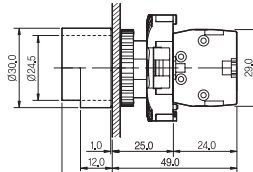

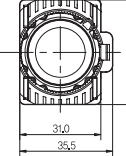
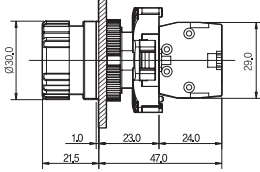
Sign tower
Signal light

Buzzer
Terminal block
Fuse holder

Control box
Cable connector

Discontinued Products

Dimension (unit : mm)

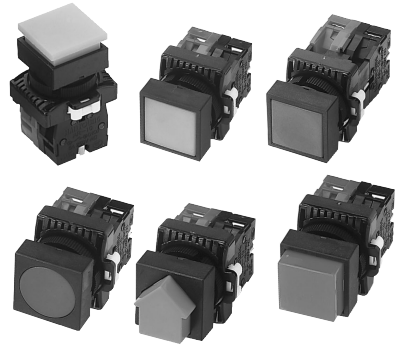
Model	Appearance	Dimension	
ARF-F1 (Momentary operation)			
ARF-F2 (Alternative operation)			
ARF-B1 (Momentary operation)			
ARF-G1 (Momentary operation)			
ARF-P1 (Momentary operation)			
ARF-H1 (Momentary operation)			
ARF-S (Momentary operation)			

※ Please refer the dimension of an alternative-operation switch to "ARF-F2"

AR series

Square push button switch

- Ø22 and Ø25 hole installation applicable due to the direction of inserting panel fixing nut
- Simple mounting and dismounting between actuator and contact
- Various square actuators
- Consecutive installation possible due to the 37 mm x 41 mm installation space



●● Suffix code

Model	Code	Description
ARC-	<input type="checkbox"/> <input type="checkbox"/> <input type="checkbox"/> <input type="checkbox"/>	Square push button switch
Actuator type	I	Arrow extended type
	S	Square flush type
	C	Round flush type
	P	Mushroom type
	PS	Square extended type
Operation function	1	Momentary
	2	Alternate
Contact composition	10	1a Contact
	20	1b Contact
	12	1a1b Contact
	11	2a Contact
	22	2b Contact
Color of actuator	R	RED
	G	GREEN
	Y	YELLOW
	A	BLUE

Control switch
Combination display light

Power switch
Main switch
Cam switch

Limit switch
Micro switch

Hoist switch
Foot switch
Mono lever switch

Sign tower
Signal light

Buzzer
Terminal block
Fuse holder

Control box
Cable connector

Discontinued Products

●● Dimension (unit : mm)

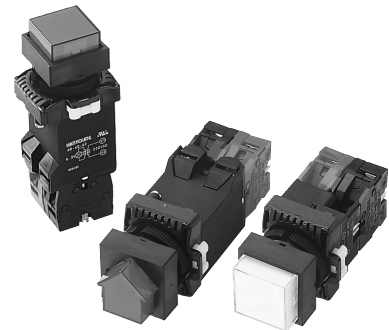
Model	Appearance	Dimension	
ARC-S1 (Momentary operation)			
ARC-S2 (Alternative operation)			
ARC-C1 (Momentary operation)			
ARC-P1 (Momentary operation)			
ARC-I1 (Momentary operation)			
ARC-PS1 (Momentary operation)			

※ Please refer the dimension of an alternative-operation switch to "ARC-S2"

AR series

Square illuminated push button switch

- Ø22 and Ø25 hole installation applicable due to the direction of inserting panel fixing nut
- Simple mounting and dismounting between actuator and contact / transformer
- Various square actuators
- Consecutive installation possible due to the 37 mm x 41 mm installation space



●● Suffix code

Model	Code	Description	
ARC-	<input type="checkbox"/> <input type="checkbox"/> <input type="checkbox"/> <input type="checkbox"/> <input type="checkbox"/>	Square illuminated push button switch	
Actuator type	XI	Arrow illuminated extended type	
	XS	Square illuminated flush type	
Operation function	1	Momentary	
	2	Alternate	
Contact composition	10	1a Contact	
	20	1b Contact	
	12	1a1b Contact	
	11	2a Contact	
	22	2b Contact	
Power supply voltage	A1	110 V a.c	Transformer attached (Incandescent lamp 6.3 V)
	A2	220 V a.c	
	LA1	110 V a.c	Transformer attached (LED 6 V)
	LA2	220 V a.c	
	L6	6 V	Without voltage dropping unit (a.c/d.c) (LED)
	L12	12 V	
	L24	24 V	
	LB1	110 V	
	LB2	220 V	Without voltage dropping unit (a.c/d.c) (Incandescent lamp)
	B6	6.3 V	
B12	12 V		
B24	24 V		
Color of actuator	R	RED	
	G	GREEN	
	Y	YELLOW	
	A	BLUE	
	W	WHITE	

※ LED bulb : 6 V, 12 V, 24 V, 110 V, 220 V

Control switch
Combination display light

Power switch
Main switch
Cam switch

Limit switch
Micro switch

Hoist switch
Foot switch
Mono lever switch

Sign tower
Signal light

Buzzer
Terminal block
Fuse holder

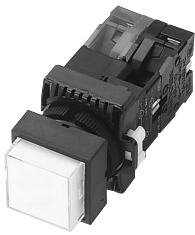
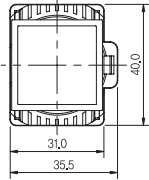
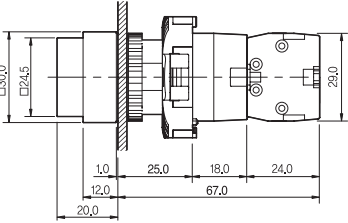

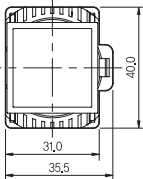
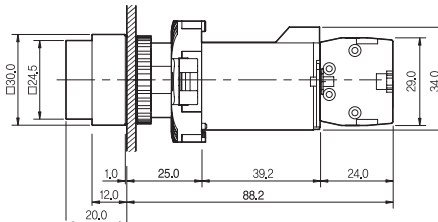
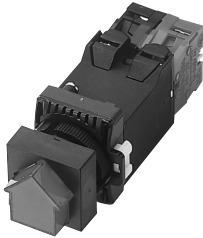
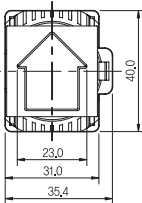
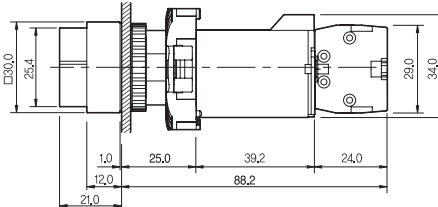
Control box
Cable connector

Discontinued Products

Incandescent lamp and LED specification

Classification	Power supply voltage (1st)	Incandescent lamp and LED capacity		Base
Incandescent lamp	110 V, 220 V a.c (transformer voltage dropping)	6,3 V	150 mA	BA9S (Pin type)
	Without voltage dropping unit	12 V	80 mA	
		24 V	40 mA	
LED	110 V, 220 V a.c (transformer voltage dropping)	6 V	72 mA	
	Without voltage dropping unit	12 V	36 mA	
		24 V	20 mA	
		110 V	5 mA	
		220 V	3 mA	

Dimension (unit : mm)

Model	Appearance	Dimension	
ARC-XS (Without voltage dropping)			
ARC-XS (Transformer attached)			
ARC-XI (Transformer attached)			

AR series

Selector switch

- Ø22 and Ø25 hole installation applicable due to the direction of inserting panel fixing nut
- Simple mounting and dismounting between actuator and contact
- Consecutive installation possible due to the 37 mm x 41 mm installation space



●● Suffix code

Model	Code	Description		
ARS-	<input type="checkbox"/> <input type="checkbox"/> <input type="checkbox"/>	Selector switch		
Actuator type	S	Standard type		
	L	Long lever type		
Operation function	2	2 positions	Alternative operation	-
	2R		Momentary operation	⊙
	3	3 positions (2a is standard)	Alternative operation	-
	3L		Left Momentary operation	⊙
	3R		Right Momentary operation	⊙
	3LR		Left/right Momentary operation	⊙
Contact composition	10	1a Contact		
	20	1b Contact		
	12	1a1b Contact		
	11	2a Contact		
	22	2b Contact		

●● Contact composition

■ 2 positions action

Positions selection	1a Contact	1b Contact	1a1b Contact		2a Contact		2b Contact	
			1a	1b	1a	1a	1b	1b
1 positions	OFF	ON	OFF	ON	OFF	OFF	ON	ON
2 positions	ON	OFF	ON	OFF	ON	ON	OFF	OFF

Control switch
Combination display light

Power switch
Main switch
Cam switch

Limit switch
Micro switch

Hoist switch
Foot switch
Mono lever switch

Sign tower
Signal light

Buzzer
Terminal block
Fuse holder

Control box
Cable connector


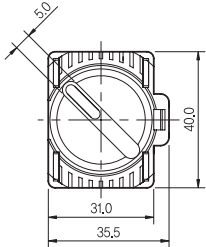
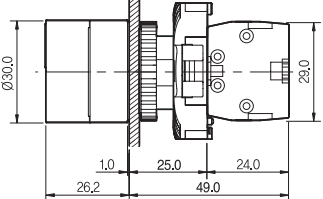

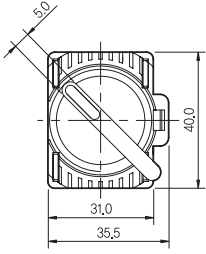
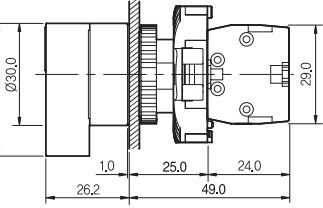
Discontinued Products

■ 3 positions action

Positions selection	1a Contact	1b Contact	1a1b Contact		2a Contact		2b Contact	
			1a	1b	1a	1a	1b	1b
1 positions	OFF	OFF	OFF	OFF	ON	OFF	OFF	ON
2 positions	OFF	ON	OFF	ON	OFF	OFF	ON	ON
3 positions	ON	ON	ON	ON	OFF	ON	ON	OFF

※ Standard type: assembled left and right as 2a contact

⊙ Dimension (unit : mm)

Model	Appearance	Dimension	
ARS-S			
ARS-L			

AR series

Pilot lamp

- Ø22 and Ø25 hole installation applicable due to the direction of inserting panel fixing nut
- Simple mounting and dismantling between actuator and contact / transformer.
- Light source selection: incandescent lamp / LED
- Consecutive installation possible due to the 37 mm x 41 mm installation space



●● Suffix code

Model	Code	Description	
ARP-	<input type="checkbox"/> <input type="checkbox"/> <input type="checkbox"/>	Pilot lamp	
Actuator type	F	Flush type	
	R	Roulette type	
Power supply voltage	A1	110 V a.c	Transformer attached (Incandescent lamp 6,3 V)
	A2	220 V a.c	
	LA1	110 V a.c	Transformer attached (LED 6 V)
	LA2	220 V a.c	
	L6	6 V	Without voltage dropping unit (a.c/d.c) (LED)
	L12	12 V	
	L24	24 V	
	LB1	110 V	
	LB2	220 V	
	B6	6,3 V	
B12	12 V		
B24	24 V		
Color of actuator	R	RED	
	G	GREEN	
	Y	YELLOW	
	W	WHITE	
	A	BLUE	

Control switch
Combination display light

Power switch
Main switch
Cam switch

Limit switch
Micro switch

Hoist switch
Foot switch
Mono lever switch

Sign tower
Signal light

Buzzer
Terminal block
Fuse holder



Control box
Cable connector

Discontinued Products


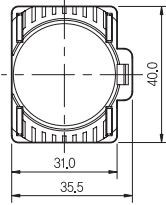
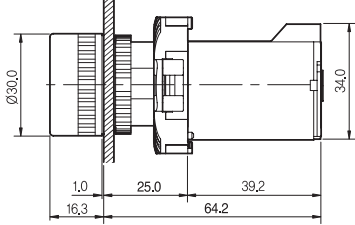

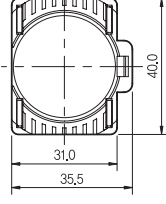
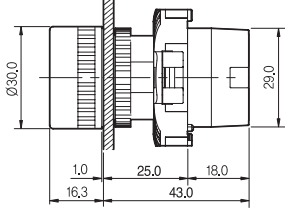
Incandescent lamp and LED specification

Classification	Power supply voltage (1st)	Incandescent lamp and LED capacity		Base
Incandescent lamp	110 V, 220 V a.c (transformer voltages dropping)	6,3 V	150 mA	BA9S (Pin type)
	Without voltage dropping unit	12 V	80 mA	
		24 V	40 mA	
LED	110 V, 220 V a.c (transformer voltages dropping)	6 V	72 mA	
	Without voltage dropping unit	12 V	36 mA	
		24 V	20 mA	
		110 V	5 mA	
		220 V	3 mA	

Shape of indicator

ARP-F (Flush type)	ARP-R (Roulette type)
	

Dimension (unit : mm)

Model	Appearance	Dimension	
ARP-F (Transformer attached)			
ARP-R (Without voltage dropping)			

AR series

Illuminated push button switch

- Ø22 and Ø25 hole installation applicable due to the direction of inserting panel fixing nut
- Simple mounting and dismantling between actuator and contact / transformer
- Various square actuators
- Consecutive installation possible due to the 37 mm x 41 mm installation space



● Suffix code

Model	Code	Description	
ARX-	<input type="checkbox"/> <input type="checkbox"/> <input type="checkbox"/> <input type="checkbox"/> <input type="checkbox"/>	Illuminated push button switch	
Actuator type	P	Extended type	
	G	Full guard type	
	H	Half guard type	
	S	ON · OFF push type	
Operation function	1	Momentary	
	2	Alternate ※ Except ARX-S	
Contact composition	10	1a Contact	
	20	1b Contact	
	12	1a1b Contact	
	11	2a Contact	
	22	2b Contact	
Power supply voltage	A1	110 V a.c	Transformer attached (Incandescent lamp 6.3 V)
	A2	220 V a.c	
	LA1	110 V a.c	Transformer attached (LED 6 V)
	LA2	220 V a.c	
	L6	6 V	Without voltage dropping unit (a.c/d.c) (LED)
	L12	12 V	
	L24	24 V	
	LB1	110 V	
	LB2	220 V	
	B6	6.3 V	Without voltage dropping unit (a.c/d.c) (Incandescent lamp)
B12	12 V		
B24	24 V		
Color of actuator	R	RED	
	G	GREEN	
	Y	YELLOW	
	W	WHITE	
	A	BLUE	

※ Actuator color of type ARX-S: red, green and assigned color

Control switch
Combination display light

Power switch
Main switch
Cam switch

Limit switch
Micro switch

Hoist switch
Foot switch
Mono level switch

Sign tower
Signal light

Buzzer
Terminal block
Fuse holder


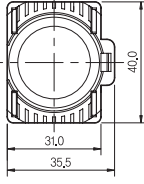
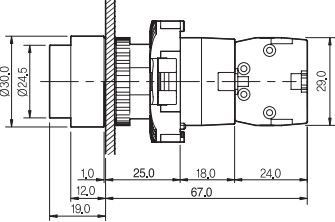

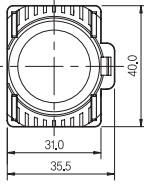
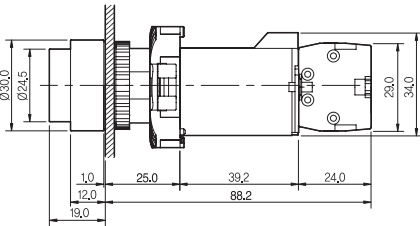

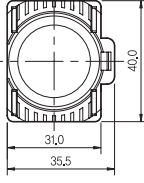
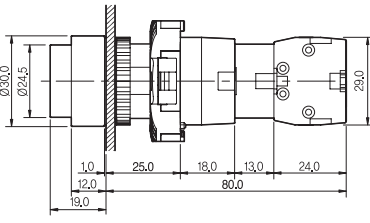
Control box
Cable connector

Discontinued Products


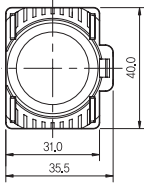
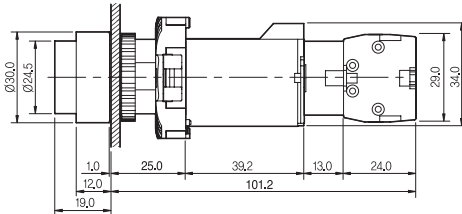

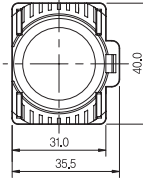
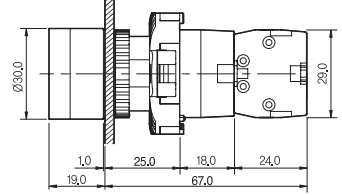

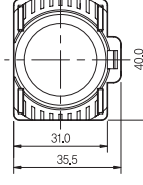
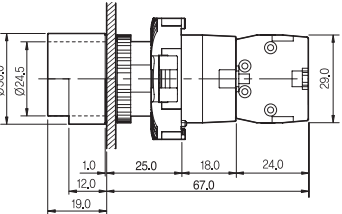

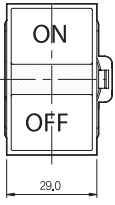
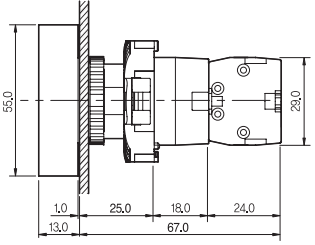
●● Incandescent lamp and LED specification

Classification	Power supply voltage (1st)	Incandescent lamp and LED capacity		Base
incandescent lamp	110 V, 220 V a.c (transformer voltages dropping)	6,3 V	150 mA	BA9S (Pin type)
	Without voltage dropping unit	12 V	80 mA	
		24 V	40 mA	
LED	110 V, 220 V a.c (transformer voltages dropping)	6 V	72 mA	
	Without voltage dropping unit	12 V	36 mA	
		24 V	20 mA	
		110 V	5 mA	
		220 V	3 mA	

●● Dimension (unit : mm)

Model	Appearance	Dimension	
ARX-P Without voltage dropping (alternative operation)			
ARX-P Transformer attached (momentary operation)			
ARX-P Without voltage dropping (alternative operation)			

AR series

Model	Appearance	Dimension	
ARX-P Transformer attached (alternative operation)			
ARX-G Without voltage dropping (momentary operation)			
ARX-H Without voltage dropping (momentary operation)			
ARX-S Without voltage dropping (momentary operation)			

※ ARX-S indication I and O are optional

Control
switch
Combination
display light

Power switch
Main switch
Cam switch

Limit switch
Micro switch

Hoist switch
Foot switch
Mono lever switch

Sign tower
Signal light

Buzzer
Terminal block
Fuse holder

Control box
Cable connector

Discontinued
Products


AR series

Illuminated selector switch

- Ø22 and Ø25 hole installation applicable due to the direction of inserting panel fixing nut
- Simple mounting and dismounting between actuator and contact / transformer
- Consecutive installation possible due to the 37 mm x 41 mm installation space



●● Suffix code

Model	Code	Description	
ART-	<input type="checkbox"/> <input type="checkbox"/> <input type="checkbox"/> <input type="checkbox"/>	Illuminated selector switch	
Operation function	2	2 positions manual	
	2R	2 positions automatic 	
	3	3 positions manual	
Contact composition	10	1a Contact	
	20	1b Contact	
	12	1a1b Contact	
	11	2a Contact	
	22	2b Contact	
Power supply voltage	A1	110 V a.c	Transformer attached (incandescent lamp 6.3 V)
	A2	220 V a.c	
	LA1	110 V a.c	Transformer attached (LED 6 V)
	LA2	220 V a.c	
	L6	6 V	Without voltage dropping unit (a.c/d.c) (LED)
	L12	12 V	
	L24	24 V	
	LB1	110 V	
	LB2	220 V	
	B6	6 V (6.3 V)	Without voltage dropping unit (a.c/d.c) (Incandescent lamp)
B12	12 V		
B24	24 V		
Color of actuator	R	RED	
	G	GREEN	
	Y	YELLOW	
	A	BLUE	

※ please refers to the incandescent lamp and LED specification

●● Contact composition

■ 2 positions action


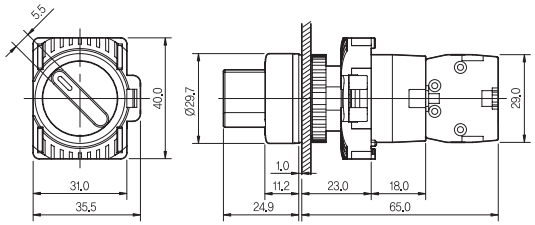

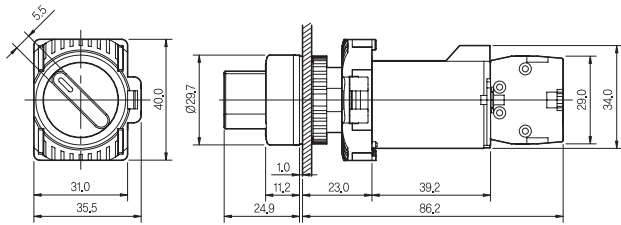
Positions selection	1a Contact	1b Contact	1a1b Contact		2a Contact		2b Contact	
			1a	1b	1a	1a	1b	1b
1 position	OFF	ON	OFF	ON	OFF	OFF	ON	ON
2 positions	ON	OFF	ON	OFF	ON	ON	OFF	OFF

■ 3 positions action

Positions selection	1a Contact	1b Contact	1a1b Contact		2a Contact		2b Contact	
			1a	1b	1a	1a	1b	1b
1 position	OFF	OFF	OFF	OFF	ON	OFF	OFF	ON
2 positions	OFF	ON	OFF	ON	OFF	OFF	ON	ON
3 positions	ON	ON	ON	ON	OFF	ON	ON	OFF

※ Standard type: assembled left and right as 2a contact

●● Dimension (unit : mm)

Model	Appearance	Dimension
ART Without voltage dropping unit		
ART Transformer attached		

Control switch
Combination
display light

Power switch
Main switch
Cam switch

Limit switch
Micro switch

Hoist switch
Foot switch
Mono lever switch

Sign tower
Signal light

Buzzer
Terminal block
Fuse holder

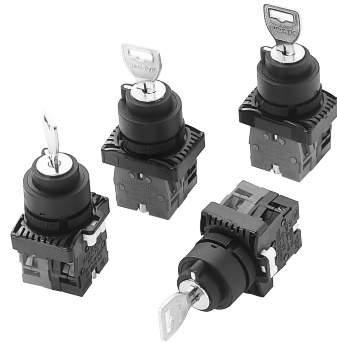
Control box
Cable connector

Discontinued
Products

AR series

Key selector switch

- Ø22 and Ø25 hole installation applicable due to the direction of inserting panel fixing nut
- Simple mounting and dismounting between actuator and contact
- Consecutive installation possible due to the 37 mm x 41 mm installation space



●● Suffix code

Model	Code	Description	
ARK-	<input type="checkbox"/> <input type="checkbox"/> <input type="checkbox"/>	Key selector switch	
Operation function	2	2 positions	Manual
	2R		Auto
	3	3 positions	Manual
	3L		Both
	3R		Both
	3LR		Auto
Contact composition	10	1a Contact	
	20	1b Contact	
	12	1a1b Contact	
	11	2a Contact	
	22	2b Contact	
Key release position	A	Left	
	B	Right	
	C	Middle	
	D	Left and right	
	E	All directions	

●● Contact composition

■ 2 positions action


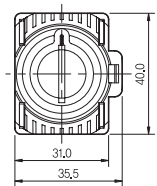
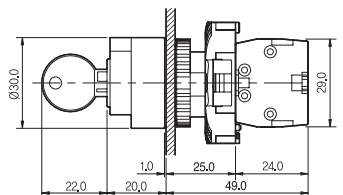
Positions selection	1a Contact	1b Contact	1a1b Contact		2a Contact		2b Contact	
			1a	1b	1a	1a	1b	1b
1 position	OFF	ON	OFF	ON	OFF	OFF	ON	ON
2 positions	ON	OFF	ON	OFF	ON	ON	OFF	OFF

■ 3 positions action

Positions selection	1a Contact	1b Contact	1a1b Contact		2a Contact		2b Contact	
			1a	1b	1a	1a	1b	1b
1 position	OFF	OFF	OFF	OFF	ON	OFF	OFF	ON
2 positions	OFF	ON	OFF	ON	OFF	OFF	ON	ON
3 positions	ON	ON	ON	ON	OFF	ON	ON	OFF

※ Standard type : assembled left and right as 2a contact

●● Dimension (unit : mm)

Model	Appearance	Dimension	
ARK			

Control switch
Combination display light

Power switch
Main switch
Cam switch

Limit switch
Micro switch

Hoist switch
Foot switch
Mono lever switch

Sign tower
Signal light

Buzzer
Terminal block
Fuse holder

Control box
Cable connector

Discontinued Products

AR series

Emergency stop switch

- Ø22 and Ø25 hole installation applicable due to the direction of inserting panel fixing nut
- Simple mounting and dismounting between actuator and contact
- Consecutive installation possible due to the 37 mm x 41 mm installation space



Suffix code


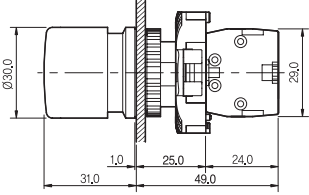

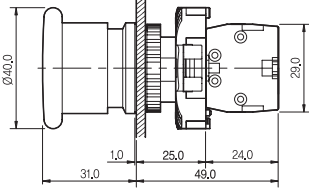

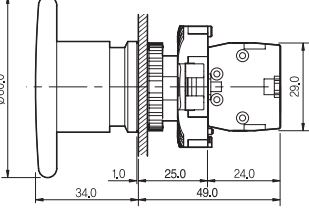
Model	Code	Description
ARE-	□ □ □ □	Emergency stop switch
Actuator type	3	Ø30 Standard type
	4	Ø40 Mushroom type
	6	Ø60 Mushroom type
Operation function	B	Momentary operation
	P	Push-lock Pull-reset
	R	Push-lock Turn-reset
	K	Push lock-Key reset
Contact composition	10	1a Contact
	20	1b Contact
	12	1a1b Contact
	11	2a Contact
	22	2b Contact
Color of actuator	R	Red (Possible applying function code B, P, R, K)
	G	Green (Applying operation function code B)
	Y	Yellow (Applying operation function code 4B)

Standard suffix code


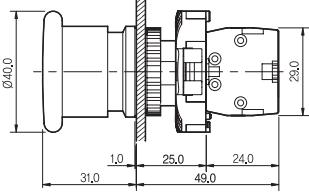

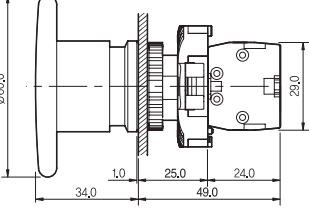
Dimension	Momentary operation	Push lock-pull reset	Push lock-turn reset	Push lock-key reset
Ø30	ARE-3B□□	-	ARE-3R□R ARE-3R□G	ARE-3K□□
Ø40	ARE-4B□□	ARE-4P□R	ARE-4R□R ARE-4R□G	ARE-4K□R
Ø60	ARE-6B□□	ARE-6P□R	ARE-6R□R	ARE-6K□R

Dimension (unit : mm)

■ Momentary operation

Model	Appearance	Dimension
ARE-3B □ □ Ⓡ Ⓞ		
ARE-4B □ □ Ⓡ Ⓞ Ⓢ		
ARE-6B □ □ Ⓡ Ⓞ		

■ Push lock-pull reset

Model	Appearance	Dimension
ARE-4P □ R Ⓡ		
ARE-6P □ R Ⓡ		

Control switch
Combination display light

Power switch
Main switch
Cam switch

Limit switch
Micro switch

Hoist switch
Foot switch
Mono lever switch


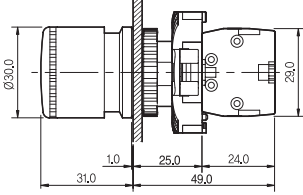

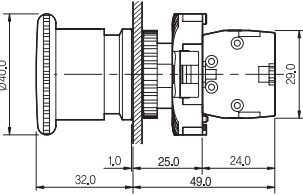
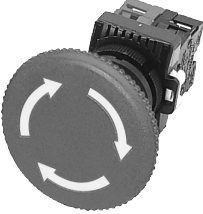
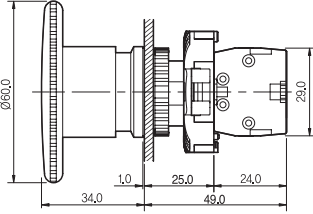
Sign tower
Signal light

Buzzer
Terminal block
Fuse holder


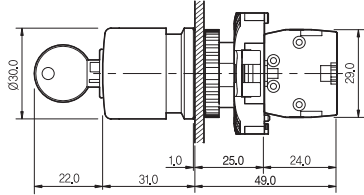

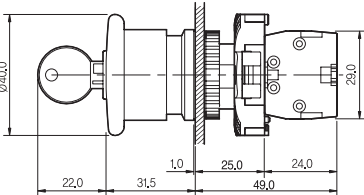

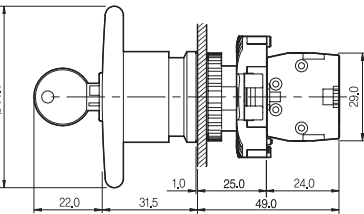
Control box
Cable connector

Discontinued Products

■ Push lock-turn reset

Model	Appearance	Dimension
ARE-3R□□ (R)		
ARE-4R□□ (R)		
ARE-6R□R (R)		

■ Push lock-key reset

Model	Appearance	Dimension
ARE-3K□□ Ⓡ		
ARE-4K□□ Ⓡ		
ARE-6K□R Ⓡ		

Control switch
Combination display light

Power switch
Main switch
Cam switch

Limit switch
Micro switch

Hoist switch
Foot switch
Mono lever switch

Sign tower
Signal light

Buzzer
Terminal block
Fuse holder

Control box
Cable connector

Discontinued Products

AR series

Illuminated emergency stop switch

- Ø22 and Ø25 hole installation applicable due to the direction of inserting panel fixing nut
- Simple mounting and dismantling between actuator and contact / transformer
- Consecutive installation possible due to the 37 mm x 41 mm installation space


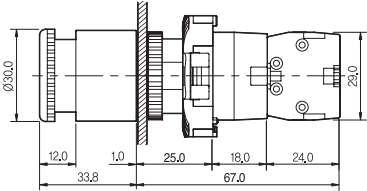

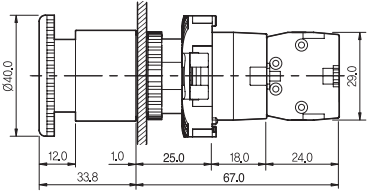


●● Suffix code


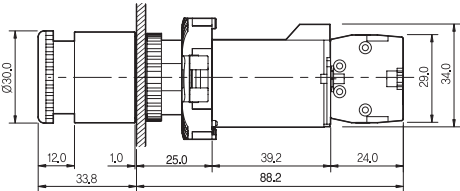

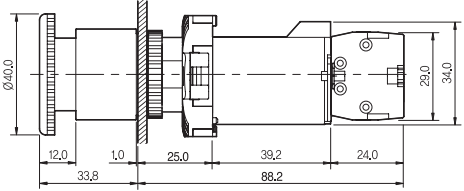
Model	Code					Description	
ARE-	<input type="checkbox"/>	<input type="checkbox"/>	<input type="checkbox"/>	<input type="checkbox"/>	<input type="checkbox"/>	Illuminated emergency stop switch	
Actuator type	3					Ø30 Mushroom type	
	4					Ø40 Mushroom type	
Operation function	XR					Push lock-Turn reset	
Contact composition	10					1a Contact	
	20					1b Contact	
	12					1a1b Contact	
	11					2a Contact	
	22					2b Contact	
Power supply voltage	A1					110 V a.c	Transformer attached (Incandescent lamp 6.3 V)
	A2					220 V a.c	
	LA1					110 V a.c	Transformer attached (LED 6 V)
	LA2					220 V a.c	
	L6					6 V	Without voltage dropping unit (a.c/d.c) (LED)
	L12					12 V	
	L24					24 V	
	LB1					110 V	
	LB2					220 V	
	B6					6.3 V	Without voltage dropping unit (a.c/d.c) (Incandescent lamp)
	B12					12 V	
B24					24 V		
Color of actuator	R					Red	
	G					Green ※ Only for ARE-3XR	

●● Dimension (unit : mm)

■ Push lock-turn reset (Without voltage dropping unit)

Model	Appearance	Dimension
ARE-3XR Ⓡ		
ARE-4XR Ⓡ		

■ Push lock-turn reset (Transformer attached)

Model	Appearance	Dimension
ARE-3XR Ⓡ Ⓞ		
ARE-4XR Ⓡ		

Control switch
Combination display light

Power switch
Main switch
Cam switch

Limit switch
Micro switch

Hoist switch
Foot switch
Mono lever switch

Sign tower
Signal light

Buzzer
Terminal block
Fuse holder

Control box
Cable connector

Discontinued Products

AR series

One body type push button switch


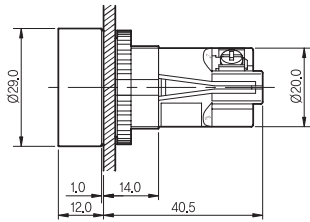

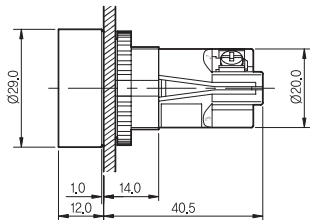
- Simple handling because the actuator and contact part are one body type
- $\varnothing 22$ and $\varnothing 25$ hole installation applicable due to the direction of inserting panel fixing nut
- Consecutive installation possible due to the 31 mm x 31 mm installation space




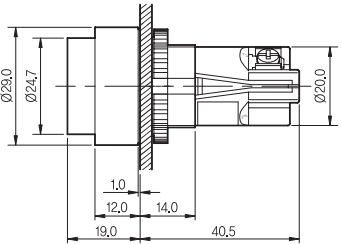

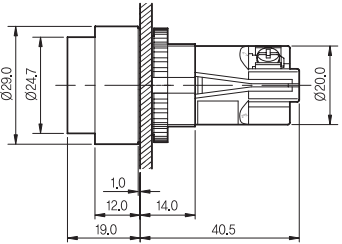
●● Suffix code

Model	Code	Description
ARF-D	<input type="checkbox"/> <input type="checkbox"/> <input type="checkbox"/> <input type="checkbox"/>	One body type push button switch
Actuator type	F	Flush type
	P	Extended type
Operation function	1	Momentary
	2	Alternate
Contact composition	10	1a Contact
	20	1b Contact
	12	1c Contact
Color of actuator	R	RED
	G	GREEN
	Y	YELLOW
	A	BLUE

●● Dimension (unit : mm)

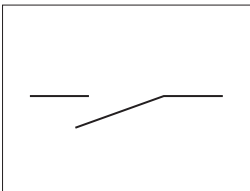
Model	Appearance	Dimension
ARF-DF1 (Momentary operation)		
ARF-DF2 (Alternate operation)		

AR series

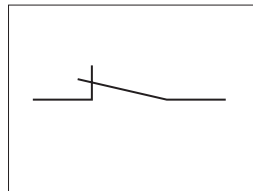
Model	Appearance	Dimension
ARF-DP1 (Momentary operation)		
ARF-DP2 (Alternate operation)		

●● Contact composition

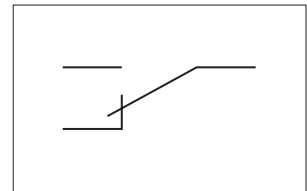
■ a Contact



■ b Contact



■ c Contact



Control switch
Combination display light

Power switch
Main switch
Cam switch

Limit switch
Micro switch

Hoist switch
Foot switch
Mono level switch

Sign tower
Signal light

Buzzer
Terminal block
Fuse holder

Control box
Cable connector

Discontinued Products

AR series

One body type pilot lamp

- Ø22 and Ø25 hole installation applicable due to the direction of inserting panel fixing nut
- Simple handling because the actuator and contact part are one body type
- Consecutive installation possible due to the 31 mm x 31 mm installation space



Suffix code

Model	Code	Description	
ARP-D	<input type="checkbox"/> <input type="checkbox"/> <input type="checkbox"/>	Indicator light	
Actuator type	F	Flush type	
	R	Roulette type	
Power supply voltage	B6	6.3 V	Without voltage dropping unit (a.c/d.c) (Incandescent lamp)
	B12	12 V	
	B24	24 V	
	L6	6 V	Without voltage dropping unit (a.c/d.c) (LED)
	L12	12 V	
	L24	24 V	
	LB1	110 V	
	LB2	220 V	
Color of indicator	R	RED	
	G	GREEN	
	Y	YELLOW	
	W	WHITE	
	A	BLUE	

Dimension (unit : mm)

Model	Appearance	Dimension
ARP-DF (Flush type)		
ARP-DR (Roulette type)		