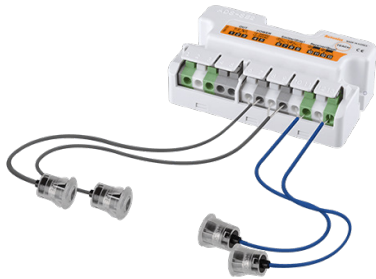


# Automatic Door Side Sensors



## ADS-SE1/2 Series CATALOG

For your safety, read and follow the considerations written in the instruction manual, other manuals and Autonics website.

The specifications, dimensions, etc. are subject to change without notice for product improvement. Some models may be discontinued without notice.

### Features

- Long sensing distance: 0 to 10 m
- High ambient intensity of illumination  
: max. 100,000 lx of sunlight
- Easy to connect the sensor head to the controller
- Easy sensitivity setting (automatic sensitivity setting by one push method)
- Self-diagnosis function
- Compact Size (W 77 × L 44 × H 24 mm)

### Product Components


- Sensor: ADS-SHP (1 set - emitter and receiver)
- Fixing bolt for the controller (M4×20) × 2

### Specifications

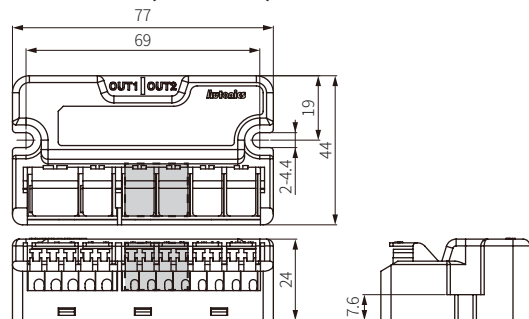
Model	ADS-SE1	ADS-SE2
Available sensor sets	1 channel	2 channels
Sensing distance	0 to 10 m	
Sensing target	Opaque materials	
Min. sensing target	≥ Ø 20 mm	
Sensing method	Through-beam type	
Response time	≈ 50 ms (from interrupted light)	
Output holding time	≈ 500 ms (from received light)	
Light source	Infrared LED (850 nm modulated)	
Indicator	OUT 1 indicator (red), OUT 2 indicator (green)	
Approval	CE ENEC	
Weight (packaged)	≈ 300 g (≈ 450 g)	
Power supply	12 - 24 VAC ~ ± 10 %, 50 / 60 Hz / 12 - 24 VDC = ± 10 % (ripple P-P: ≤ 10 %)	
Power consumption	AC: ≤ 2 VA / DC: ≤ 50 mA	
Control output	Relay contact output	
Relay contact capacity <sup>01)</sup>	50 VDC = 0.3 A (resistive load)	
Relay contact composition	1c	
Relay life cycle	Mechanical: ≥ 5,000,000 times, electrical: ≥ 100,000 times	
Insulation resistance	≥ 20 MΩ (500 VDC = megger)	
Vibration	1 mm double amplitude at frequency of 10 to 55 Hz (for 1 minute) in each X, Y, Z direction for 2 hours	
Shock	500 m/s <sup>2</sup> (≈ 50 G) in each X, Y, Z direction for 3 times	
Ambient illumination (receiver)	Sunlight: ≤ 100,000 lx	
Ambient temperature	-20 to 55 °C, storage: -25 to 60 °C (no freezing or condensation)	
Ambient humidity	35 to 85 %RH, storage: 35 to 85 %RH (no freezing or condensation)	
Protection structure	IP30 (IEC standard)	
Connection	Cable connector type	
Sensor cable	Ø 2.4 mm, 1-wire, 5 m	
Wire spec.	AWG26 (0.16 mm, 7-core), insulator outer diameter: Ø 1.32 mm	
Material of the controller	Housing: ABS, cover: ABS, bolt: SCM (brass, Ni-plate)	
Material of the sensor	Holder: ABS, lens: PMMA, lens guide: PC, nut: PC	

01) Do not use the load which is beyond the rated capacity of contact point of relay. It may cause bad insulation, contact fusion, bad contact, relay breakdown, and fire etc.

### Dimensions

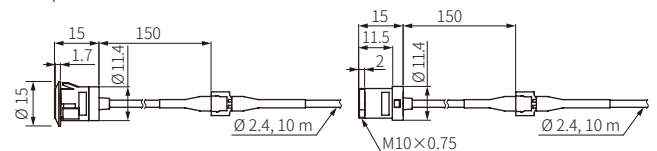
- Unit: mm, For the detailed drawings, follow the Autonics website.
-  part is only for ADS-SEC2.

#### ■ Controller (ADS-SEC□)

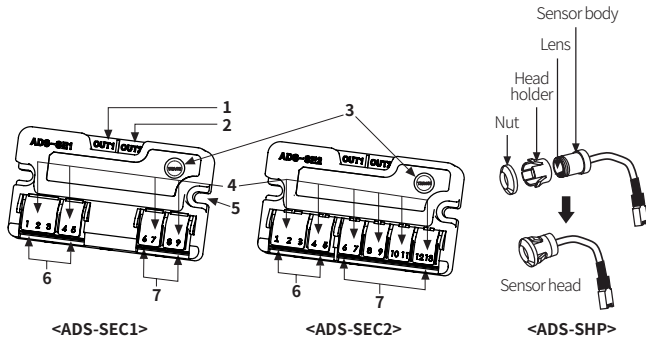


#### ■ Sensor (ADS-SHP)

- One push method



## Unit Descriptions



1	OUT 1 indicator	2	OUT 2 indicator	3	Sensitivity setting key (TEACH)
4	Wiring connection button	5	Mounting hole	6	Power and output connection terminal (1 to 5)
7	Emitter/Receiver sensor connector terminals <sup>01)</sup>				

01) ADS-SEC1: 6 to 9, ADS-SEC2: 6 to 13

## Sold Separately

- Mounting bracket: ADS-SB12 (one push method)
- Mounting bracket: ADS-SB10 (screw method)
- Sensor: ADS-SHP (1 set - emitter and receiver)
- Controller: ADS-SEC

## Sold Separately: Mounting Bracket

- Unit: mm, For the detailed drawings, follow the Autonics website.

### ■ ADS-SB12 (one push method) ■ ADS-SB10 (screw method)

