



35mm wide
Rail Mount

Features:

- Under current, over current protection
- RMS value measurement
- 1Ø with inbuilt CT
- Power ON delay, Trip time delay and Delay on release
- Adjustable switching hysteresis
- One alarm relay with NC or NO operation selectable

Technical Specifications

Display

Display	Liquid Crystal Display
Digits	3

Input Specifications

Functions	
Measurements	Current
Time Settings	Power ON delay, response delay, delay on release
Alarm Indications	Trip
Latching	Selectable
Reset	Auto / Manual (Selectable)
Network	
AC Network	1Ø-2 wire
Auxiliary Supply	
Supply Voltage	110V / 230V AC ±15%
Frequency	45 - 65Hz
VA Rating	12VA max
CT Settings	
CT Primary	1A/5A - 999A
CT Secondary	1A / 5A (selectable)
Current Rating	
Measuring Range (RMS Value)	0 - 1.19kA
Trip Settings	
Under Current Protection	0 - 999A
Over Current Protection	0.5A - 1.19kA
Delay	
Power ON Delay	0.5 - 99.9sec
Trip Time Delay	0 - 99.9sec
Delay on Release	0 - 99.9sec
Response Time	< 100ms

Hysteresis

Current	0.1 - 99.9A (Depends on CT Setting)
---------	--

Resolution

Current	0.01, 0.1, 1A, 0.01kA (Depends on CT Setting)
---------	--

Accuracy

Current	±1% of CT Setting, ±2 digits
Time (Recovery Time, Trip Delay, power ON Delay)	±5% of CT Setting + 100ms

Output Specifications

No. of Relays	1
Type of output	1C/0 (SPDT)
Relay Rating	NO : 5A, 250V AC NC : 3A, 250V AC

LED Indication

LED1 (Green)	Power ON
LED2 (Red)	Trip

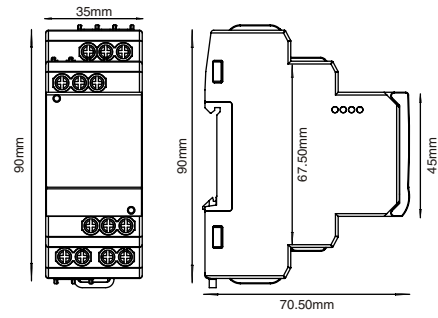
Environmental Specifications

Temperature	Operating Temperature: 0°C to +50°C Storage Temperature : -20°C to +70°C
Humidity (non-condensing)	Upto 95% RH
Pollution Degree	2
Degree of protection	IP50 Faceplate IP30 Housing IP20 Terminals

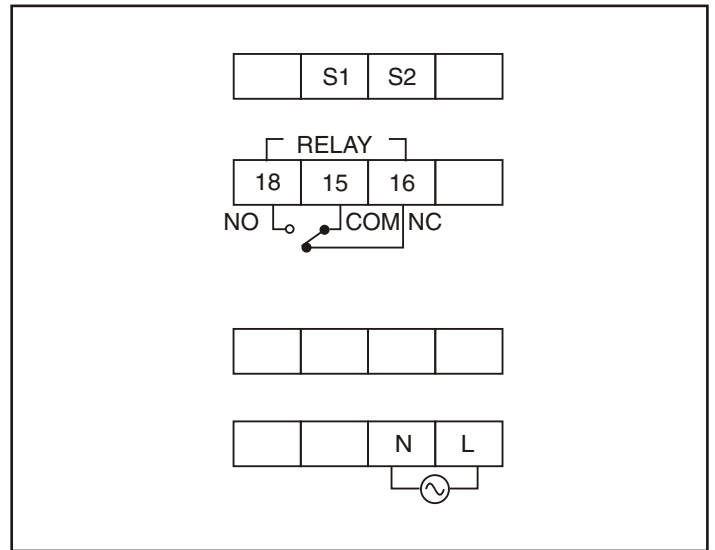
Mechanical Specifications

No. of Push Button	3
Size	35mm wide
Mounting	Din Rail Mount
Weight	127 g
Conductor cross section (Solid)	1 x (0.5 to 4) Sq mm
Conductor cross section sleeved (Stranded)	2 x (0.5 to 1.5) Sq mm 1 x (0.5 to 2.5) Sq mm
Screw tightening torque	0.5 Nm

Dimensions



Terminal Connections



Ordering Information

Part No.	Supply Voltage
900CPR-1-110V	110V AC
900CPR-1-230V	230V AC



35mm wide
Rail Mount

Features:

- Under current, Over current protection
- Current asymmetry protection (for 3Ø systems only)
- RMS value measurement
- Power ON delay, Trip time delay and Delay on release
- Adjustable switching hysteresis
- One alarm relay with NC or NO operation selectable

Technical Specifications

Display

Display	Liquid Crystal Display
Digits	3

Input Specifications

Functions	
Measurements	Current, Current Asymmetry
Time Settings	Power ON delay, response delay, delay on release
Alarm Indications	Trip
Latching	Selectable
Reset	Auto / Manual
Network	
AC network	1Ø-2W 3Ø-3W 3Ø-4W
Auxiliary Supply	
Supply Voltage (factory set)	110V / 230V AC $\pm 15\%$
Frequency	45 - 65Hz
VA Rating	12VA max
CT Settings	
CT Primary	1A/5A - 999A
CT Secondary	1A / 5A (selectable)
Current Rating	
Measuring Range (RMS Value)	0 - 1.19kA
Trip Settings	
Under Current Protection	0 - 999A
Over Current Protection	0.5A - 1.19kA
Current Asymmetry	5.0 - 99.9% A
Delay	
Power ON Delay	0.5 - 99.9sec
Trip Time Delay	0 - 99.9sec
Delay on Release	0 - 99.9sec
Response Time	<200ms

Hysteresis

Current	0.1 - 99.9A (Depends on CT Setting)
---------	--

Resolution

Current	0.01, 0.1, 1A, 0.01kA (Depends on CT Setting)
---------	--

Accuracy

Current	$\pm 1\%$ of CT Setting, ± 2 digits
Time (Recovery Time, Trip delay, Power ON Delay)	$\pm 5\%$ of CT Setting + 200ms

Output Specifications

No. of Relays	1
Type of output	1C/O (SPDT)
Relay Rating	NO : 5A, 250V AC NC : 3A, 250V AC

LED Indication

LED1 (Green)	Power ON
LED2 (Red)	Trip

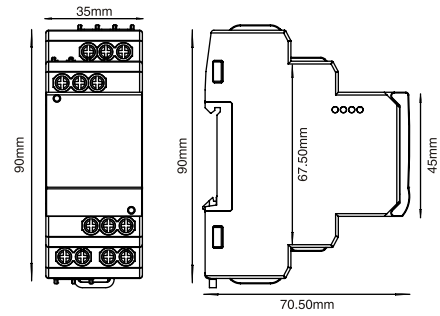
Environmental Specifications

Temperature	Operating Temperature: 0°C to +50°C Storage Temperature : -20°C to +70°C
Humidity (non-condensing)	Upto 95% RH
Pollution Degree	2
Degree of protection	IP50 Faceplate IP30 Housing IP20 Terminals

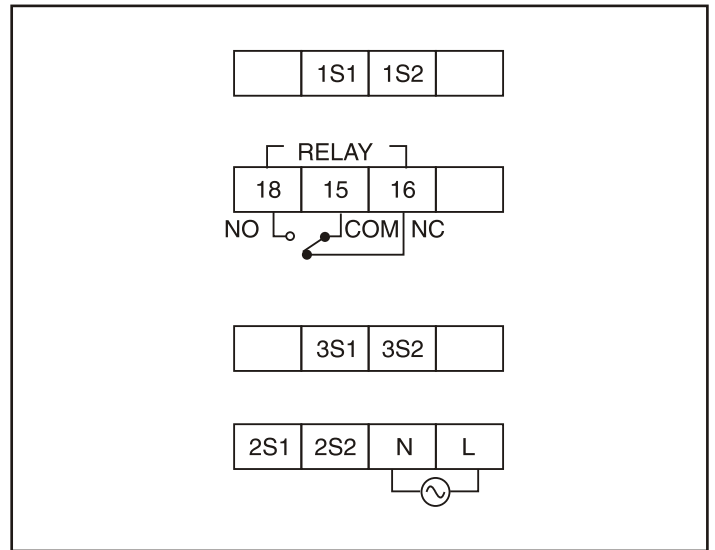
Mechanical Specifications

No. of Push Button	3
Size	35mm width
Mounting	Din Rail Mount
Weight	146 g
Conductor cross section (Solid)	1 x (0.5 to 4) Sq mm
Conductor cross section sleeved (Stranded)	2 x (0.5 to 1.5) Sq mm 1 x (0.5 to 2.5) Sq mm
Screw tightening torque	0.5 Nm

Dimensions



Terminal Connections



Ordering Information

Part No.	Supply Voltage
900CPR-3-110V	110V AC
900CPR-3-230V	230V AC