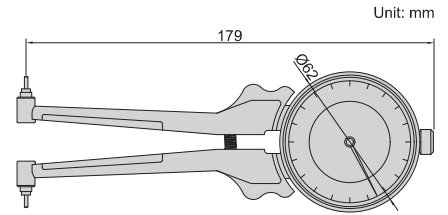


## INTERNAL DIAL CALIPER GAGE WITH INTERCHANGEABLE POINTS

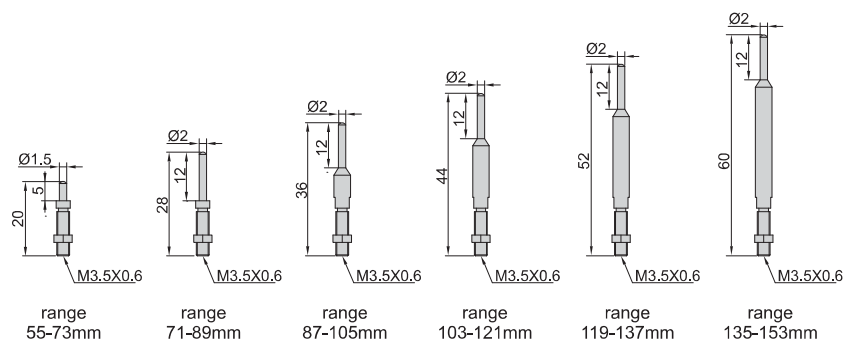


2223-153



Unit: mm

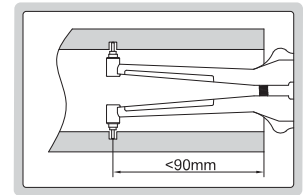
6 pair of points (included)



Unit: mm

- Supplied with 6 pairs of points

Code	Range	Dial indicator range	Graduation	Accuracy
2223-153	55-153mm	2mm	0.01mm	±0.02mm



DATA OUTPUT

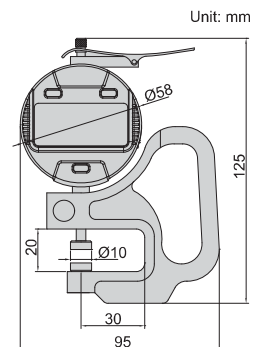
## DIGITAL THICKNESS GAGES

- Ceramic spindle tip and anvil
- Buttons: on/off, zero, mm/inch
- Battery CR2032, automatic power off
- Data output
- Optional accessory: data output cable (code 7315-50M, 7302-50M)

Code	Range	Resolution	Accuracy
2871-10	0-10mm/0-0.4"	0.01mm/0.0005"	±0.02mm
2871-101	0-10mm/0-0.4"	0.001mm/0.00005"	±0.005mm



2871-101



Unit: mm