

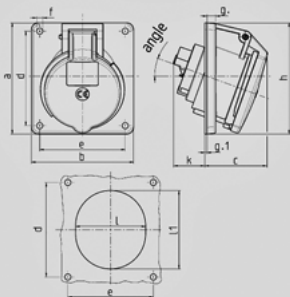
Panel mounted receptacle - Part no. 1462



- screw terminals
- suitable for through wiring
- 20° inclination

Technical information

Ampere	16 A
Poles	3 p
Voltage	110 V
Earth position	4 h
Hertz	50-60 Hz
Connection technology	Screw terminals
Contact	standard
Protection type	IP 44



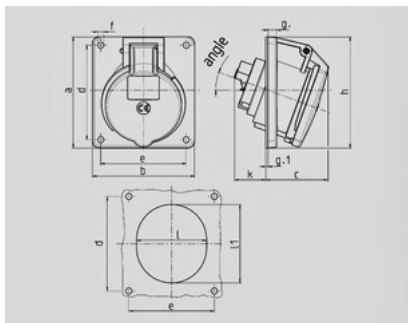
Drawing 1 MB 260 Dim. in mm	Amp. Poles	16			32		
		3	4	5	3	4	5
a		73.5	100	100	100	100	100
b		64	92	92	92	92	92
c		50	59	58	62	62	61
d		60	85	85	85	85	85
e		52	77	77	77	77	77
f		5.5	5.5	5.5	5.5	5.5	5.5
g		7	8	8	8	8	8
g-1		2	2	2	2	2	2
h		79	100	100	103	103	106
k		44	34	34	54	54	49
l		52	55	65	67	67	72
ll		60	63	72	82	82	85
α		20°	20°	20°	20°	20°	20°
Terminal for cond. cross section (mm ²) min.-max.		1.5	1.5	1.5	2.5	2.5	2.5
		-4	-4	-4	-10	-10	-10

Panel mounted receptacle - Part no. 1463



- screw terminals
- suitable for through wiring
- 20° inclination

Technical information	
Ampere	16 A
Poles	3 p
Voltage	230 V
Earth position	6 h
Hertz	50-60 Hz
Connection technology	Screw terminals
Contact	standard
Protection type	IP 44



Drawing 1 MB 260 Dim. in mm	Amp. Poles	16			32		
		3	4	5	3	4	5
a		73.5	100	100	100	100	100
b		64	92	92	92	92	92
c		50	59	58	62	62	61
d		60	85	85	85	85	85
e		52	77	77	77	77	77
f		5.5	5.5	5.5	5.5	5.5	5.5
g		7	8	8	8	8	8
g-1		2	2	2	2	2	2
h		79	100	100	103	103	106
k		44	34	34	54	54	49
l		52	55	65	67	67	72
ll		60	63	72	82	82	85
o		20°	20°	20°	20°	20°	20°
Terminal for cond. cross section (mm ²) min.-max.		1.5	1.5	1.5	2.5	2.5	2.5
		-4	-4	-4	-10	-10	-10

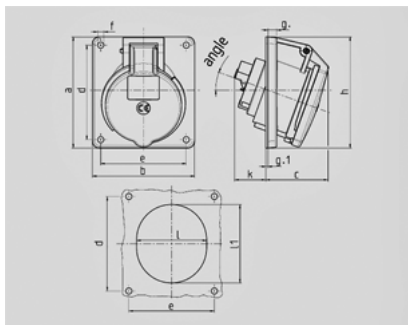
Panel mounted receptacle - Part no. 1464



- screw terminals
- suitable for through wiring
- 20° inclination

Technical information

Ampere	16 A
Poles	3 p
Voltage	400 V
Earth position	9 h
Hertz	50-60 Hz
Connection technology	Screw terminals
Contact	standard
Protection type	IP 44



Drawing 1 MB 260 Dim. in mm	Amp. Poles	16			32		
		3	4	5	3	4	5
a		73.5	100	100	100	100	100
b		64	92	92	92	92	92
c		50	59	58	62	62	61
d		60	85	85	85	85	85
e		52	77	77	77	77	77
f		5.5	5.5	5.5	5.5	5.5	5.5
g		7	8	8	8	8	8
g-1		2	2	2	2	2	2
h		79	100	100	103	103	106
k		44	34	34	54	54	49
l		52	55	65	67	67	72
ll		60	63	72	82	82	85
o		20°	20°	20°	20°	20°	20°
Terminal for cond. cross section (mm ²) min.-max.		1.5	1.5	1.5	2.5	2.5	2.5
		-4	-4	-4	-10	-10	-10

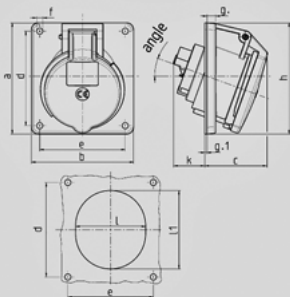
Panel mounted receptacle - Part no. 1465



- screw terminals
- suitable for through wiring
- 20° inclination

Technical information

Ampere	16 A
Poles	4 p
Voltage	110 V
Earth position	4 h
Hertz	50-60 Hz
Connection technology	Screw terminals
Contact	standard
Protection type	IP 44



Drawing 1 MB 260	Amp. Poles	16			32		
		3	4	5	3	4	5
Dim. in mm	a	73.5	100	100	100	100	100
	b	64	92	92	92	92	92
	c	50	59	58	62	62	61
	d	60	85	85	85	85	85
	e	52	77	77	77	77	77
	f	5.5	5.5	5.5	5.5	5.5	5.5
	g	7	8	8	8	8	8
	g-1	2	2	2	2	2	2
	h	79	100	100	103	103	106
	k	44	34	34	54	54	49
	l	52	55	65	67	67	72
	ll	60	63	72	82	82	85
	o	20°	20°	20°	20°	20°	20°
	Terminal for cond. cross section (mm ²) min.-max.	1.5	1.5	1.5	2.5	2.5	2.5
		-4	-4	-4	-10	-10	-10

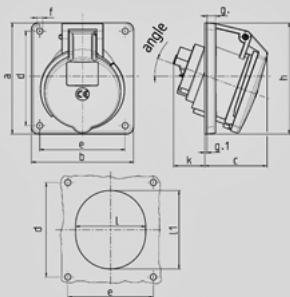
Panel mounted receptacle - Part no. 1466



- screw terminals
- suitable for through wiring
- 20° inclination

Technical information

Ampere	16 A
Poles	4 p
Voltage	230 V
Earth position	9 h
Hertz	50-60 Hz
Connection technology	Screw terminals
Contact	standard
Protection type	IP 44



Drawing 1 MB 260 Dim. in mm	Amp. Poles	16			32		
		3	4	5	3	4	5
a		73.5	100	100	100	100	100
b		64	92	92	92	92	92
c		50	59	58	62	62	61
d		60	85	85	85	85	85
e		52	77	77	77	77	77
f		5.5	5.5	5.5	5.5	5.5	5.5
g		7	8	8	8	8	8
g-1		2	2	2	2	2	2
h		79	100	100	103	103	106
k		44	34	34	54	54	49
l		52	55	65	67	67	72
ll		60	63	72	82	82	85
o		20°	20°	20°	20°	20°	20°
Terminal for cond. cross section (mm ²) min.-max.		1.5	1.5	1.5	2.5	2.5	2.5
		-4	-4	-4	-10	-10	-10

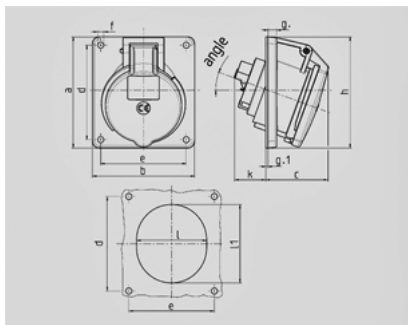
Panel mounted receptacle - Part no. 1467



- screw terminals
- suitable for through wiring
- 20° inclination

Technical information

Ampere	16 A
Poles	4 p
Voltage	400 V
Earth position	6 h
Hertz	50-60 Hz
Connection technology	Screw terminals
Contact	standard
Protection type	IP 44



Drawing 1 MB 260	Amp. Poles	16			32		
		3	4	5	3	4	5
Dim. in mm	a	73.5	100	100	100	100	100
	b	64	92	92	92	92	92
	c	50	59	58	62	62	61
	d	60	85	85	85	85	85
	e	52	77	77	77	77	77
	f	5.5	5.5	5.5	5.5	5.5	5.5
	g	7	8	8	8	8	8
	g-1	2	2	2	2	2	2
	h	79	100	100	103	103	106
	k	44	34	34	54	54	49
	l	52	55	65	67	67	72
	ll	60	63	72	82	82	85
	o	20°	20°	20°	20°	20°	20°
	Terminal for cond. cross section (mm ²) min.-max.	1.5	1.5	1.5	2.5	2.5	2.5
		-4	-4	-4	-10	-10	-10

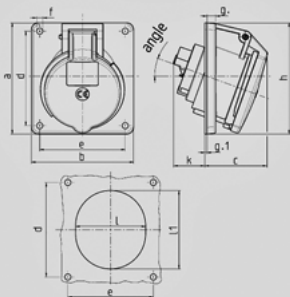
Panel mounted receptacle - Part no. 1468



- screw terminals
- suitable for through wiring
- 20° inclination

Technical information

Ampere	16 A
Poles	4 p
Voltage	500 V
Earth position	7 h
Hertz	50-60 Hz
Connection technology	Screw terminals
Contact	standard
Protection type	IP 44



Drawing 1 MB 260 Dim. in mm	Amp. Poles	16			32		
		3	4	5	3	4	5
a		73.5	100	100	100	100	100
b		64	92	92	92	92	92
c		50	59	58	62	62	61
d		60	85	85	85	85	85
e		52	77	77	77	77	77
f		5.5	5.5	5.5	5.5	5.5	5.5
g		7	8	8	8	8	8
g-1		2	2	2	2	2	2
h		79	100	100	103	103	106
k		44	34	34	54	54	49
l		52	55	65	67	67	72
ll		60	63	72	82	82	85
o		20°	20°	20°	20°	20°	20°
Terminal for cond. cross section (mm ²) min.-max.		1.5	1.5	1.5	2.5	2.5	2.5
		-4	-4	-4	-10	-10	-10

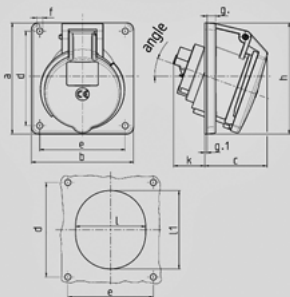
Panel mounted receptacle - Part no. 1469



- screw terminals
- suitable for through wiring
- 20° inclination

Technical information

Ampere	16 A
Poles	4 p
Voltage	>50-500 V
Earth position	10 h
Hertz	100-300 Hz
Connection technology	Screw terminals
Contact	standard
Protection type	IP 44



Drawing 1 MB 260	Amp. Poles	16			32		
		3	4	5	3	4	5
Dim. in mm	a	73.5	100	100	100	100	100
	b	64	92	92	92	92	92
	c	50	59	58	62	62	61
	d	60	85	85	85	85	85
	e	52	77	77	77	77	77
	f	5.5	5.5	5.5	5.5	5.5	5.5
	g	7	8	8	8	8	8
	g-1	2	2	2	2	2	2
	h	79	100	100	103	103	106
	k	44	34	34	54	54	49
	l	52	55	65	67	67	72
	ll	60	63	72	82	82	85
	α	20°	20°	20°	20°	20°	20°
	Terminal for cond. cross section (mm ²) min.-max.	1.5	1.5	1.5	2.5	2.5	2.5
		-4	-4	-4	-10	-10	-10

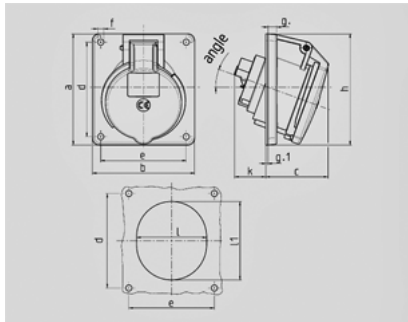
Panel mounted receptacle - Part no. 1470



- screw terminals
- suitable for through wiring
- 20° inclination

Technical information

Ampere	16 A
Poles	4 p
Voltage	>50-500 V
Earth position	2 h
Hertz	>300-500 Hz
Connection technology	Screw terminals
Contact	standard
Protection type	IP 44



Drawing 1 MB 260	Amp. Poles	16			32		
		3	4	5	3	4	5
Dim. in mm	a	73.5	100	100	100	100	100
	b	64	92	92	92	92	92
	c	50	59	58	62	62	61
	d	60	85	85	85	85	85
	e	52	77	77	77	77	77
	f	5.5	5.5	5.5	5.5	5.5	5.5
	g	7	8	8	8	8	8
	g-1	2	2	2	2	2	2
	h	79	100	100	103	103	106
	k	44	34	34	54	54	49
	l	52	55	65	67	67	72
	ll	60	63	72	82	82	85
	o	20°	20°	20°	20°	20°	20°
	Terminal for cond. cross section (mm ²) min.-max.	1.5	1.5	1.5	2.5	2.5	2.5
		-4	-4	-4	-10	-10	-10

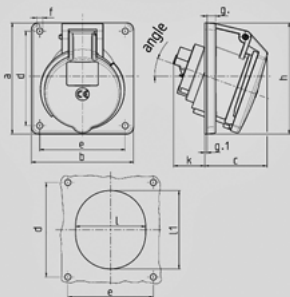
Panel mounted receptacle - Part no. 1471



- screw terminals
- suitable for through wiring
- 20° inclination

Technical information

Ampere	16 A
Poles	5 p
Voltage	110 V
Earth position	4 h
Hertz	50-60 Hz
Connection technology	Screw terminals
Contact	standard
Protection type	IP 44



Drawing 1 MB 260	Amp. Poles	16			32		
		3	4	5	3	4	5
Dim. in mm	a	73.5	100	100	100	100	100
	b	64	92	92	92	92	92
	c	50	59	58	62	62	61
	d	60	85	85	85	85	85
	e	52	77	77	77	77	77
	f	5.5	5.5	5.5	5.5	5.5	5.5
	g	7	8	8	8	8	8
	g-1	2	2	2	2	2	2
	h	79	100	100	103	103	106
	k	44	34	34	54	54	49
	l	52	55	65	67	67	72
	ll	60	63	72	82	82	85
	α	20°	20°	20°	20°	20°	20°
	Terminal for cond. cross section (mm ²) min.-max.	1.5	1.5	1.5	2.5	2.5	2.5
		-4	-4	-4	-10	-10	-10

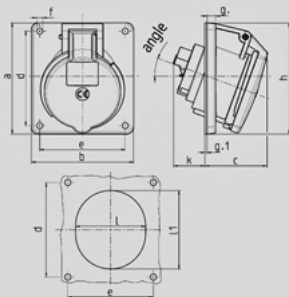
Panel mounted receptacle - Part no. 1472



- screw terminals
- suitable for through wiring
- 20° inclination

Technical information

Ampere	16 A
Poles	5 p
Voltage	230 V
Earth position	9 h
Hertz	50-60 Hz
Connection technology	Screw terminals
Contact	standard
Protection type	IP 44



Drawing 1 MB 260	Amp. Poles	16			32		
		3	4	5	3	4	5
Dim. in mm	a	73.5	100	100	100	100	100
	b	64	92	92	92	92	92
	c	50	59	58	62	62	61
	d	60	85	85	85	85	85
	e	52	77	77	77	77	77
	f	5.5	5.5	5.5	5.5	5.5	5.5
	g	7	8	8	8	8	8
	g-1	2	2	2	2	2	2
	h	79	100	100	103	103	106
	k	44	34	34	54	54	49
	l	52	55	65	67	67	72
	ll	60	63	72	82	82	85
	α	20°	20°	20°	20°	20°	20°
	Terminal for cond. cross section (mm ²) min.-max.	1.5	1.5	1.5	2.5	2.5	2.5
		-4	-4	-4	-10	-10	-10

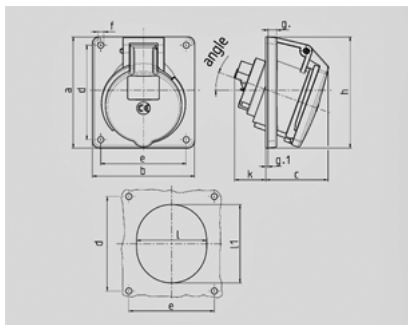
Panel mounted receptacle - Part no. 1473



- screw terminals
- suitable for through wiring
- 20° inclination

Technical information

Ampere	16 A
Poles	5 p
Voltage	400 V
Earth position	6 h
Hertz	50-60 Hz
Connection technology	Screw terminals
Contact	standard
Protection type	IP 44



Drawing 1 MB 260	Amp. Poles	16			32		
		3	4	5	3	4	5
Dim. in mm	a	73.5	100	100	100	100	100
	b	64	92	92	92	92	92
	c	50	59	58	62	62	61
	d	60	85	85	85	85	85
	e	52	77	77	77	77	77
	f	5.5	5.5	5.5	5.5	5.5	5.5
	g	7	8	8	8	8	8
	g-1	2	2	2	2	2	2
	h	79	100	100	103	103	106
	k	44	34	34	54	54	49
	l	52	55	65	67	67	72
	ll	60	63	72	82	82	85
	α	20°	20°	20°	20°	20°	20°
	Terminal for cond. cross section (mm ²) min.-max.	1.5	1.5	1.5	2.5	2.5	2.5
		-4	-4	-4	-10	-10	-10

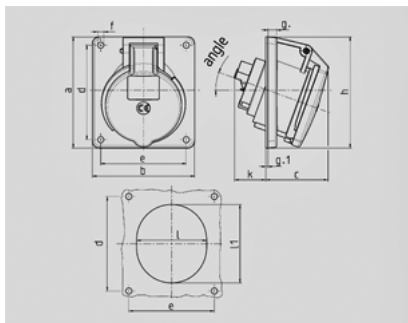
Panel mounted receptacle - Part no. 1486



- screw terminals
- suitable for through wiring
- 20° inclination
- receptacles optional fitted with auxiliary contact

Technical information

Ampere	32 A
Poles	4 p
Voltage	>50-500 V
Earth position	10 h
Hertz	100-300 Hz
Connection technology	Screw terminals
Contact	standard
Protection type	IP 44



Drawing 1 MB 260	Amp. Poles	16			32		
		3	4	5	3	4	5
Dim. in mm	a	73.5	100	100	100	100	100
	b	64	92	92	92	92	92
	c	50	59	58	62	62	61
	d	60	85	85	85	85	85
	e	52	77	77	77	77	77
	f	5.5	5.5	5.5	5.5	5.5	5.5
	g	7	8	8	8	8	8
	g-1	2	2	2	2	2	2
	h	79	100	100	103	103	106
	k	44	34	34	54	54	49
	l	52	55	65	67	67	72
	ll	60	63	72	82	82	85
	o	20°	20°	20°	20°	20°	20°
Terminal for cond. cross section (mm ²) min.-max.		1.5	1.5	1.5	2.5	2.5	2.5
		-4	-4	-4	-10	-10	-10

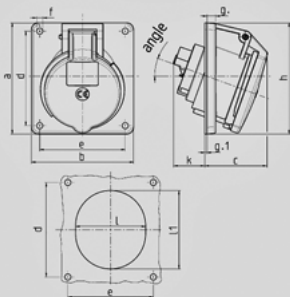
Panel mounted receptacle - Part no. 1487



- screw terminals
- suitable for through wiring
- 20° inclination
- receptacles optional fitted with auxiliary contact

Technical information

Ampere	32 A
Poles	4 p
Voltage	>50-500 V
Earth position	2 h
Hertz	>300-500 Hz
Connection technology	Screw terminals
Contact	standard
Protection type	IP 44



Drawing 1 MB 260	Amp. Poles	16			32		
		3	4	5	3	4	5
Dim. in mm	a	73.5	100	100	100	100	100
	b	64	92	92	92	92	92
	c	50	59	58	62	62	61
	d	60	85	85	85	85	85
	e	52	77	77	77	77	77
	f	5.5	5.5	5.5	5.5	5.5	5.5
	g	7	8	8	8	8	8
	g-1	2	2	2	2	2	2
	h	79	100	100	103	103	106
	k	44	34	34	54	54	49
	l	52	55	65	67	67	72
	ll	60	63	72	82	82	85
	o	20°	20°	20°	20°	20°	20°
	Terminal for cond. cross section (mm ²) min.-max.	1.5	1.5	1.5	2.5	2.5	2.5
		-4	-4	-4	-10	-10	-10

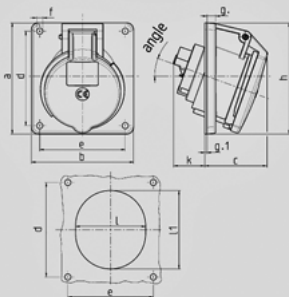
Panel mounted receptacle - Part no. 1491



- screw terminals
- suitable for through wiring
- 20° inclination
- receptacles optional fitted with auxiliary contact

Technical information

Ampere	32 A
Poles	3 p
Voltage	110 V
Earth position	4 h
Hertz	50-60 Hz
Connection technology	Screw terminals
Contact	standard
Protection type	IP 44



Drawing 1 MB 260 Dim. in mm	Amp. Poles	16			32		
		3	4	5	3	4	5
a		73.5	100	100	100	100	100
b		64	92	92	92	92	92
c		50	59	58	62	62	61
d		60	85	85	85	85	85
e		52	77	77	77	77	77
f		5.5	5.5	5.5	5.5	5.5	5.5
g		7	8	8	8	8	8
g-1		2	2	2	2	2	2
h		79	100	100	103	103	106
k		44	34	34	54	54	49
l		52	55	65	67	67	72
ll		60	63	72	82	82	85
α		20°	20°	20°	20°	20°	20°
Terminal for cond. cross section (mm ²) min.-max.		1.5	1.5	1.5	2.5	2.5	2.5
		-4	-4	-4	-10	-10	-10

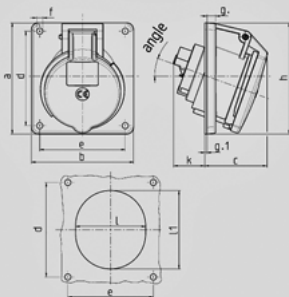
Panel mounted receptacle - Part no. 1492



- screw terminals
- suitable for through wiring
- 20° inclination
- receptacles optional fitted with auxiliary contact

Technical information

Ampere	32 A
Poles	3 p
Voltage	230 V
Earth position	6 h
Hertz	50-60 Hz
Connection technology	Screw terminals
Contact	standard
Protection type	IP 44



Drawing 1 MB 260 Dim. in mm	Amp. Poles	16			32		
		3	4	5	3	4	5
a		73.5	100	100	100	100	100
b		64	92	92	92	92	92
c		50	59	58	62	62	61
d		60	85	85	85	85	85
e		52	77	77	77	77	77
f		5.5	5.5	5.5	5.5	5.5	5.5
g		7	8	8	8	8	8
g-1		2	2	2	2	2	2
h		79	100	100	103	103	106
k		44	34	34	54	54	49
l		52	55	65	67	67	72
ll		60	63	72	82	82	85
o		20°	20°	20°	20°	20°	20°
Terminal for cond. cross section (mm ²) min.-max.		1.5	1.5	1.5	2.5	2.5	2.5
		-4	-4	-4	-10	-10	-10

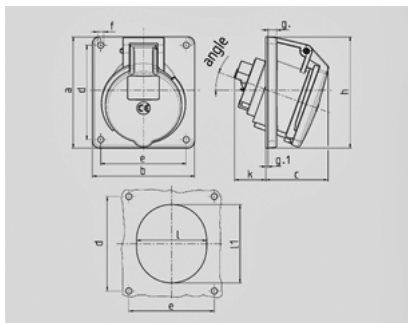
Panel mounted receptacle - Part no. 1493



- screw terminals
- suitable for through wiring
- 20° inclination
- receptacles optional fitted with auxiliary contact

Technical information

Ampere	32 A
Poles	3 p
Voltage	400 V
Earth position	9 h
Hertz	50-60 Hz
Connection technology	Screw terminals
Contact	standard
Protection type	IP 44



Drawing 1 MB 260 Dim. in mm	Amp. Poles	16			32		
		3	4	5	3	4	5
a		73.5	100	100	100	100	100
b		64	92	92	92	92	92
c		50	59	58	62	62	61
d		60	85	85	85	85	85
e		52	77	77	77	77	77
f		5.5	5.5	5.5	5.5	5.5	5.5
g		7	8	8	8	8	8
g-1		2	2	2	2	2	2
h		79	100	100	103	103	106
k		44	34	34	54	54	49
l		52	55	65	67	67	72
ll		60	63	72	82	82	85
α		20°	20°	20°	20°	20°	20°
Terminal for cond. cross section (mm ²) min.-max.		1.5	1.5	1.5	2.5	2.5	2.5
		-4	-4	-4	-10	-10	-10

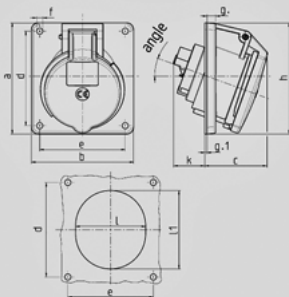
Panel mounted receptacle - Part no. 1494



- screw terminals
- suitable for through wiring
- 20° inclination
- receptacles optional fitted with auxiliary contact

Technical information

Ampere	32 A
Poles	4 p
Voltage	110 V
Earth position	4 h
Hertz	50-60 Hz
Connection technology	Screw terminals
Contact	standard
Protection type	IP 44



Drawing 1 MB 260 Dim. in mm	Amp. Poles	16			32		
		3	4	5	3	4	5
a		73.5	100	100	100	100	100
b		64	92	92	92	92	92
c		50	59	58	62	62	61
d		60	85	85	85	85	85
e		52	77	77	77	77	77
f		5.5	5.5	5.5	5.5	5.5	5.5
g		7	8	8	8	8	8
g-1		2	2	2	2	2	2
h		79	100	100	103	103	106
k		44	34	34	54	54	49
l		52	55	65	67	67	72
ll		60	63	72	82	82	85
o		20°	20°	20°	20°	20°	20°
Terminal for cond. cross section (mm ²) min.-max.		1.5	1.5	1.5	2.5	2.5	2.5
		-4	-4	-4	-10	-10	-10

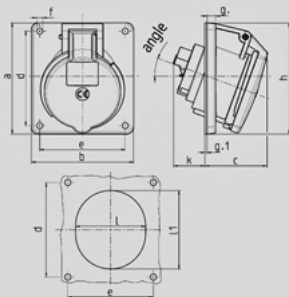
Panel mounted receptacle - Part no. 1495



- screw terminals
- suitable for through wiring
- 20° inclination
- receptacles optional fitted with auxiliary contact

Technical information

Ampere	32 A
Poles	4 p
Voltage	230 V
Earth position	9 h
Hertz	50-60 Hz
Connection technology	Screw terminals
Contact	standard
Protection type	IP 44



Drawing 1 MB 260 Dim. in mm	Amp. Poles	16			32		
		3	4	5	3	4	5
a		73.5	100	100	100	100	100
b		64	92	92	92	92	92
c		50	59	58	62	62	61
d		60	85	85	85	85	85
e		52	77	77	77	77	77
f		5.5	5.5	5.5	5.5	5.5	5.5
g		7	8	8	8	8	8
g-1		2	2	2	2	2	2
h		79	100	100	103	103	106
k		44	34	34	54	54	49
l		52	55	65	67	67	72
ll		60	63	72	82	82	85
α		20°	20°	20°	20°	20°	20°
Terminal for cond. cross section (mm ²) min.-max.		1.5	1.5	1.5	2.5	2.5	2.5
		-4	-4	-4	-10	-10	-10

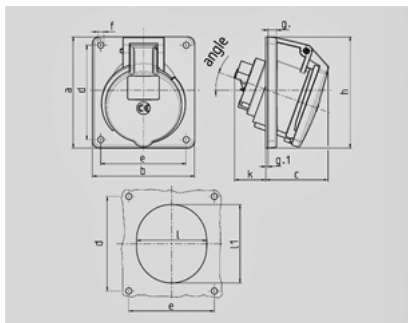
Panel mounted receptacle - Part no. 1496



- screw terminals
- suitable for through wiring
- 20° inclination
- receptacles optional fitted with auxiliary contact

Technical information

Ampere	32 A
Poles	4 p
Voltage	400 V
Earth position	6 h
Hertz	50-60 Hz
Connection technology	Screw terminals
Contact	standard
Protection type	IP 44



Drawing 1 MB 260	Amp. Poles	16			32		
		3	4	5	3	4	5
Dim. in mm	a	73.5	100	100	100	100	100
	b	64	92	92	92	92	92
	c	50	59	58	62	62	61
	d	60	85	85	85	85	85
	e	52	77	77	77	77	77
	f	5.5	5.5	5.5	5.5	5.5	5.5
	g	7	8	8	8	8	8
	g-1	2	2	2	2	2	2
	h	79	100	100	103	103	106
	k	44	34	34	54	54	49
	l	52	55	65	67	67	72
	ll	60	63	72	82	82	85
	α	20°	20°	20°	20°	20°	20°
	Terminal for cond. cross section (mm ²) min.-max.	1.5	1.5	1.5	2.5	2.5	2.5
		-4	-4	-4	-10	-10	-10

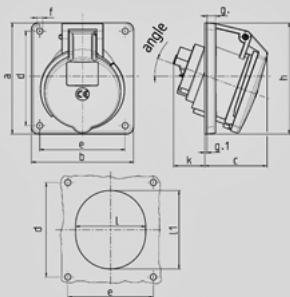
Panel mounted receptacle - Part no. 1497



- screw terminals
- suitable for through wiring
- 20° inclination
- receptacles optional fitted with auxiliary contact

Technical information

Ampere	32 A
Poles	4 p
Voltage	500 V
Earth position	7 h
Hertz	50-60 Hz
Connection technology	Screw terminals
Contact	standard
Protection type	IP 44



Drawing 1 MB 260 Dim. in mm	Amp. Poles	16			32		
		3	4	5	3	4	5
a		73.5	100	100	100	100	100
b		64	92	92	92	92	92
c		50	59	58	62	62	61
d		60	85	85	85	85	85
e		52	77	77	77	77	77
f		5.5	5.5	5.5	5.5	5.5	5.5
g		7	8	8	8	8	8
g-1		2	2	2	2	2	2
h		79	100	100	103	103	106
k		44	34	34	54	54	49
l		52	55	65	67	67	72
ll		60	63	72	82	82	85
o		20°	20°	20°	20°	20°	20°
Terminal for cond. cross section (mm ²) min.-max.		1.5	1.5	1.5	2.5	2.5	2.5
		-4	-4	-4	-10	-10	-10

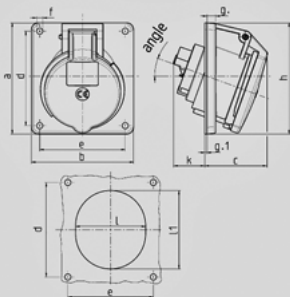
Panel mounted receptacle - Part no. 1498



- screw terminals
- suitable for through wiring
- 20° inclination
- receptacles optional fitted with auxiliary contact

Technical information

Ampere	32 A
Poles	5 p
Voltage	110 V
Earth position	4 h
Hertz	50-60 Hz
Connection technology	Screw terminals
Contact	standard
Protection type	IP 44



Drawing 1 MB 260 Dim. in mm	Amp. Poles	16			32		
		3	4	5	3	4	5
a		73.5	100	100	100	100	100
b		64	92	92	92	92	92
c		50	59	58	62	62	61
d		60	85	85	85	85	85
e		52	77	77	77	77	77
f		5.5	5.5	5.5	5.5	5.5	5.5
g		7	8	8	8	8	8
g-1		2	2	2	2	2	2
h		79	100	100	103	103	106
k		44	34	34	54	54	49
l		52	55	65	67	67	72
ll		60	63	72	82	82	85
o		20°	20°	20°	20°	20°	20°
Terminal for cond. cross section (mm ²) min.-max.		1.5	1.5	1.5	2.5	2.5	2.5
		-4	-4	-4	-10	-10	-10

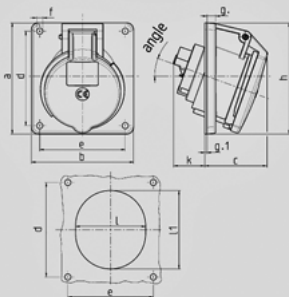
Panel mounted receptacle - Part no. 1499



- screw terminals
- suitable for through wiring
- 20° inclination
- receptacles optional fitted with auxiliary contact

Technical information

Ampere	32 A
Poles	5 p
Voltage	230 V
Earth position	9 h
Hertz	50-60 Hz
Connection technology	Screw terminals
Contact	standard
Protection type	IP 44



Drawing 1 MB 260 Dim. in mm	Amp. Poles	16			32		
		3	4	5	3	4	5
a		73.5	100	100	100	100	100
b		64	92	92	92	92	92
c		50	59	58	62	62	61
d		60	85	85	85	85	85
e		52	77	77	77	77	77
f		5.5	5.5	5.5	5.5	5.5	5.5
g		7	8	8	8	8	8
g-1		2	2	2	2	2	2
h		79	100	100	103	103	106
k		44	34	34	54	54	49
l		52	55	65	67	67	72
ll		60	63	72	82	82	85
α		20°	20°	20°	20°	20°	20°
Terminal for cond. cross section (mm ²) min.-max.		1.5	1.5	1.5	2.5	2.5	2.5
		-4	-4	-4	-10	-10	-10

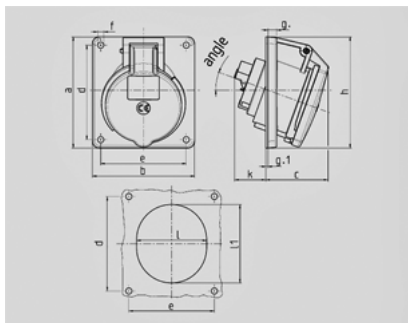
Panel mounted receptacle - Part no. 1500



- screw terminals
- suitable for through wiring
- 20° inclination
- receptacles optional fitted with auxiliary contact

Technical information

Ampere	32 A
Poles	5 p
Voltage	400 V
Earth position	6 h
Hertz	50-60 Hz
Connection technology	Screw terminals
Contact	standard
Protection type	IP 44



Drawing 1 MB 260	Amp. Poles	16			32		
		3	4	5	3	4	5
Dim. in mm	a	73.5	100	100	100	100	100
	b	64	92	92	92	92	92
	c	50	59	58	62	62	61
	d	60	85	85	85	85	85
	e	52	77	77	77	77	77
	f	5.5	5.5	5.5	5.5	5.5	5.5
	g	7	8	8	8	8	8
	g-1	2	2	2	2	2	2
	h	79	100	100	103	103	106
	k	44	34	34	54	54	49
	l	52	55	65	67	67	72
	ll	60	63	72	82	82	85
	o	20°	20°	20°	20°	20°	20°
	Terminal for cond. cross section (mm ²) min.-max.	1.5	1.5	1.5	2.5	2.5	2.5
		-4	-4	-4	-10	-10	-10

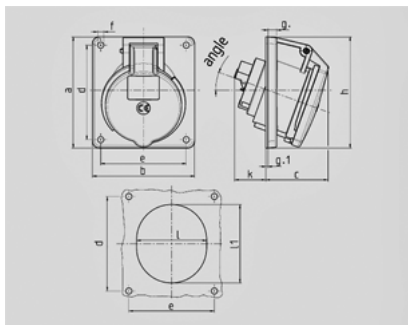
Panel mounted receptacle - Part no. 3186



- screw terminals
- suitable for through wiring
- 20° inclination

Technical information

Ampere	16 A
Poles	3 p
Voltage	>50-500 V
Earth position	10 h
Hertz	100-300 Hz
Connection technology	Screw terminals
Contact	standard
Protection type	IP 44



Drawing 1 MB 260	Amp. Poles	16			32		
		3	4	5	3	4	5
Dim. in mm	a	73.5	100	100	100	100	100
	b	64	92	92	92	92	92
	c	50	59	58	62	62	61
	d	60	85	85	85	85	85
	e	52	77	77	77	77	77
	f	5.5	5.5	5.5	5.5	5.5	5.5
	g	7	8	8	8	8	8
	g-1	2	2	2	2	2	2
	h	79	100	100	103	103	106
	k	44	34	34	54	54	49
	l	52	55	65	67	67	72
	ll	60	63	72	82	82	85
	o	20°	20°	20°	20°	20°	20°
	Terminal for cond. cross section (mm ²) min.-max.	1.5	1.5	1.5	2.5	2.5	2.5
		-4	-4	-4	-10	-10	-10

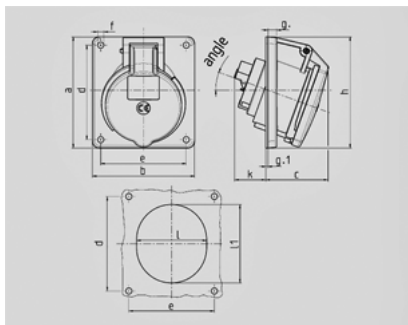
Panel mounted receptacle - Part no. 3187



- screw terminals
- suitable for through wiring
- 20° inclination

Technical information

Ampere	16 A
Poles	3 p
Voltage	>50-500 V
Earth position	2 h
Hertz	>300-500 Hz
Connection technology	Screw terminals
Contact	standard
Protection type	IP 44



Drawing 1 MB 260	Amp. Poles	16			32		
		3	4	5	3	4	5
Dim. in mm	a	73.5	100	100	100	100	100
	b	64	92	92	92	92	92
	c	50	59	58	62	62	61
	d	60	85	85	85	85	85
	e	52	77	77	77	77	77
	f	5.5	5.5	5.5	5.5	5.5	5.5
	g	7	8	8	8	8	8
	g-1	2	2	2	2	2	2
	h	79	100	100	103	103	106
	k	44	34	34	54	54	49
	l	52	55	65	67	67	72
	ll	60	63	72	82	82	85
	o	20°	20°	20°	20°	20°	20°
	Terminal for cond. cross section (mm ²) min.-max.	1.5	1.5	1.5	2.5	2.5	2.5
		-4	-4	-4	-10	-10	-10

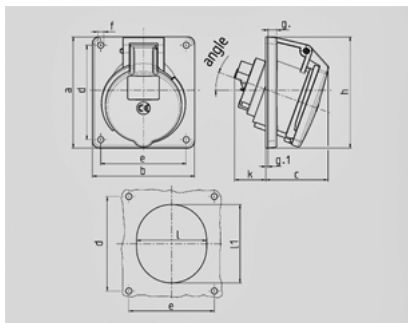
Panel mounted receptacle - Part no. 3188



- screw terminals
- suitable for through wiring
- 20° inclination

Technical information

Ampere	16 A
Poles	5 p
Voltage	500 V
Earth position	7 h
Hertz	50-60 Hz
Connection technology	Screw terminals
Contact	standard
Protection type	IP 44



Drawing 1 MB 260 Dim. in mm	Amp. Poles	16			32		
		3	4	5	3	4	5
a		73.5	100	100	100	100	100
b		64	92	92	92	92	92
c		50	59	58	62	62	61
d		60	85	85	85	85	85
e		52	77	77	77	77	77
f		5.5	5.5	5.5	5.5	5.5	5.5
g		7	8	8	8	8	8
g-1		2	2	2	2	2	2
h		79	100	100	103	103	106
k		44	34	34	54	54	49
l		52	55	65	67	67	72
ll		60	63	72	82	82	85
o		20°	20°	20°	20°	20°	20°
Terminal for cond. cross section (mm ²) min.-max.		1.5	1.5	1.5	2.5	2.5	2.5
		-4	-4	-4	-10	-10	-10

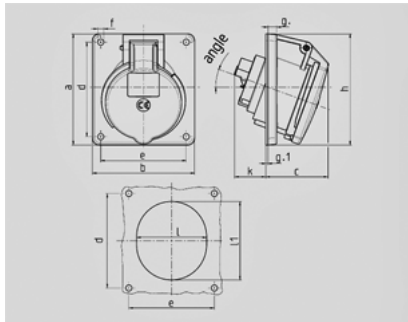
Panel mounted receptacle - Part no. 3189



- screw terminals
- suitable for through wiring
- 20° inclination

Technical information

Ampere	16 A
Poles	5 p
Voltage	>50-500 V
Earth position	10 h
Hertz	100-300 Hz
Connection technology	Screw terminals
Contact	standard
Protection type	IP 44



Drawing 1 MB 260	Amp. Poles	16			32		
		3	4	5	3	4	5
Dim. in mm	a	73.5	100	100	100	100	100
	b	64	92	92	92	92	92
	c	50	59	58	62	62	61
	d	60	85	85	85	85	85
	e	52	77	77	77	77	77
	f	5.5	5.5	5.5	5.5	5.5	5.5
	g	7	8	8	8	8	8
	g-1	2	2	2	2	2	2
	h	79	100	100	103	103	106
	k	44	34	34	54	54	49
	l	52	55	65	67	67	72
	ll	60	63	72	82	82	85
	o	20°	20°	20°	20°	20°	20°
	Terminal for cond. cross section (mm ²) min.-max.	1.5	1.5	1.5	2.5	2.5	2.5
		-4	-4	-4	-10	-10	-10

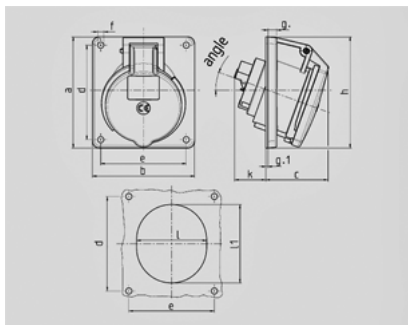
Panel mounted receptacle - Part no. 3190



- screw terminals
- suitable for through wiring
- 20° inclination

Technical information

Ampere	16 A
Poles	5 p
Voltage	>50-500 V
Earth position	2 h
Hertz	>300-500 Hz
Connection technology	Screw terminals
Contact	standard
Protection type	IP 44



Drawing 1 MB 260	Amp. Poles	16			32		
		3	4	5	3	4	5
Dim. in mm	a	73.5	100	100	100	100	100
	b	64	92	92	92	92	92
	c	50	59	58	62	62	61
	d	60	85	85	85	85	85
	e	52	77	77	77	77	77
	f	5.5	5.5	5.5	5.5	5.5	5.5
	g	7	8	8	8	8	8
	g-1	2	2	2	2	2	2
	h	79	100	100	103	103	106
	k	44	34	34	54	54	49
	l	52	55	65	67	67	72
	ll	60	63	72	82	82	85
	o	20°	20°	20°	20°	20°	20°
	Terminal for cond. cross section (mm ²) min.-max.	1.5	1.5	1.5	2.5	2.5	2.5
		-4	-4	-4	-10	-10	-10

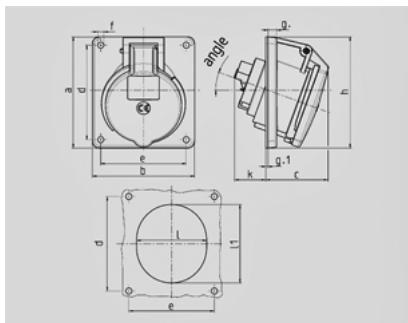
Panel mounted receptacle - Part no. 3191



- screw terminals
- suitable for through wiring
- 20° inclination
- receptacles optional fitted with auxiliary contact

Technical information

Ampere	32 A
Poles	5 p
Voltage	500 V
Earth position	7 h
Hertz	50-60 Hz
Connection technology	Screw terminals
Contact	standard
Protection type	IP 44



Drawing 1 MB 260 Dim. in mm	Amp. Poles	16			32		
		3	4	5	3	4	5
a		73.5	100	100	100	100	100
b		64	92	92	92	92	92
c		50	59	58	62	62	61
d		60	85	85	85	85	85
e		52	77	77	77	77	77
f		5.5	5.5	5.5	5.5	5.5	5.5
g		7	8	8	8	8	8
g-1		2	2	2	2	2	2
h		79	100	100	103	103	106
k		44	34	34	54	54	49
l		52	55	65	67	67	72
ll		60	63	72	82	82	85
α		20°	20°	20°	20°	20°	20°
Terminal for cond. cross section (mm ²) min.-max.		1.5	1.5	1.5	2.5	2.5	2.5
		-4	-4	-4	-10	-10	-10

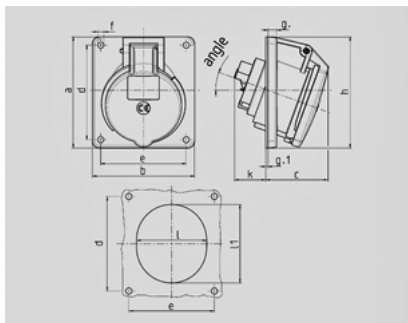
Panel mounted receptacle - Part no. 3192



- screw terminals
- suitable for through wiring
- 20° inclination
- receptacles optional fitted with auxiliary contact

Technical information

Ampere	32 A
Poles	5 p
Voltage	>50-500 V
Earth position	10 h
Hertz	100-300 Hz
Connection technology	Screw terminals
Contact	standard
Protection type	IP 44



Drawing 1 MB 260	Amp. Poles	16			32		
		3	4	5	3	4	5
Dim. in mm	a	73.5	100	100	100	100	100
	b	64	92	92	92	92	92
	c	50	59	58	62	62	61
	d	60	85	85	85	85	85
	e	52	77	77	77	77	77
	f	5.5	5.5	5.5	5.5	5.5	5.5
	g	7	8	8	8	8	8
	g-1	2	2	2	2	2	2
	h	79	100	100	103	103	106
	k	44	34	34	54	54	49
	l	52	55	65	67	67	72
	ll	60	63	72	82	82	85
	o	20°	20°	20°	20°	20°	20°
	Terminal for cond. cross section (mm ²) min.-max.	1.5	1.5	1.5	2.5	2.5	2.5
		-4	-4	-4	-10	-10	-10

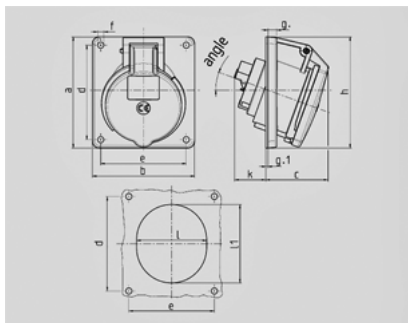
Panel mounted receptacle - Part no. 3193



- screw terminals
- suitable for through wiring
- 20° inclination
- receptacles optional fitted with auxiliary contact

Technical information

Ampere	32 A
Poles	5 p
Voltage	>50-500 V
Earth position	2 h
Hertz	>300-500 Hz
Connection technology	Screw terminals
Contact	standard
Protection type	IP 44



Drawing 1 MB 260 Dim. in mm	Amp. Poles	16			32		
		3	4	5	3	4	5
a		73.5	100	100	100	100	100
b		64	92	92	92	92	92
c		50	59	58	62	62	61
d		60	85	85	85	85	85
e		52	77	77	77	77	77
f		5.5	5.5	5.5	5.5	5.5	5.5
g		7	8	8	8	8	8
g-1		2	2	2	2	2	2
h		79	100	100	103	103	106
k		44	34	34	54	54	49
l		52	55	65	67	67	72
ll		60	63	72	82	82	85
o		20°	20°	20°	20°	20°	20°
Terminal for cond. cross section (mm ²) min.-max.		1.5	1.5	1.5	2.5	2.5	2.5
		-4	-4	-4	-10	-10	-10

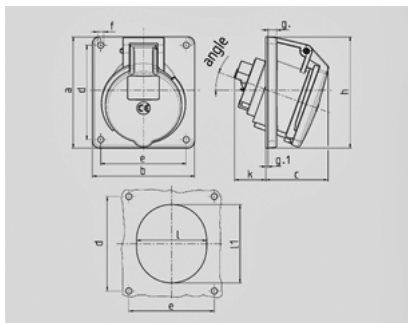
Panel mounted receptacle - Part no. 3201



- screw terminals
- suitable for through wiring
- 20° inclination
- receptacles optional fitted with auxiliary contact

Technical information

Ampere	32 A
Poles	3 p
Voltage	>50-500 V
Earth position	10 h
Hertz	100-300 Hz
Connection technology	Screw terminals
Contact	standard
Protection type	IP 44



Drawing 1 MB 260	Amp. Poles	16			32		
		3	4	5	3	4	5
Dim. in mm	a	73.5	100	100	100	100	100
	b	64	92	92	92	92	92
	c	50	59	58	62	62	61
	d	60	85	85	85	85	85
	e	52	77	77	77	77	77
	f	5.5	5.5	5.5	5.5	5.5	5.5
	g	7	8	8	8	8	8
	g-1	2	2	2	2	2	2
	h	79	100	100	103	103	106
	k	44	34	34	54	54	49
	l	52	55	65	67	67	72
	ll	60	63	72	82	82	85
	α	20°	20°	20°	20°	20°	20°
	Terminal for cond. cross section (mm ²) min.-max.	1.5	1.5	1.5	2.5	2.5	2.5
		-4	-4	-4	-10	-10	-10

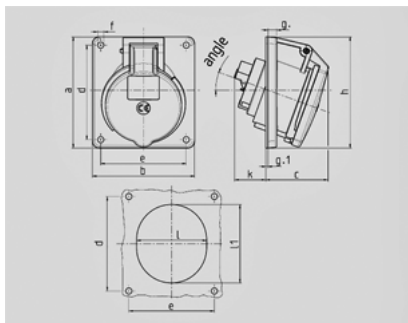
Panel mounted receptacle - Part no. 3202



- screw terminals
- suitable for through wiring
- 20° inclination
- receptacles optional fitted with auxiliary contact

Technical information

Ampere	32 A
Poles	3 p
Voltage	>50-500 V
Earth position	2 h
Hertz	>300-500 Hz
Connection technology	Screw terminals
Contact	standard
Protection type	IP 44



Drawing 1 MB 260	Amp. Poles	16			32		
		3	4	5	3	4	5
Dim. in mm	a	73.5	100	100	100	100	100
	b	64	92	92	92	92	92
	c	50	59	58	62	62	61
	d	60	85	85	85	85	85
	e	52	77	77	77	77	77
	f	5.5	5.5	5.5	5.5	5.5	5.5
	g	7	8	8	8	8	8
	g-1	2	2	2	2	2	2
	h	79	100	100	103	103	106
	k	44	34	34	54	54	49
	l	52	55	65	67	67	72
	ll	60	63	72	82	82	85
	o	20°	20°	20°	20°	20°	20°
	Terminal for cond. cross section (mm ²) min.-max.	1.5	1.5	1.5	2.5	2.5	2.5
		-4	-4	-4	-10	-10	-10