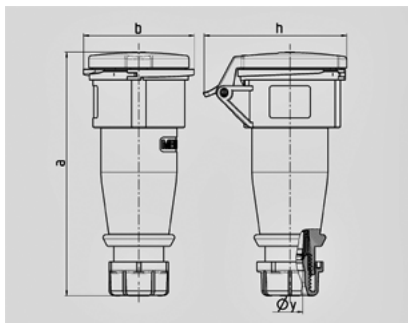


## Connector AM-TOP® - Part no. 2493



- screw terminals
- single part body
- cable gland and sealing
- strain relief and protection against kinking

Technical information	
Ampere	32 A
Poles	5 p
Voltage	>50-500 V
Earth position	2 h
Hertz	>300-500 Hz
Connection technology	Screw terminals
Contact	standard
Protection type	IP 44



Drawing 3 MB 63	Amp. Poles	16			32		
		3	4	5	3	4	5
Dim. in mm	a	162	165	167	209	209	208
	b	60	68	76	82	82	89
	h	83	92	98	100	100	108
	y	14,5	16	16	22	22	22
Terminal for cond. cross		1	1	1	2,5	2,5	2,5
section (mm²) min.-max.		—2,5	—2,5	—2,5	—6	—6	—6

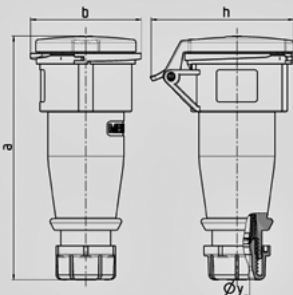
## Connector AM-TOP® - Part no. 529



- screw terminals
- single part body
- cable gland and sealing
- strain relief and protection against kinking

### Technical information

Ampere	32 A
Poles	4 p
Voltage	>50-500 V
Earth position	2 h
Hertz	>300-500 Hz
Connection technology	Screw terminals
Contact	standard
Protection type	IP 44



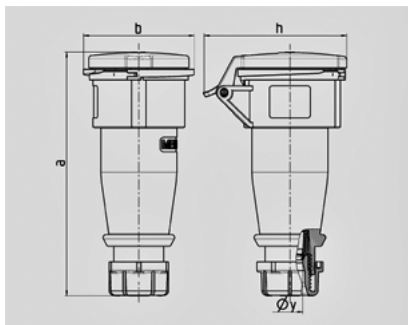
Drawing 3 MB 63	Amp. Poles	16			32		
		3	4	5	3	4	5
Dim. in mm	a	162	165	167	209	209	208
	b	60	68	76	82	82	89
	h	83	92	98	100	100	108
	y	14,5	16	16	22	22	22
Terminal for cond. cross		1	1	1	2,5	2,5	2,5
section (mm²) min.-max.		—2,5	—2,5	—2,5	—6	—6	—6

## Connector AM-TOP® - Part no. 2674



- screw terminals
- single part body
- cable gland and sealing
- strain relief and protection against kinking

Technical information	
Ampere	32 A
Poles	3 p
Voltage	>50-500 V
Earth position	2 h
Hertz	>300-500 Hz
Connection technology	Screw terminals
Contact	standard
Protection type	IP 44



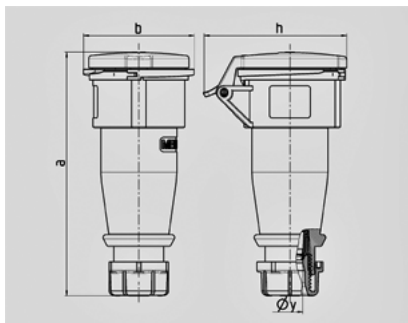
Drawing 3 MB 63	Amp. Poles	16			32		
		3	4	5	3	4	5
Dim. in mm	a	162	165	167	209	209	208
	b	60	68	76	82	82	89
	h	83	92	98	100	100	108
	y	14,5	16	16	22	22	22
Terminal for cond. cross		1	1	1	2,5	2,5	2,5
section (mm²) min.-max.		—2,5	—2,5	—2,5	—6	—6	—6

## Connector AM-TOP® - Part no. 2495



- screw terminals
- single part body
- cable gland and sealing
- strain relief and protection against kinking

Technical information	
Ampere	16 A
Poles	5 p
Voltage	>50-500 V
Earth position	2 h
Hertz	>300-500 Hz
Connection technology	Screw terminals
Contact	standard
Protection type	IP 44



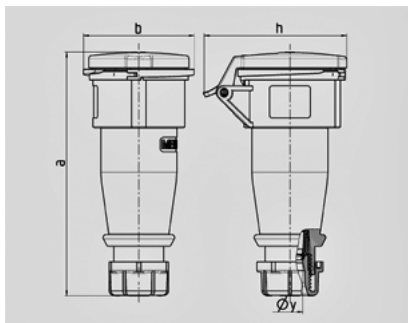
Drawing 3 MB 63	Amp. Poles	16			32		
		3	4	5	3	4	5
Dim. in mm	a	162	165	167	209	209	208
	b	60	68	76	82	82	89
	h	83	92	98	100	100	108
	y	14,5	16	16	22	22	22
Terminal for cond. cross		1	1	1	2,5	2,5	2,5
section (mm²) min.-max.		—2,5	—2,5	—2,5	—6	—6	—6

## Connector AM-TOP® - Part no. 517



- screw terminals
- single part body
- cable gland and sealing
- strain relief and protection against kinking

Technical information	
Ampere	16 A
Poles	4 p
Voltage	>50-500 V
Earth position	2 h
Hertz	>300-500 Hz
Connection technology	Screw terminals
Contact	standard
Protection type	IP 44



Drawing 3 MB 63	Amp. Poles	16			32		
		3	4	5	3	4	5
Dim. in mm	a	162	165	167	209	209	208
	b	60	68	76	82	82	89
	h	83	92	98	100	100	108
	y	14,5	16	16	22	22	22
Terminal for cond. cross		1	1	1	2,5	2,5	2,5
section (mm <sup>2</sup> ) min.-max.		—2,5	—2,5	—2,5	—6	—6	—6

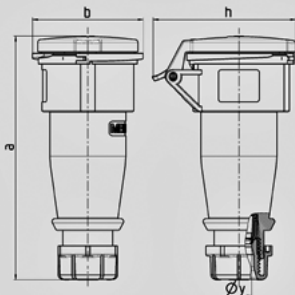
## Connector AM-TOP® - Part no. 2517



- screw terminals
- single part body
- cable gland and sealing
- strain relief and protection against kinking

### Technical information

Ampere	16 A
Poles	3 p
Voltage	>50-500 V
Earth position	2 h
Hertz	>300-500 Hz
Connection technology	Screw terminals
Contact	standard
Protection type	IP 44



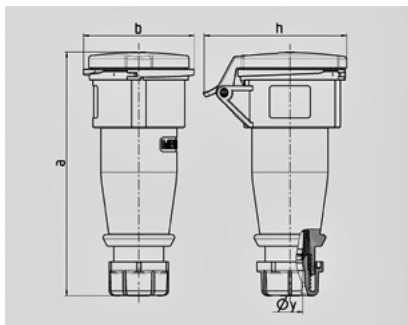
Drawing 3 MB 63	Amp. Poles	16			32		
		3	4	5	3	4	5
Dim. in mm	a	162	165	167	209	209	208
	b	60	68	76	82	82	89
	h	83	92	98	100	100	108
	y	14,5	16	16	22	22	22
Terminal for cond. cross		1	1	1	2,5	2,5	2,5
section (mm²) min.-max.		—2,5	—2,5	—2,5	—6	—6	—6

## Connector AM-TOP® - Part no. 2245



- screw terminals
- single part body
- cable gland and sealing
- strain relief and protection against kinking

Technical information	
Ampere	32 A
Poles	5 p
Voltage	>50-500 V
Earth position	10 h
Hertz	100-300 Hz
Connection technology	Screw terminals
Contact	standard
Protection type	IP 44



Drawing 3 MB 63	Amp. Poles	16			32		
		3	4	5	3	4	5
Dim. in mm	a	162	165	167	209	209	208
	b	60	68	76	82	82	89
	h	83	92	98	100	100	108
	y	14,5	16	16	22	22	22
Terminal for cond. cross		1	1	1	2,5	2,5	2,5
section (mm²) min.-max.		—2,5	—2,5	—2,5	—6	—6	—6

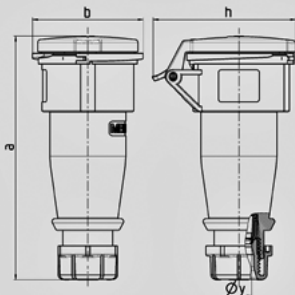
## Connector AM-TOP® - Part no. 528



- screw terminals
- single part body
- cable gland and sealing
- strain relief and protection against kinking

### Technical information

Ampere	32 A
Poles	4 p
Voltage	>50-500 V
Earth position	10 h
Hertz	100-300 Hz
Connection technology	Screw terminals
Contact	standard
Protection type	IP 44



Drawing 3 MB 63	Amp. Poles	16			32		
		3	4	5	3	4	5
Dim. in mm	a	162	165	167	209	209	208
	b	60	68	76	82	82	89
	h	83	92	98	100	100	108
	y	14,5	16	16	22	22	22
Terminal for cond. cross		1	1	1	2,5	2,5	2,5
section (mm <sup>2</sup> ) min.-max.		—2,5	—2,5	—2,5	—6	—6	—6



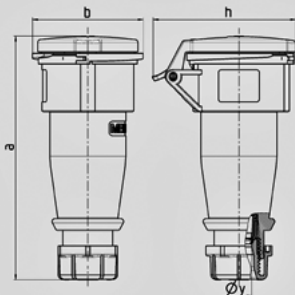
## Connector AM-TOP® - Part no. 2196



- screw terminals
- single part body
- cable gland and sealing
- strain relief and protection against kinking

### Technical information

Ampere	32 A
Poles	3 p
Voltage	>50-500 V
Earth position	10 h
Hertz	100-300 Hz
Connection technology	Screw terminals
Contact	standard
Protection type	IP 44



Drawing 3 MB 63	Amp. Poles	16			32		
		3	4	5	3	4	5
Dim. in mm	a	162	165	167	209	209	208
	b	60	68	76	82	82	89
	h	83	92	98	100	100	108
	y	14,5	16	16	22	22	22
Terminal for cond. cross		1	1	1	2,5	2,5	2,5
section (mm <sup>2</sup> ) min.-max.		—2,5	—2,5	—2,5	—6	—6	—6

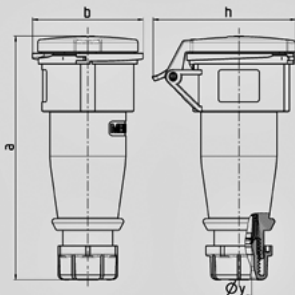
## Connector AM-TOP® - Part no. 2193



- screw terminals
- single part body
- cable gland and sealing
- strain relief and protection against kinking

### Technical information

Ampere	16 A
Poles	5 p
Voltage	>50-500 V
Earth position	10 h
Hertz	100-300 Hz
Connection technology	Screw terminals
Contact	standard
Protection type	IP 44



Drawing 3 MB 63	Amp. Poles	16			32		
		3	4	5	3	4	5
Dim. in mm	a	162	165	167	209	209	208
	b	60	68	76	82	82	89
	h	83	92	98	100	100	108
	y	14,5	16	16	22	22	22
Terminal for cond. cross		1	1	1	2,5	2,5	2,5
section (mm <sup>2</sup> ) min.-max.		—2,5	—2,5	—2,5	—6	—6	—6

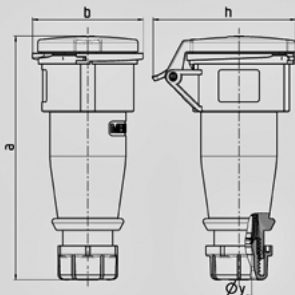
## Connector AM-TOP® - Part no. 516



- screw terminals
- single part body
- cable gland and sealing
- strain relief and protection against kinking

### Technical information

Ampere	16 A
Poles	4 p
Voltage	>50-500 V
Earth position	10 h
Hertz	100-300 Hz
Connection technology	Screw terminals
Contact	standard
Protection type	IP 44



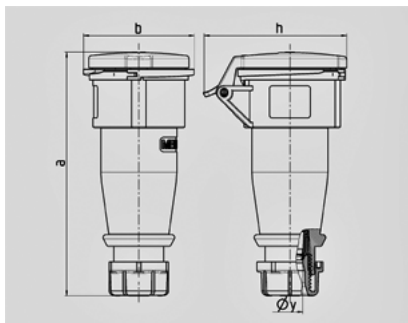
Drawing 3 MB 63	Amp. Poles	16			32		
		3	4	5	3	4	5
Dim. in mm	a	162	165	167	209	209	208
	b	60	68	76	82	82	89
	h	83	92	98	100	100	108
	y	14,5	16	16	22	22	22
Terminal for cond. cross		1	1	1	2,5	2,5	2,5
section (mm²) min.-max.		—2,5	—2,5	—2,5	—6	—6	—6

## Connector AM-TOP® - Part no. 2441



- screw terminals
- single part body
- cable gland and sealing
- strain relief and protection against kinking

Technical information	
Ampere	16 A
Poles	3 p
Voltage	>50-500 V
Earth position	10 h
Hertz	100-300 Hz
Connection technology	Screw terminals
Contact	standard
Protection type	IP 44



Drawing 3 MB 63	Amp. Poles	16			32		
		3	4	5	3	4	5
Dim. in mm	a	162	165	167	209	209	208
	b	60	68	76	82	82	89
	h	83	92	98	100	100	108
	y	14,5	16	16	22	22	22
Terminal for cond. cross		1	1	1	2,5	2,5	2,5
section (mm <sup>2</sup> ) min.-max.		—2,5	—2,5	—2,5	—6	—6	—6

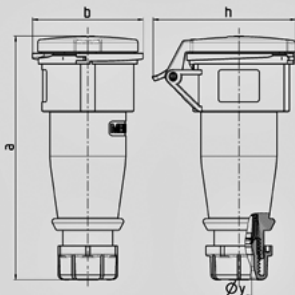
## Connector AM-TOP® - Part no. 2027



- screw terminals
- single part body
- cable gland and sealing
- strain relief and protection against kinking

### Technical information

Ampere	32 A
Poles	5 p
Voltage	500 V
Earth position	7 h
Hertz	50-60 Hz
Connection technology	Screw terminals
Contact	standard
Protection type	IP 44



Drawing 3 MB 63	Amp. Poles	16			32		
		3	4	5	3	4	5
Dim. in mm	a	162	165	167	209	209	208
	b	60	68	76	82	82	89
	h	83	92	98	100	100	108
	y	14,5	16	16	22	22	22
Terminal for cond. cross		1	1	1	2,5	2,5	2,5
section (mm²) min.-max.		—2,5	—2,5	—2,5	—6	—6	—6

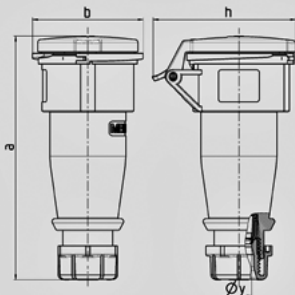
## Connector AM-TOP® - Part no. 527



- screw terminals
- single part body
- cable gland and sealing
- strain relief and protection against kinking

### Technical information

Ampere	32 A
Poles	4 p
Voltage	500 V
Earth position	7 h
Hertz	50-60 Hz
Connection technology	Screw terminals
Contact	standard
Protection type	IP 44



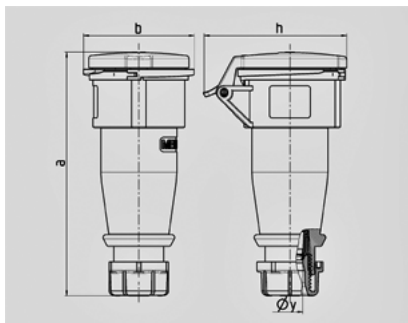
Drawing 3 MB 63	Amp. Poles	16			32		
		3	4	5	3	4	5
Dim. in mm	a	162	165	167	209	209	208
	b	60	68	76	82	82	89
	h	83	92	98	100	100	108
	y	14,5	16	16	22	22	22
Terminal for cond. cross		1	1	1	2,5	2,5	2,5
section (mm <sup>2</sup> ) min.-max.		—2,5	—2,5	—2,5	—6	—6	—6

## Connector AM-TOP® - Part no. 2026



- screw terminals
- single part body
- cable gland and sealing
- strain relief and protection against kinking

Technical information	
Ampere	16 A
Poles	5 p
Voltage	500 V
Earth position	7 h
Hertz	50-60 Hz
Connection technology	Screw terminals
Contact	standard
Protection type	IP 44



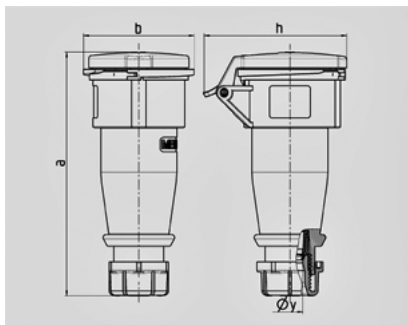
Drawing 3 MB 63	Amp. Poles	16			32		
		3	4	5	3	4	5
Dim. in mm	a	162	165	167	209	209	208
	b	60	68	76	82	82	89
	h	83	92	98	100	100	108
	y	14,5	16	16	22	22	22
Terminal for cond. cross		1	1	1	2,5	2,5	2,5
section (mm²) min.-max.		—2,5	—2,5	—2,5	—6	—6	—6

## Connector AM-TOP® - Part no. 515



- screw terminals
- single part body
- cable gland and sealing
- strain relief and protection against kinking

Technical information	
Ampere	16 A
Poles	4 p
Voltage	500 V
Earth position	7 h
Hertz	50-60 Hz
Connection technology	Screw terminals
Contact	standard
Protection type	IP 44



Drawing 3 MB 63	Amp. Poles	16			32		
		3	4	5	3	4	5
Dim. in mm	a	162	165	167	209	209	208
	b	60	68	76	82	82	89
	h	83	92	98	100	100	108
	y	14,5	16	16	22	22	22
Terminal for cond. cross		1	1	1	2,5	2,5	2,5
section (mm²) min.-max.		—2,5	—2,5	—2,5	—6	—6	—6



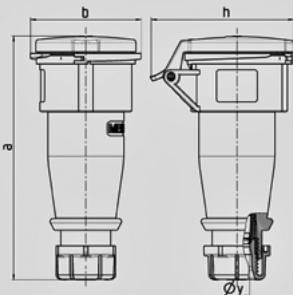
## Connector AM-TOP® - Part no. 6



- screw terminals
- single part body
- cable gland and sealing
- strain relief and protection against kinking

### Technical information

Ampere	32 A
Poles	5 p
Voltage	400 V
Earth position	6 h
Hertz	50-60 Hz
Connection technology	Screw terminals
Contact	standard
Protection type	IP 44



Drawing 3 MB 63	Amp. Poles	16			32		
		3	4	5	3	4	5
Dim. in mm	a	162	165	167	209	209	208
	b	60	68	76	82	82	89
	h	83	92	98	100	100	108
	y	14,5	16	16	22	22	22
Terminal for cond. cross		1	1	1	2,5	2,5	2,5
section (mm <sup>2</sup> ) min.-max.		—2,5	—2,5	—2,5	—6	—6	—6

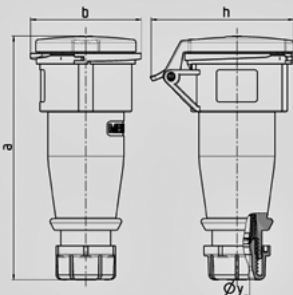
## Connector AM-TOP® - Part no. 526



- screw terminals
- single part body
- cable gland and sealing
- strain relief and protection against kinking

### Technical information

Ampere	32 A
Poles	4 p
Voltage	400 V
Earth position	6 h
Hertz	50-60 Hz
Connection technology	Screw terminals
Contact	standard
Protection type	IP 44



Drawing 3 MB 63	Amp. Poles	16			32		
		3	4	5	3	4	5
Dim. in mm	a	162	165	167	209	209	208
	b	60	68	76	82	82	89
	h	83	92	98	100	100	108
	y	14,5	16	16	22	22	22
Terminal for cond. cross		1	1	1	2,5	2,5	2,5
section (mm²) min.-max.		—2,5	—2,5	—2,5	—6	—6	—6

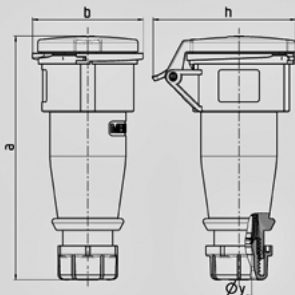
## Connector AM-TOP® - Part no. 523



- screw terminals
- single part body
- cable gland and sealing
- strain relief and protection against kinking

### Technical information

Ampere	32 A
Poles	3 p
Voltage	400 V
Earth position	9 h
Hertz	50-60 Hz
Connection technology	Screw terminals
Contact	standard
Protection type	IP 44



Drawing 3 MB 63	Amp. Poles	16			32		
		3	4	5	3	4	5
Dim. in mm	a	162	165	167	209	209	208
	b	60	68	76	82	82	89
	h	83	92	98	100	100	108
	y	14,5	16	16	22	22	22
Terminal for cond. cross		1	1	1	2,5	2,5	2,5
section (mm <sup>2</sup> ) min.-max.		—2,5	—2,5	—2,5	—6	—6	—6

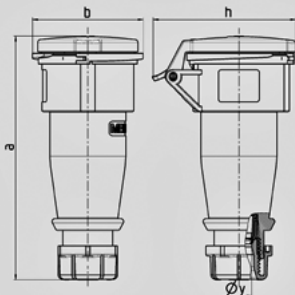
## Connector AM-TOP® - Part no. 5



- screw terminals
- single part body
- cable gland and sealing
- strain relief and protection against kinking

### Technical information

Ampere	16 A
Poles	5 p
Voltage	400 V
Earth position	6 h
Hertz	50-60 Hz
Connection technology	Screw terminals
Contact	standard
Protection type	IP 44



Drawing 3 MB 63	Amp. Poles	16			32		
		3	4	5	3	4	5
Dim. in mm	a	162	165	167	209	209	208
	b	60	68	76	82	82	89
	h	83	92	98	100	100	108
	y	14,5	16	16	22	22	22
Terminal for cond. cross		1	1	1	2,5	2,5	2,5
section (mm²) min.-max.		—2,5	—2,5	—2,5	—6	—6	—6

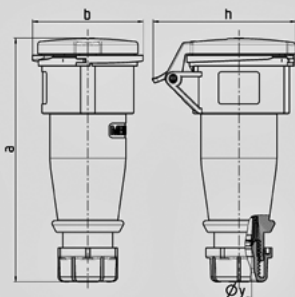
## Connector AM-TOP® - Part no. 514



- screw terminals
- single part body
- cable gland and sealing
- strain relief and protection against kinking

### Technical information

Ampere	16 A
Poles	4 p
Voltage	400 V
Earth position	6 h
Hertz	50-60 Hz
Connection technology	Screw terminals
Contact	standard
Protection type	IP 44



Drawing 3 MB 63	Amp. Poles	16			32		
		3	4	5	3	4	5
Dim. in mm	a	162	165	167	209	209	208
	b	60	68	76	82	82	89
	h	83	92	98	100	100	108
	y	14,5	16	16	22	22	22
Terminal for cond. cross		1	1	1	2,5	2,5	2,5
section (mm <sup>2</sup> ) min.-max.		—2,5	—2,5	—2,5	—6	—6	—6

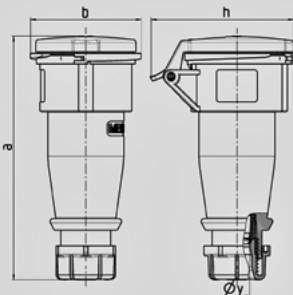
## Connector AM-TOP® - Part no. 511



- screw terminals
- single part body
- cable gland and sealing
- strain relief and protection against kinking

### Technical information

Ampere	16 A
Poles	3 p
Voltage	400 V
Earth position	9 h
Hertz	50-60 Hz
Connection technology	Screw terminals
Contact	standard
Protection type	IP 44



Drawing 3 MB 63	Amp. Poles	16			32		
		3	4	5	3	4	5
Dim. in mm	a	162	165	167	209	209	208
	b	60	68	76	82	82	89
	h	83	92	98	100	100	108
	y	14,5	16	16	22	22	22
Terminal for cond. cross		1	1	1	2,5	2,5	2,5
section (mm²) min.-max.		—2,5	—2,5	—2,5	—6	—6	—6

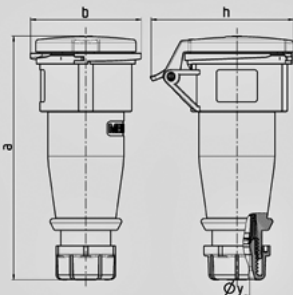
## Connector AM-TOP® - Part no. 531



- screw terminals
- single part body
- cable gland and sealing
- strain relief and protection against kinking

### Technical information

Ampere	32 A
Poles	5 p
Voltage	230 V
Earth position	9 h
Hertz	50-60 Hz
Connection technology	Screw terminals
Contact	standard
Protection type	IP 44



Drawing 3 MB 63	Amp. Poles	16			32		
		3	4	5	3	4	5
Dim. in mm	a	162	165	167	209	209	208
	b	60	68	76	82	82	89
	h	83	92	98	100	100	108
	y	14,5	16	16	22	22	22
Terminal for cond. cross		1	1	1	2,5	2,5	2,5
section (mm <sup>2</sup> ) min.-max.		—2,5	—2,5	—2,5	—6	—6	—6

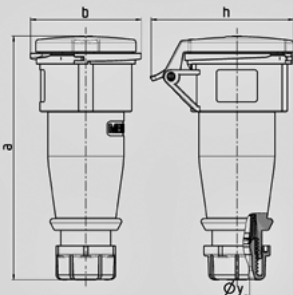
## Connector AM-TOP® - Part no. 525



- screw terminals
- single part body
- cable gland and sealing
- strain relief and protection against kinking

### Technical information

Ampere	32 A
Poles	4 p
Voltage	230 V
Earth position	9 h
Hertz	50-60 Hz
Connection technology	Screw terminals
Contact	standard
Protection type	IP 44



Drawing 3 MB 63	Amp. Poles	16			32		
		3	4	5	3	4	5
Dim. in mm	a	162	165	167	209	209	208
	b	60	68	76	82	82	89
	h	83	92	98	100	100	108
	y	14,5	16	16	22	22	22
Terminal for cond. cross		1	1	1	2,5	2,5	2,5
section (mm²) min.-max.		—2,5	—2,5	—2,5	—6	—6	—6

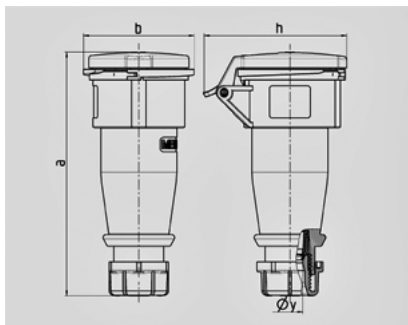


## Connector AM-TOP® - Part no. 522



- screw terminals
- single part body
- cable gland and sealing
- strain relief and protection against kinking

Technical information	
Ampere	32 A
Poles	3 p
Voltage	230 V
Earth position	6 h
Hertz	50-60 Hz
Connection technology	Screw terminals
Contact	standard
Protection type	IP 44



Drawing 3 MB 63	Amp. Poles	16			32		
		3	4	5	3	4	5
Dim. in mm	a	162	165	167	209	209	208
	b	60	68	76	82	82	89
	h	83	92	98	100	100	108
	y	14,5	16	16	22	22	22
Terminal for cond. cross		1	1	1	2,5	2,5	2,5
section (mm²) min.-max.		—2,5	—2,5	—2,5	—6	—6	—6

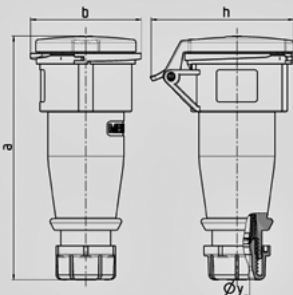
## Connector AM-TOP® - Part no. 519



- screw terminals
- single part body
- cable gland and sealing
- strain relief and protection against kinking

### Technical information

Ampere	16 A
Poles	5 p
Voltage	230 V
Earth position	9 h
Hertz	50-60 Hz
Connection technology	Screw terminals
Contact	standard
Protection type	IP 44



Drawing 3 MB 63	Amp. Poles	16			32		
		3	4	5	3	4	5
Dim. in mm	a	162	165	167	209	209	208
	b	60	68	76	82	82	89
	h	83	92	98	100	100	108
	y	14,5	16	16	22	22	22
Terminal for cond. cross		1	1	1	2,5	2,5	2,5
section (mm²) min.-max.		—2,5	—2,5	—2,5	—6	—6	—6

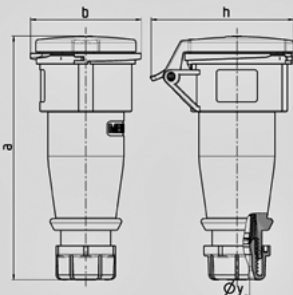
## Connector AM-TOP® - Part no. 513



- screw terminals
- single part body
- cable gland and sealing
- strain relief and protection against kinking

### Technical information

Ampere	16 A
Poles	4 p
Voltage	230 V
Earth position	9 h
Hertz	50-60 Hz
Connection technology	Screw terminals
Contact	standard
Protection type	IP 44



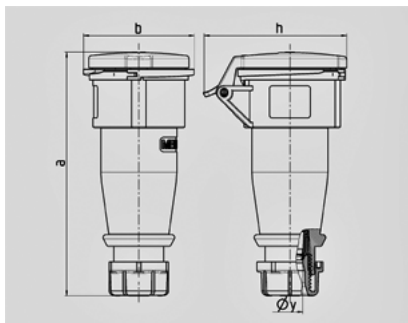
Drawing 3 MB 63	Amp. Poles	16			32		
		3	4	5	3	4	5
Dim. in mm	a	162	165	167	209	209	208
	b	60	68	76	82	82	89
	h	83	92	98	100	100	108
	y	14,5	16	16	22	22	22
Terminal for cond. cross		1	1	1	2,5	2,5	2,5
section (mm²) min.-max.		—2,5	—2,5	—2,5	—6	—6	—6

## Connector AM-TOP® - Part no. 510



- screw terminals
- single part body
- cable gland and sealing
- strain relief and protection against kinking

Technical information	
Ampere	16 A
Poles	3 p
Voltage	230 V
Earth position	6 h
Hertz	50-60 Hz
Connection technology	Screw terminals
Contact	standard
Protection type	IP 44



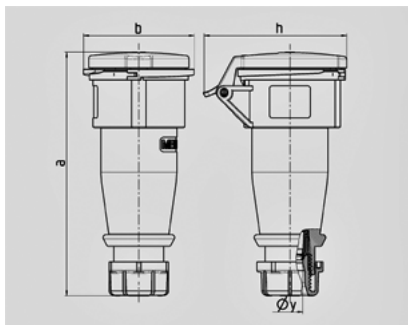
Drawing 3 MB 63	Amp. Poles	16			32		
		3	4	5	3	4	5
Dim. in mm	a	162	165	167	209	209	208
	b	60	68	76	82	82	89
	h	83	92	98	100	100	108
	y	14,5	16	16	22	22	22
Terminal for cond. cross		1	1	1	2,5	2,5	2,5
section (mm²) min.-max.		—2,5	—2,5	—2,5	—6	—6	—6

## Connector AM-TOP® - Part no. 530



- screw terminals
- single part body
- cable gland and sealing
- strain relief and protection against kinking

Technical information	
Ampere	32 A
Poles	5 p
Voltage	110 V
Earth position	4 h
Hertz	50-60 Hz
Connection technology	Screw terminals
Contact	standard
Protection type	IP 44



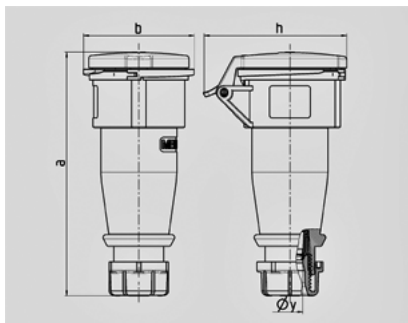
Drawing 3 MB 63	Amp. Poles	16			32		
		3	4	5	3	4	5
Dim. in mm	a	162	165	167	209	209	208
	b	60	68	76	82	82	89
	h	83	92	98	100	100	108
	y	14,5	16	16	22	22	22
Terminal for cond. cross		1	1	1	2,5	2,5	2,5
section (mm²) min.-max.		—2,5	—2,5	—2,5	—6	—6	—6

## Connector AM-TOP® - Part no. 524



- screw terminals
- single part body
- cable gland and sealing
- strain relief and protection against kinking

Technical information	
Ampere	32 A
Poles	4 p
Voltage	110 V
Earth position	4 h
Hertz	50-60 Hz
Connection technology	Screw terminals
Contact	standard
Protection type	IP 44



Drawing 3 MB 63	Amp. Poles	16			32		
		3	4	5	3	4	5
Dim. in mm	a	162	165	167	209	209	208
	b	60	68	76	82	82	89
	h	83	92	98	100	100	108
	y	14,5	16	16	22	22	22
Terminal for cond. cross		1	1	1	2,5	2,5	2,5
section (mm²) min.-max.		—2,5	—2,5	—2,5	—6	—6	—6

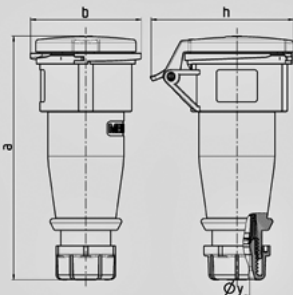
## Connector AM-TOP® - Part no. 521



- screw terminals
- single part body
- cable gland and sealing
- strain relief and protection against kinking

### Technical information

Ampere	32 A
Poles	3 p
Voltage	110 V
Earth position	4 h
Hertz	50-60 Hz
Connection technology	Screw terminals
Contact	standard
Protection type	IP 44



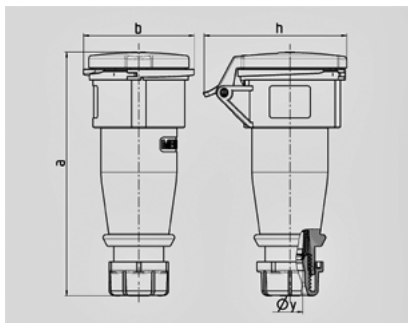
Drawing 3 MB 63	Amp. Poles	16			32		
		3	4	5	3	4	5
Dim. in mm	a	162	165	167	209	209	208
	b	60	68	76	82	82	89
	h	83	92	98	100	100	108
	y	14,5	16	16	22	22	22
Terminal for cond. cross		1	1	1	2,5	2,5	2,5
section (mm <sup>2</sup> ) min.-max.		—2,5	—2,5	—2,5	—6	—6	—6

## Connector AM-TOP® - Part no. 518



- screw terminals
- single part body
- cable gland and sealing
- strain relief and protection against kinking

Technical information	
Ampere	16 A
Poles	5 p
Voltage	110 V
Earth position	4 h
Hertz	50-60 Hz
Connection technology	Screw terminals
Contact	standard
Protection type	IP 44



Drawing 3 MB 63	Amp. Poles	16			32		
		3	4	5	3	4	5
Dim. in mm	a	162	165	167	209	209	208
	b	60	68	76	82	82	89
	h	83	92	98	100	100	108
	y	14,5	16	16	22	22	22
Terminal for cond. cross		1	1	1	2,5	2,5	2,5
section (mm²) min.-max.		—2,5	—2,5	—2,5	—6	—6	—6



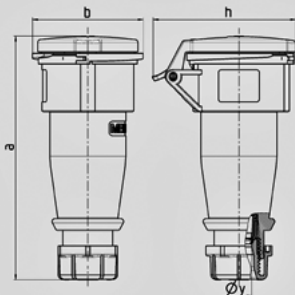
## Connector AM-TOP® - Part no. 512



- screw terminals
- single part body
- cable gland and sealing
- strain relief and protection against kinking

### Technical information

Ampere	16 A
Poles	4 p
Voltage	110 V
Earth position	4 h
Hertz	50-60 Hz
Connection technology	Screw terminals
Contact	standard
Protection type	IP 44



Drawing 3 MB 63	Amp. Poles	16			32		
		3	4	5	3	4	5
Dim. in mm	a	162	165	167	209	209	208
	b	60	68	76	82	82	89
	h	83	92	98	100	100	108
	y	14,5	16	16	22	22	22
Terminal for cond. cross		1	1	1	2,5	2,5	2,5
section (mm²) min.-max.		—2,5	—2,5	—2,5	—6	—6	—6

## Connector AM-TOP®

Part no. 509

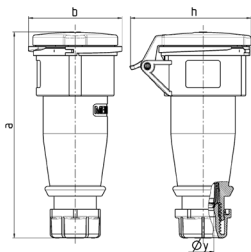


- screw terminals
- single part body
- cable gland and sealing
- strain relief and protection against kinking

## Technical specifications

Ampere	16 A
Poles	3 p
Voltage	110 V
Clock position	4 h
Hertz	50-60 Hz
Connection technology	Screw terminals
Contact	standard
Protection type	IP 44
Weight	174 g
Declaration of Conformity	VDE, EAC, CQC

## Drawing



Drawing 3 MB 63	Amp. Poles	16			32		
		3	4	5	3	4	5
Dim. in mm	a	162	165	167	209	209	208
	b	60	68	76	82	82	89
	h	83	92	98	100	100	108
	y	14.5	16	16	22	22	22
Terminal for cond. cross		1	1	1	2.5	2.5	2.5
section (mm <sup>2</sup> ) min.-max.		-2.5	-2.5	-2.5	-6	-6	-6