



These marks indicate that a product has successfully passed IP65-level testing, which is carried out by the independent German certification organization TÜV Rheinland.



www.tuv.com
ID: 000000131

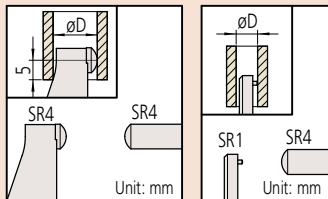
IP Codes (series 395)

Level 6: Dust-proof.

No ingress of dust allowed.

Level 5: Protected against water jets.

Water projected in jets against the enclosure from any direction shall have no harmful effects.



Other than 115-201

115-201

Technical Data

- Battery for **series 395**
SR44 (1 pc.), **938882**, for initial operational checks (standard accessory)
- Battery life: Approx. 2.4 years under normal use (for **series 395**)
- Length standard: Electromagnetic rotary sensor (for **series 395**)
- Standard accessories: Reference bar, 1 pc. (except for measuring range 0 to 15 mm/0 to 25 mm (0 to 1 in) models)
Spanner (**200168**), 1 pc. (for **series 115-201**)
Spanner (**301336**), 1 pc. (for models other than **series 115-201**)

Optional Accessories

- Connecting cables for **series 395**
1 m: **05CZA662**
2 m: **05CZA663**
- USB Input Tool Direct
USB-ITN-B (2 m): **06AFM380B**
- U-WAVE-T** dedicated connection cable
160 mm: **02AZD790B**
For foot switch: **02AZE140B**
Refer to page A-27 for details.

Wireless Data Output U-WAVE™

- U-WAVE-TM 264-622** (IP67 type)
264-623 (Buzzer type)
- U-WAVE-TMB** Transmitter
Mitutoyo Bluetooth® U-WAVE 264-626 (IP type)
264-627 (Buzzer type)
Refer to page A-16 for details.
- Connecting unit for **U-WAVE-TM/TMB 02AZF310** (IP67/buzzer type common specification)
Refer to pages A-16 and A-18 for details.

Tube Micrometers SERIES 395, 115, 295 — Spherical Anvil and Spindle Type

- Measuring faces: Carbide.
(**115-201**: only the spindle is carbide tipped.)
- series 395**: IP65 spherical anvil and spindle type digital micrometer.
- Equipped with Ratchet Stop for constant measuring force.



SPECIFICATIONS

Metric				
Order No.	Range (mm)	Resolution (mm)	Maximum permissible error J_{MPE} (μ m)	ϕ D
Digimatic (LCD)				
395-271-30	0 - 25	0.001	± 2	$\phi 15$
395-272-30	25 - 50			
395-273-30	50 - 75			
395-274-30	75 - 100			

Metric				
Order No.	Range (mm)	Graduation (mm)	Maximum permissible error J_{MPE} (μ m)	ϕ D
Analog				
115-201	0 - 15	0.01	± 3	$\phi 5.5$
115-215	0 - 25			$\phi 10$
115-216	25 - 50			$\phi 11$
115-217	50 - 75			$\phi 17$
115-218	75 - 100			$\phi 18$
295-215	0 - 25			± 4
Mechanical counter model				
295-215	0 - 25	0.01	± 3	$\phi 10$

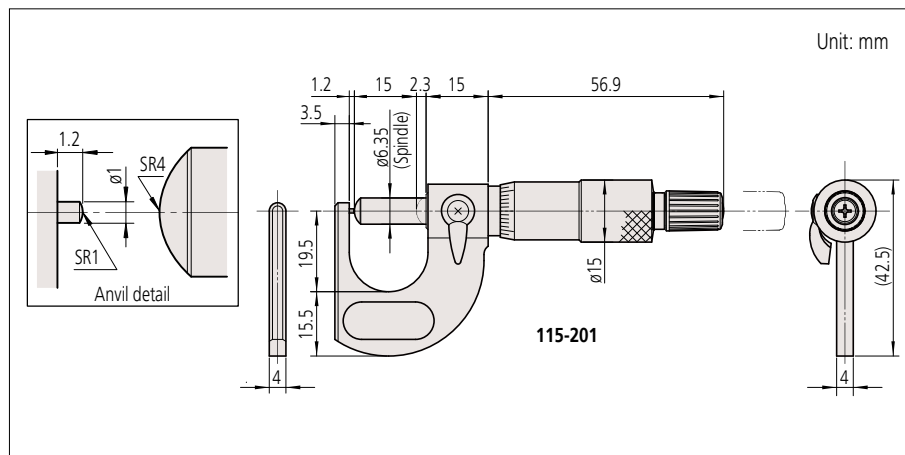
Inch/Metric				
Order No.	Range (in)	Resolution	Maximum permissible error J_{MPE} (in)	ϕ D (in)
Digimatic (LCD)				
395-371-30	0 - 1	0.00005 in/ 0.001 mm	± 0.0001	$\phi 0.59$
395-372-30	1 - 2			
395-373-30	2 - 3			
395-374-30	3 - 4			

Inch				
Order No.	Range (in)	Graduation (in)	Maximum permissible error J_{MPE} (in)	ϕ D (in)
Analog				
115-253	0 - 1	0.0001	± 0.00015	$\phi 0.40$
115-242	1 - 2	0.001		$\phi 0.44$
115-243	2 - 3			$\phi 0.67$
Mechanical counter model				
295-253	0 - 1	0.0001	± 0.00015	$\phi 0.40$

Note: For functional details of **series 395** refer to page B-8.

Optional connecting cable is available only for water-proof type (Digimatic model).

DIMENSIONS



B